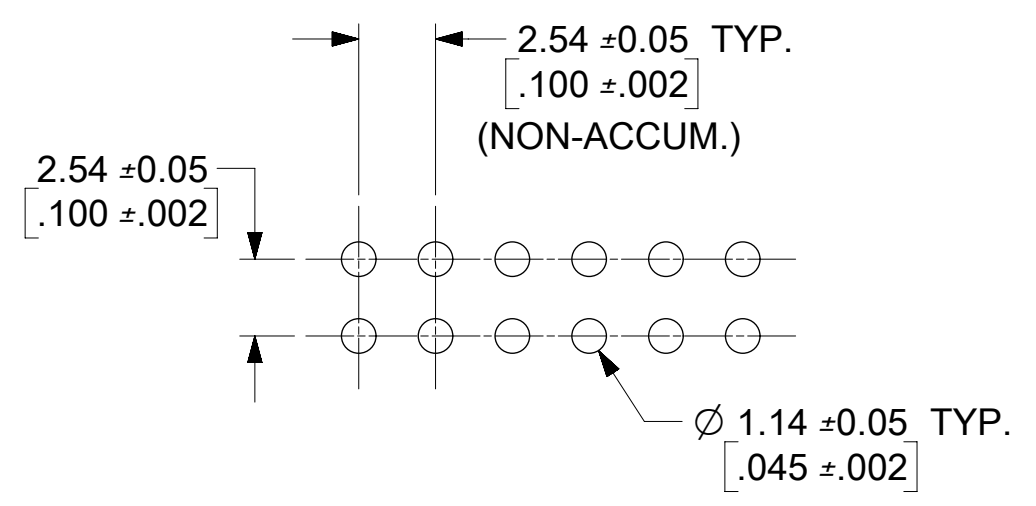
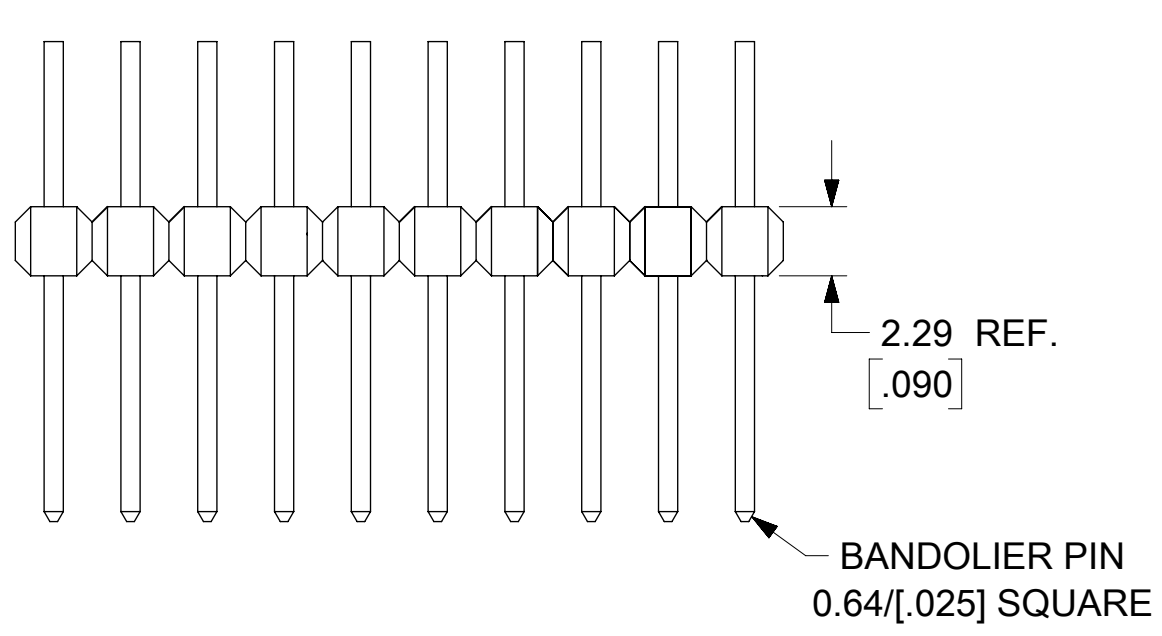
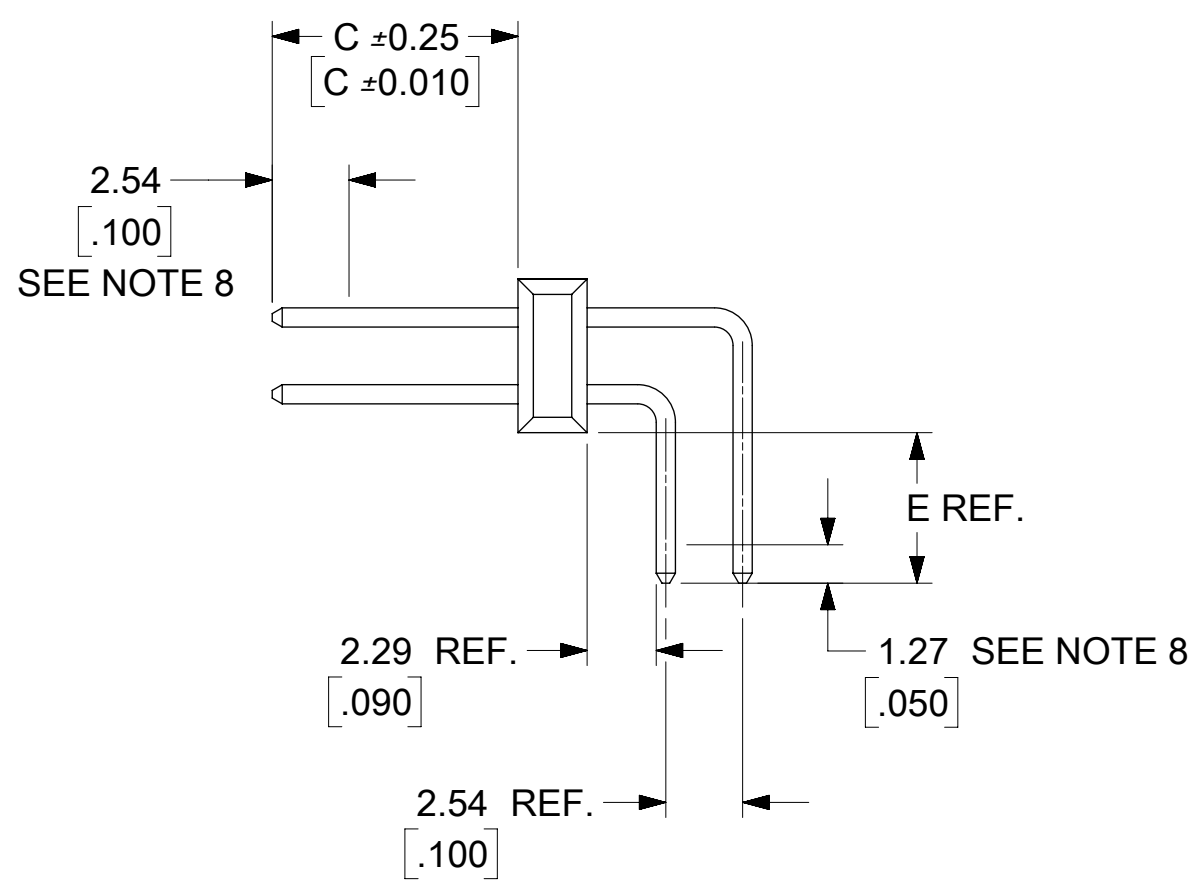
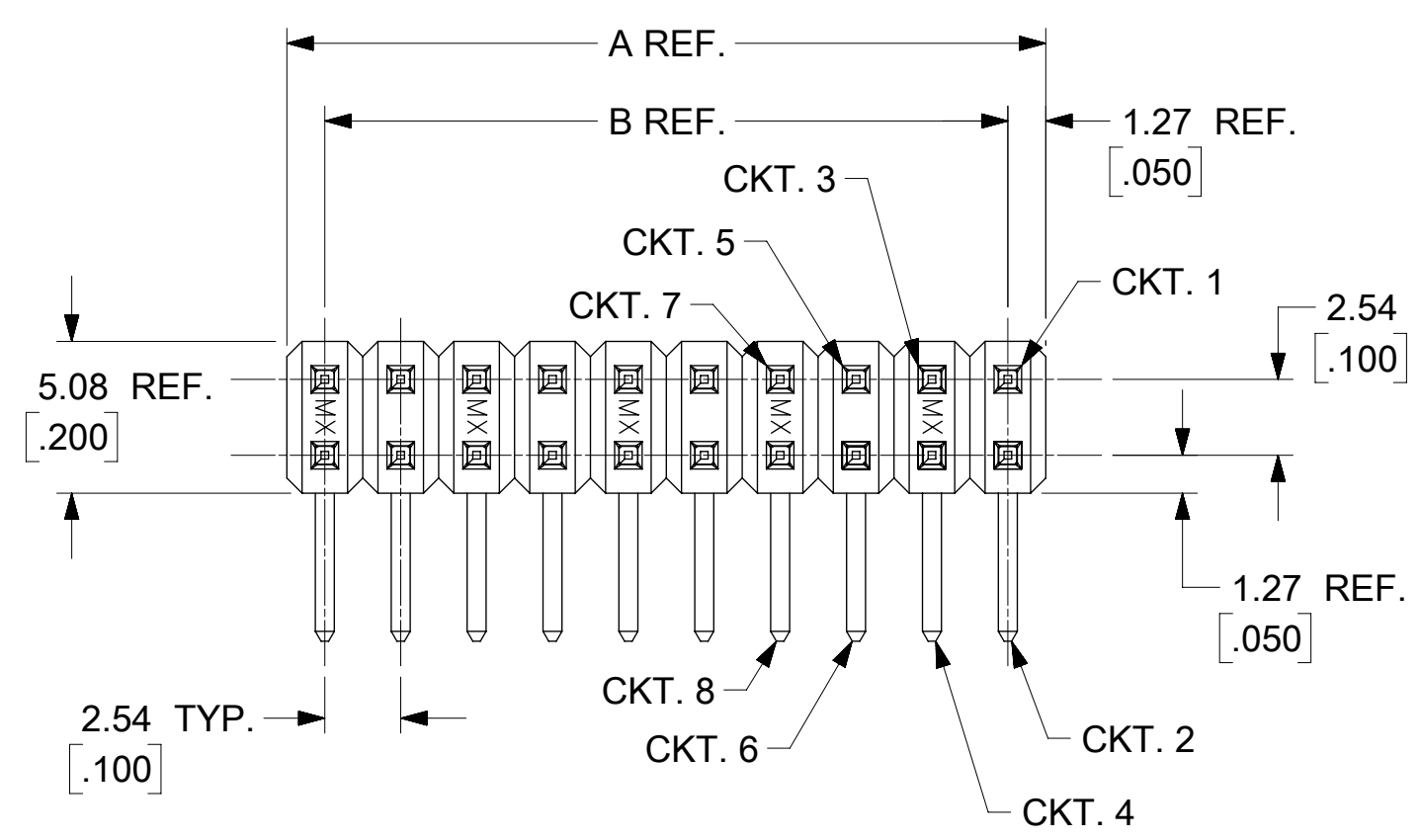


CKTS	A	B
04	5.08/[.200]	2.54/[.100]
06	7.62/[.300]	5.08/[.200]
08	10.16/[.400]	7.62/[.300]
10	12.70/[.500]	10.16/[.400]
12	15.24/[.600]	12.70/[.500]
14	17.78/[.700]	15.24/[.600]
16	20.32/[.800]	17.78/[.700]
18	22.86/[.900]	20.32/[.800]
20	25.40/[1.000]	22.86/[.900]
22	27.94/[1.100]	25.40/[1.000]
24	30.48/[1.200]	27.94/[1.100]
26	33.02/[1.300]	30.48/[1.200]
28	35.56/[1.400]	33.02/[1.300]
30	38.10/[1.500]	35.56/[1.400]



RECOMMENDED P.C. BOARD HOLE LAYOUT



- NOTES:
- MATERIAL: WAFER - HIGH TEMPERATURE THERMAL PLASTIC, 94V-0; COLOR: BLACK  
PIN - COPPER ALLOY
  - PLATING:  
TIN - 0.00381/[.000150] MINIMUM TIN PLATE OVER NICKEL PLATE.  
15 GOLD - 0.00038/[.000015] MINIMUM GOLD PLATE IN SELECT AREA, 0.00191/[.000075] MINIMUM TIN PLATE IN SELECT AREA, OVER NICKEL PLATE OVERALL.  
30 GOLD - 0.00076/[.000030] MINIMUM GOLD PLATE IN SELECT AREA, 0.00191/[.000075] MINIMUM TIN PLATE IN SELECT AREA, OVER NICKEL PLATE OVERALL.  
\* THE PRIMARY SHIPPING CARTON WILL BE LABELED "COMPLIANT TO RoHS DIRECTIVE 2002/95/EC AND ELV ANNEX II OF DIRECTIVE 2000/53/EC". CARTONS WITHOUT THIS LABEL MAY CONTAIN PRODUCT WITH LEAD.
  - PRODUCT CONFORMS TO PS-71764.
  - PACKAGING INFORMATION:  
FOR 4 THRU 8 CIRCUIT PARTS USE PK-70873-0353  
FOR 10 CIRCUITS AND OVER USE PK-70873-0075
  - FOR ILLUSTRATION PURPOSES, 20 (DUAL 10) CIRCUIT SIZE IS SHOWN.
  - PINS MUST MEET SOLDERABILITY SPEC. ES-152, EXCEPT VOIDS ARE PERMISSIBLE AT BANDOLIER PIN AT BANDOLIER PIN FAYING SURFACE. (APPROX. 0.64/[.025] LNG X 0.15/[.006] WD. REF.) 2 LOCATIONS
  - WAFER TO BE FLAT WITHIN 0.03 MM/CM OR [.003 IN./IN]
  - MEASURE POINT FOR PLATING THICKNESS.
  - THIS PART CONFORMS TO CLASS B REQUIREMENTS OF COSMETIC SPECIFICATION PS-45499-002

THIS DRAWING CONTAINS INFORMATION THAT IS PROPRIETARY TO MOLEX ELECTRONIC TECHNOLOGIES, LLC AND SHOULD NOT BE USED WITHOUT WRITTEN PERMISSION									
DIMENSION UNITS		SCALE		CURRENT REV DESC: MIGRATED TO NX					
MM/INCH		4:1		<p>DUAL ROW WAFER ASS'Y W/BREAK-OFF OPTION RT. ANG. (0.64)/.025 SQ PINS</p> <p>PRODUCT CUSTOMER DRAWING</p> <p>DOCUMENT NUMBER: SD-71764-001   DOC TYPE: PSD   DOC PART: 001   REVISION: A3</p> <p>MATERIAL NUMBER: SEE TABLE   CUSTOMER: GENERAL MARKET   SHEET NUMBER: 1 OF 3</p>					
GENERAL TOLERANCES (UNLESS SPECIFIED)									
		MM	INCH						
4 PLACES	±								
3 PLACES	±		± 0.01						
2 PLACES	±	0.25	± 0.01						
1 PLACE	±	0.25							
0 PLACES	±								
ANGULAR TOL ± 0.5 °				INITIAL REVISION:					
DRAFT WHERE APPLICABLE MUST REMAIN WITHIN DIMENSIONS				THIRD ANGLE PROJECTION		DRAWING		SERIES	
						C-SIZE		71764	

ITEM NO: 71764-0004/0030, 9003		
DIM. C	6.10/[.240]	
DIM. E (REF.)	2.79/[.110]	
FINISH	TIN	
CONNECTOR END PLATING	TIN	
P.C. BOARD END PLATING	TIN	
PACKAGING	SEE NOTE 4 SHEET 1	
CKTS	ITEM NUMBER	VOIDS
04	71764-0004	
06	71764-0006	
08	71764-0008	
10	71764-0010	
12	71764-0012	
14	71764-0014	
16	71764-0016	
18	71764-0018	
20	71764-0020	
22	71764-0022	
24	71764-0024	
26	71764-0026	
28	71764-0028	
30	71764-0030	
06	71764-9003	3

ITEM NO: 71764-0104/0130, 9001, 9004		
DIM. C	6.10/[.240]	
DIM. E (REF.)	2.79/[.110]	
FINISH	15 GOLD	
CONNECTOR END PLATING	GOLD	
P.C. BOARD END PLATING	TIN	
PACKAGING	SEE NOTE 4 SHEET 1	
CKTS	ITEM NUMBER	VOIDS
04	71764-0104	
06	71764-0106	
08	71764-0108	
10	71764-0110	
12	71764-0112	
14	71764-0114	
16	71764-0116	
18	71764-0118	
20	71764-0120	
22	71764-0122	
24	71764-0124	
26	71764-0126	
28	71764-0128	
30	71764-0130	
06	71764-9001	3, 4
08	71764-9004	5, 6

ITEM NO: 71764-0204/0230, 9000, 9002		
DIM. C	6.10/[.240]	
DIM. E (REF.)	2.79/[.110]	
PLATING FINISH	30 GOLD	
CONNECTOR END PLATING	GOLD	
P.C. BOARD END PLATING	TIN	
PACKAGING	SEE NOTE 4 SHEET 1	
CKTS	ITEM NUMBER	VOIDS
04	71764-0204	
06	71764-0206	
08	71764-0208	
10	71764-0210	
12	71764-0212	
14	71764-0214	
16	71764-0216	
18	71764-0218	
20	71764-0220	
22	71764-0222	
24	71764-0224	
26	71764-0226	
28	71764-0228	
30	71764-0230	
06	71764-9002	3, 4
10	71764-9000	8

THIS DRAWING CONTAINS INFORMATION THAT IS PROPRIETARY TO MOLEX ELECTRONIC TECHNOLOGIES, LLC AND SHOULD NOT BE USED WITHOUT WRITTEN PERMISSION

DIMENSION UNITS	SCALE	CURRENT REV DESC: MIGRATED TO NX	
MM/INCH	1:1		
GENERAL TOLERANCES (UNLESS SPECIFIED)		EC NO: 613447	
4 PLACES	±	DRWN: ABABU01	2019/03/07
3 PLACES	±	CHK'D: NMANE02	2019/03/11
2 PLACES	± 0.25	APPR: MRAMAKRISHNA	2019/03/11
1 PLACE	± 0.25	INITIAL REVISION:	
0 PLACES	±	DRWN: CAC	1995/08/23
ANGULAR TOL	± 0.5 °	APPR: DJB	1995/08/23
DRAFT WHERE APPLICABLE MUST REMAIN WITHIN DIMENSIONS		THIRD ANGLE PROJECTION	DRAWING SERIES
			C-SIZE 71764
DOCUMENT STATUS		DOCUMENT NUMBER	DOC TYPE   DOC PART   REVISION
P1	RELEASE DATE	SD-71764-001	PSD   001   A3
2019/03/11	07:13:14	MATERIAL NUMBER	CUSTOMER SHEET NUMBER
		SEE TABLE	GENERAL MARKET 2 OF 3



DUAL ROW WAFER ASS'Y  
W/BREAK-OFF OPTION RT. ANG. (0.64)/.025 SQ PINS

PRODUCT CUSTOMER DRAWING

ITEM NO: 71764-0304/0330		
DIM. C	8.13/[.320]	
DIM. E (REF.)	2.79/[.110]	
PLATING FINISH	TIN	
CONNECTOR END PLATING	TIN	
P.C. BOARD END PLATING	TIN	
PACKAGING	SEE NOTE 4 SHEET 1	
CKTS	ITEM NUMBER	VOIDS
04	71764-0304	
06	71764-0306	
08	71764-0308	
10	71764-0310	
12	71764-0312	
14	71764-0314	
16	71764-0316	
18	71764-0318	
20	71764-0320	
22	71764-0322	
24	71764-0324	
26	71764-0326	
28	71764-0328	
30	71764-0330	

ITEM NO: 71764-0404/0430		
DIM. C	8.13/[.320]	
DIM. E (REF.)	2.79/[.110]	
PLATING FINISH	15 GOLD	
CONNECTOR END PLATING	GOLD	
P.C. BOARD END PLATING	TIN	
PACKAGING	SEE NOTE 4 SHEET 1	
CKTS	ITEM NUMBER	VOIDS
04	71764-0404	
06	71764-0406	
08	71764-0408	
10	71764-0410	
12	71764-0412	
14	71764-0414	
16	71764-0416	
18	71764-0418	
20	71764-0420	
22	71764-0422	
24	71764-0424	
26	71764-0426	
28	71764-0428	
30	71764-0430	

ITEM NO: 71764-0504/0530		
DIM. C	8.13/[.320]	
DIM. E (REF.)	2.79/[.110]	
PLATING FINISH	30 GOLD	
CONNECTOR END PLATING	GOLD	
P.C. BOARD END PLATING	TIN	
PACKAGING	SEE NOTE 4 SHEET 1	
CKTS	ITEM NUMBER	VOIDS
04	71764-0504	
06	71764-0506	
08	71764-0508	
10	71764-0510	
12	71764-0512	
14	71764-0514	
16	71764-0516	
18	71764-0518	
20	71764-0520	
22	71764-0522	
24	71764-0524	
26	71764-0526	
28	71764-0528	
30	71764-0530	

THIS DRAWING CONTAINS INFORMATION THAT IS PROPRIETARY TO MOLEX ELECTRONIC TECHNOLOGIES, LLC AND SHOULD NOT BE USED WITHOUT WRITTEN PERMISSION									
DIMENSION UNITS		SCALE		CURRENT REV DESC: MIGRATED TO NX				<b>molex</b>	
MM/INCH		1:1							
GENERAL TOLERANCES (UNLESS SPECIFIED)				EC NO: 613447		2019/03/07		DUAL ROW WAFER ASS'Y W/BREAK-OFF OPTION RT. ANG. (0.64)/.025 SQ PINS	
4 PLACES		±		DRWN: ABABU01					
3 PLACES		± 0.01		CHK'D: NMANE02					
2 PLACES		± 0.25 ± 0.01		APPR: MRAMAKRISHNA		2019/03/11		PRODUCT CUSTOMER DRAWING	
1 PLACE		± 0.25 ±		INITIAL REVISION:				DOCUMENT NUMBER	
0 PLACES		±		DRWN: CAC		1995/08/23		SD-71764-001	
ANGULAR TOL		± 0.5 °		APPR: DJB		1995/08/23		DOC TYPE DOC PART REVISION	
DRAFT WHERE APPLICABLE MUST REMAIN WITHIN DIMENSIONS				THIRD ANGLE PROJECTION		DRAWING		SHEET NUMBER	
						C-SIZE		71764	
SEE TABLE				GENERAL MARKET		3 OF 3			