

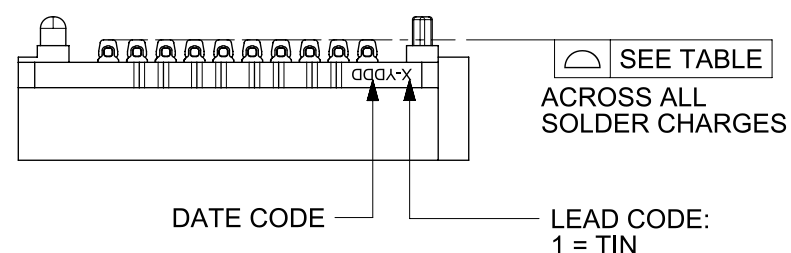
10 ROW
10 POSITION
SHOWN

SEE SHEET 3 FOR
8 ROW GEOMETRY &
SEE SHEET 4 FOR
6 ROW GEOMETRY

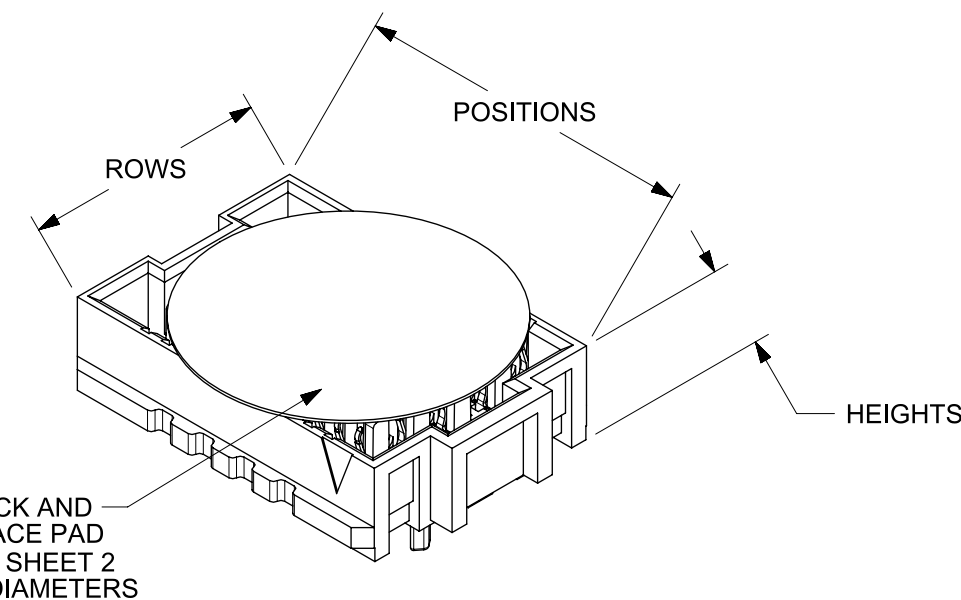
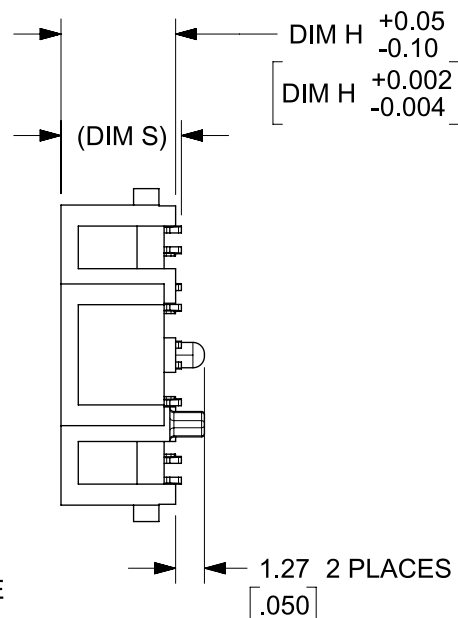
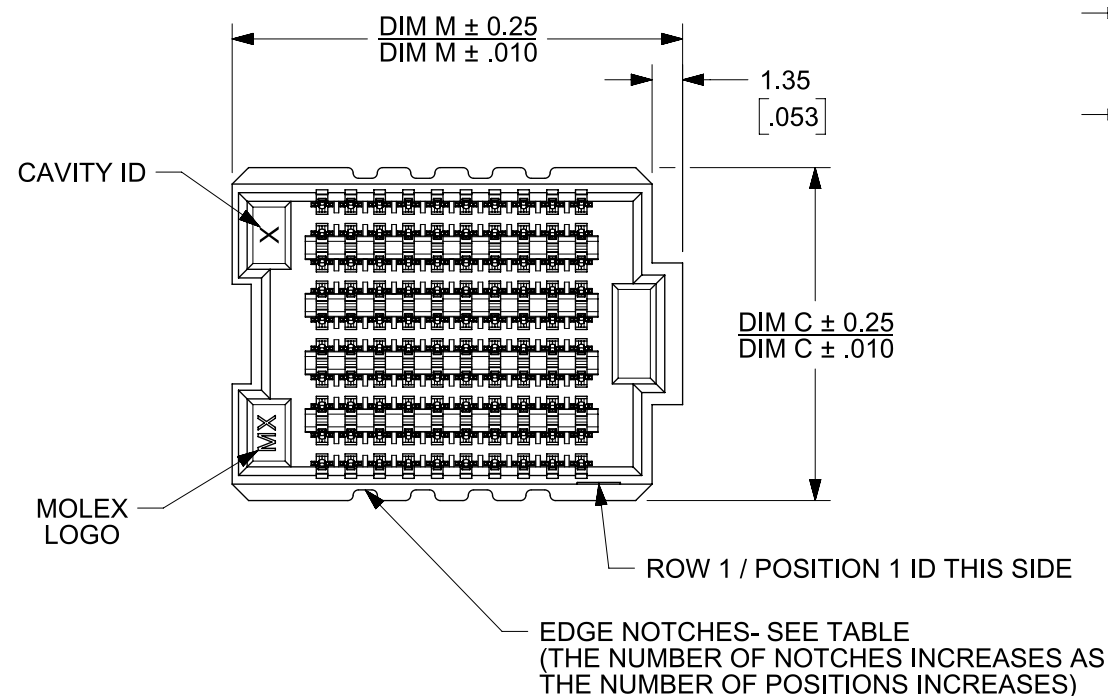
NOTES:

1. MATERIAL: HOUSING: GLASS FILLED LCP (LIQUID CRYSTAL POLYMER), UL94V-0, BLACK
CONTACTS: COPPER ALLOY
SOLDER CHARGE: 95.5% TIN, 3.8% SILVER, 0.7% COPPER
2. FINISH: SELECT GOLD IN CONTACT AREA, 30 MICROINCH MINIMUM
SELECT TIN ON TAIL, 50 MICROINCH MINIMUM
OVERALL NICKEL UNDERPLATE
3. PRODUCT SPECIFICATION: PS-45970-001
4. PACKAGING SPECIFICATION: PK-45971-002 (TAPE AND REEL)
5. MATES WITH SEARAY PLUG ASSEMBLY SERIES 45970
6. APPLICATION SPECIFICATION: AS-45970-001
7. COSMETIC SPECIFICATION: PS-45499-002 CLASS B
8. PART STATUS: CONTACT MOLEX

POSITIONS	TOTAL NUMBER OF EDGE NOTCHES	
10	8	0.15/.006
15	14	
20	18	
25	24	
30	28	
35	34	0.23/.009
40	38	
45	44	
50	48	

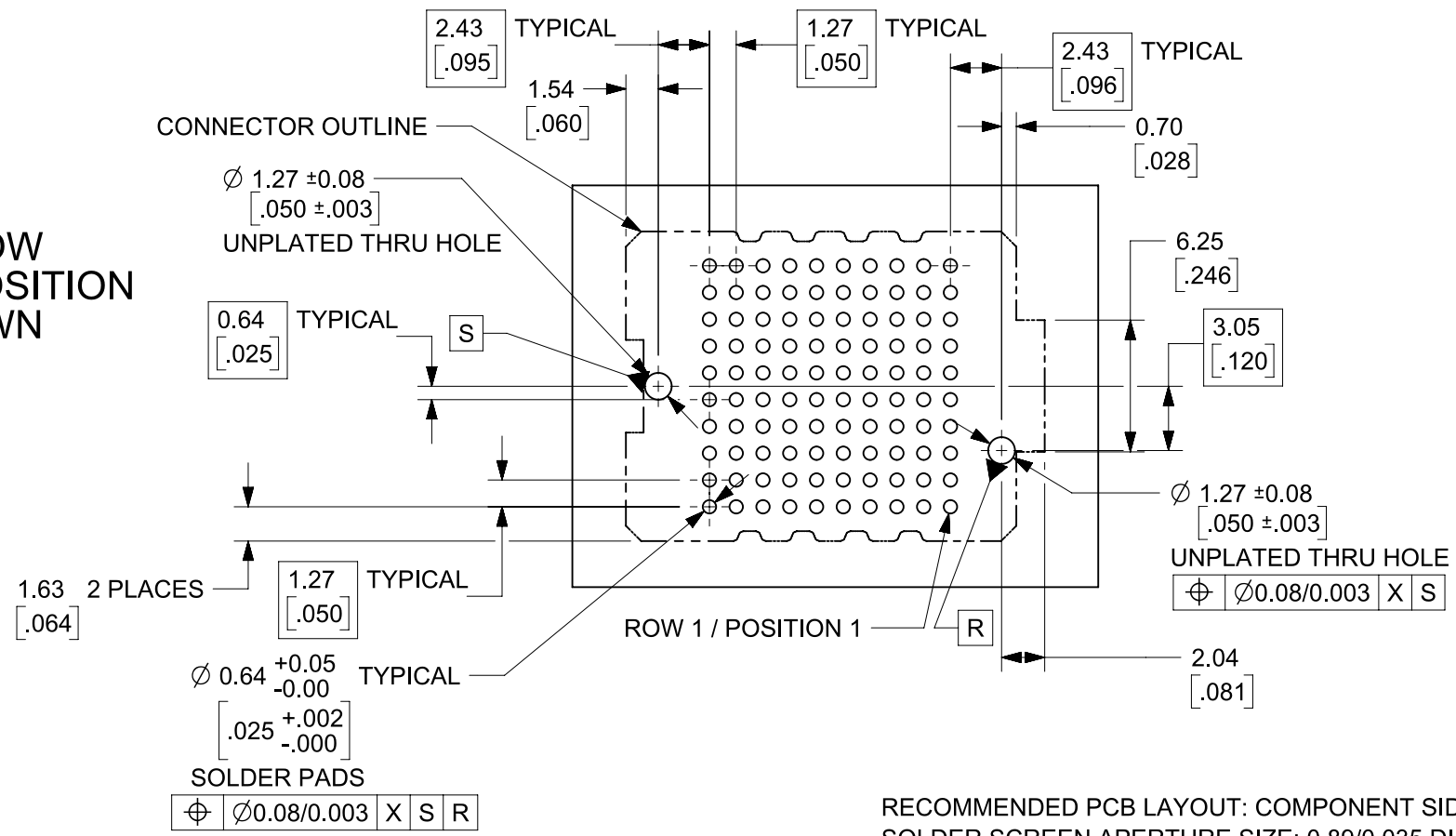


NOTE: THESE CODES MAY BE LOCATED ON EITHER SIDE OF THE HOUSING



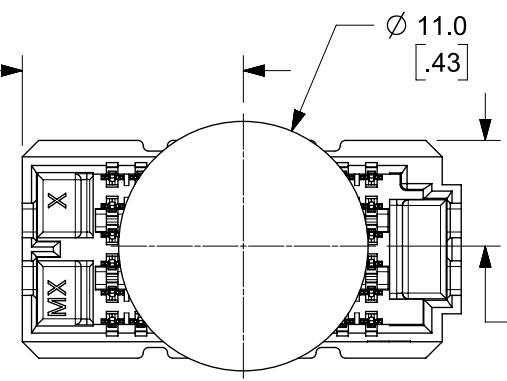
THIS DRAWING CONTAINS INFORMATION THAT IS PROPRIETARY TO MOLEX ELECTRONIC TECHNOLOGIES, LLC AND SHOULD NOT BE USED WITHOUT WRITTEN PERMISSION									
DIMENSION UNITS: MM/IN		SCALE: 3:1		CURRENT REV DESC:					
GENERAL TOLERANCES (UNLESS SPECIFIED)		ANGULAR TOL ± °		EC NO: 712067 DRWN: CLHOE01 2022/01/25 CHK'D: HCGOH 2022/06/27 APPR: SHONG 2022/07/14					
4 PLACES ±		3 PLACES ±		2 PLACES ± 0.25		1 PLACE ± 0.38		0 PLACES ±	
DRAFT WHERE APPLICABLE MUST REMAIN WITHIN DIMENSIONS		THIRD ANGLE PROJECTION		DRAWING: B-SIZE		SERIES: 45971		MATERIAL NUMBER: SEE TABLE SHEET NO 5	
DOCUMENT STATUS: P1		RELEASE DATE: 2022/07/14 16:45:44		RECEPTACLE ASSEMBLY 1.27/.050 CENTERS PRODUCT CUSTOMER DRAWING				DOCUMENT NUMBER: SD-45971-001 DOC TYPE: PSD DOC PART: 001 REVISION: AA	
				CUSTOMER: GENERAL MARKET		SHEET NUMBER: 1 OF 5			

10 ROW
10 POSITION
SHOWN



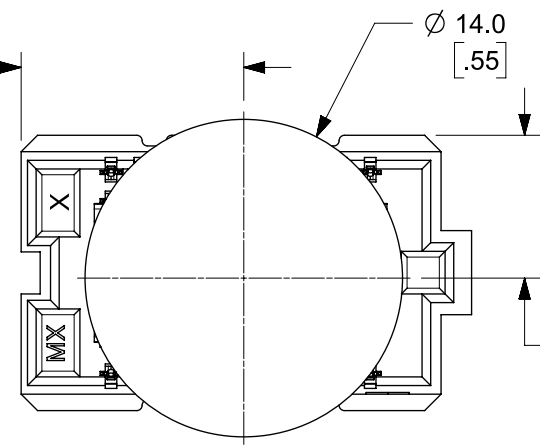
RECOMMENDED PCB LAYOUT: COMPONENT SIDE
SOLDER SCREEN APERTURE SIZE: 0.89/0.035 DIAMETER
PCB THICKNESS: NA

$\frac{DIM M}{2} \pm 1.52$
 $\frac{DIM M}{2} \pm 0.060$
PAD
LOCATION



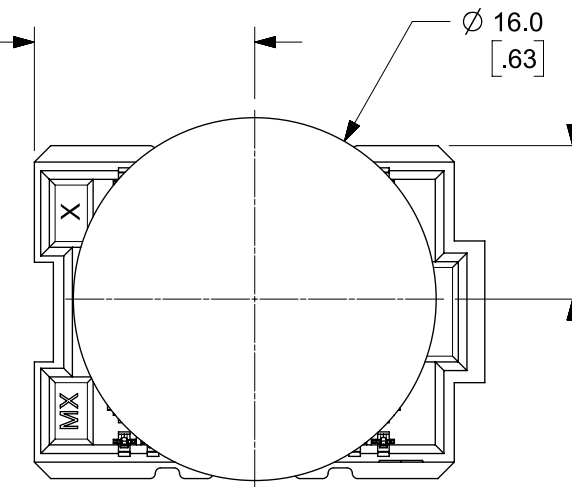
6 ROW OPTION

$\frac{DIM M}{2} \pm 1.52$
 $\frac{DIM M}{2} \pm 0.060$
PAD
LOCATION



8 ROW OPTION

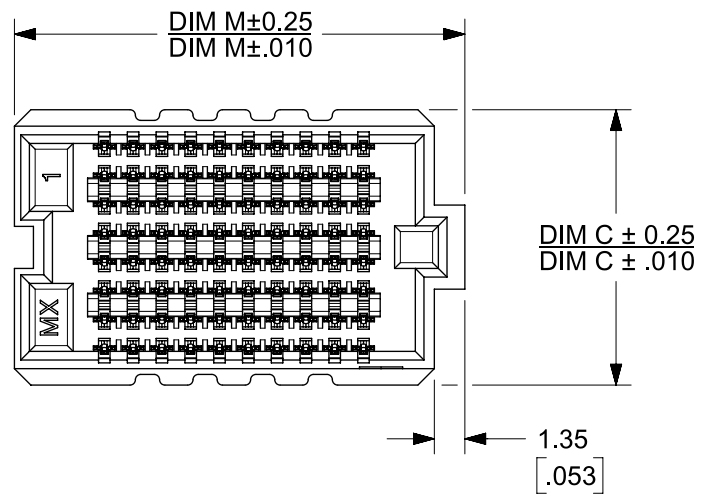
$\frac{DIM M}{2} \pm 1.52$
 $\frac{DIM M}{2} \pm 0.60$
PAD
LOCATION



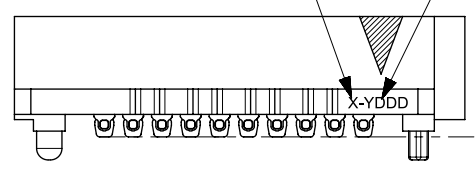
10 ROW OPTION

PICK AND PLACE PAD DIAMETERS 10 POSITION VERSIONS SHOWN

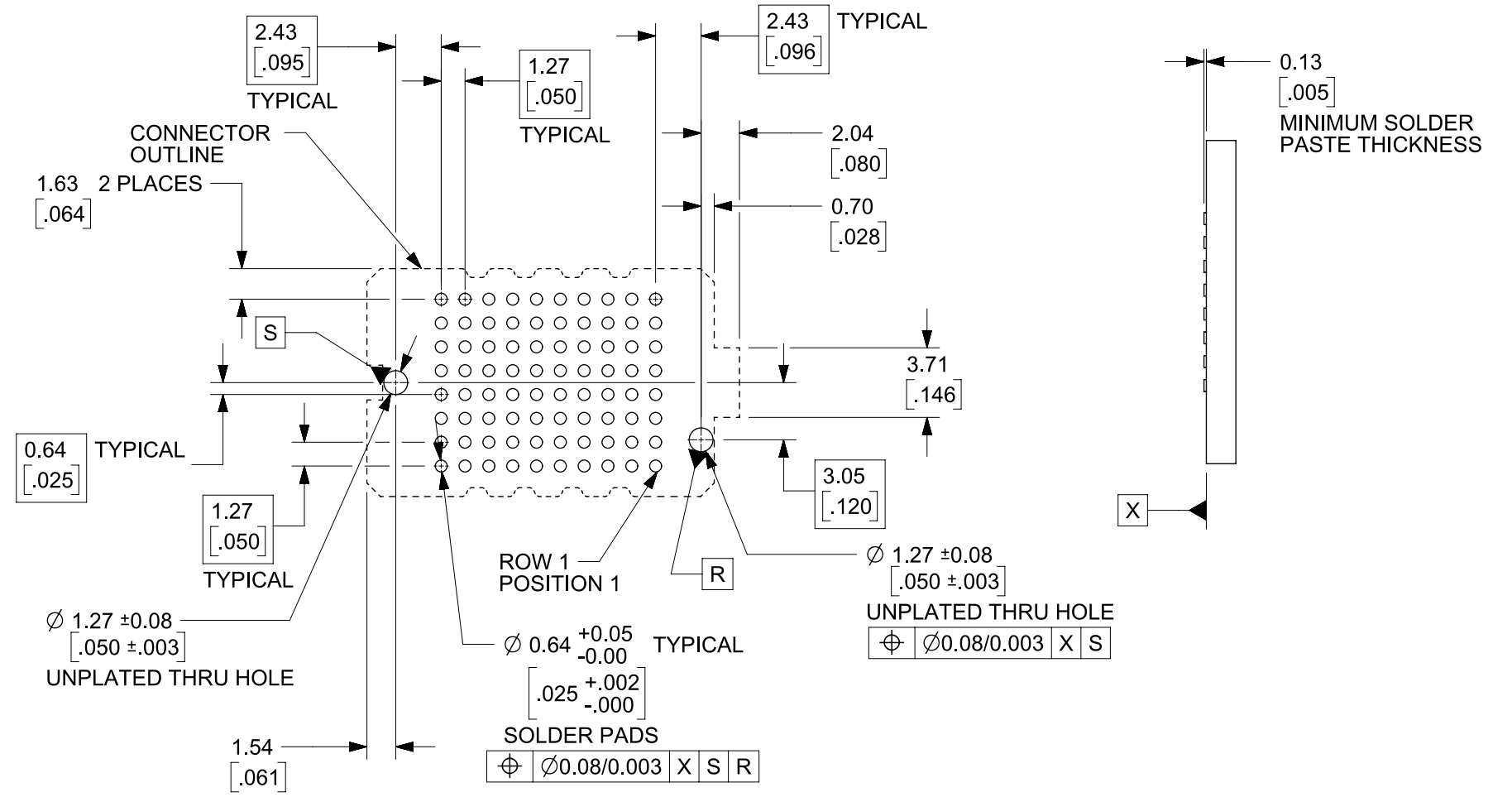
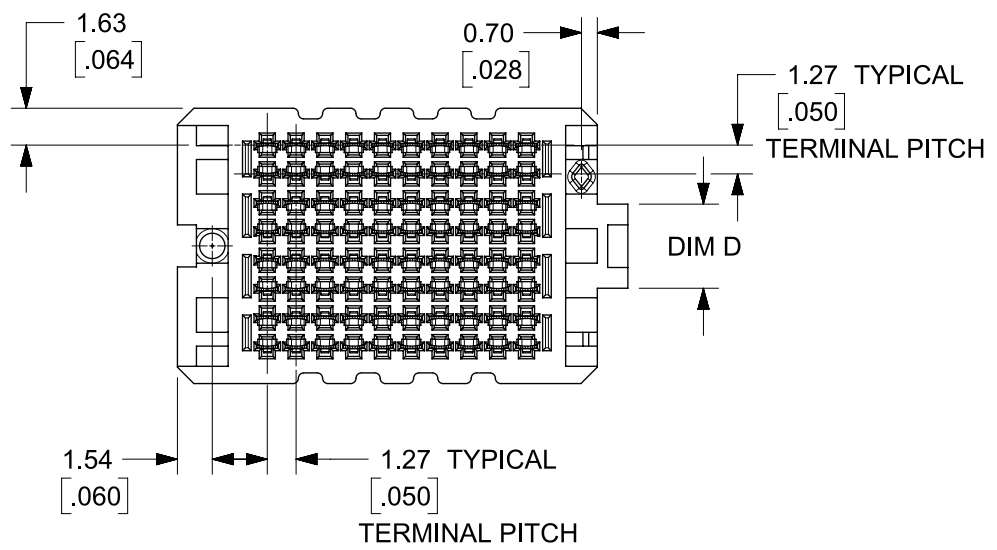
THIS DRAWING CONTAINS INFORMATION THAT IS PROPRIETARY TO MOLEX ELECTRONIC TECHNOLOGIES, LLC AND SHOULD NOT BE USED WITHOUT WRITTEN PERMISSION									
DIMENSION UNITS MM/IN		SCALE 3:1		CURRENT REV DESC:				molex	
GENERAL TOLERANCES (UNLESS SPECIFIED)		ANGULAR TOL ± °		EC NO: 712067 DRWN: CLHOE01 CHK'D: HCGOH APPR: SHONG					
4 PLACES ±		3 PLACES ±		2 PLACES ± 0.25		1 PLACE ± 0.38		INITIAL REVISION: DRWN: TGREGORI APPR: JCOMERCI	
0 PLACES ±		DRAFT WHERE APPLICABLE MUST REMAIN WITHIN DIMENSIONS		THIRD ANGLE PROJECTION		DRAWING B-SIZE		SERIES 45971	
DOCUMENT STATUS P1		RELEASE DATE 2022/07/14 16:45:44		MATERIAL NUMBER SEE TABLE SHEET NO 5		CUSTOMER GENERAL MARKET		DOCUMENT NUMBER SD-45971-001	
								DOC TYPE DOC PART REVISION PSD 001 AA	
								SHEET NUMBER 2 OF 5	



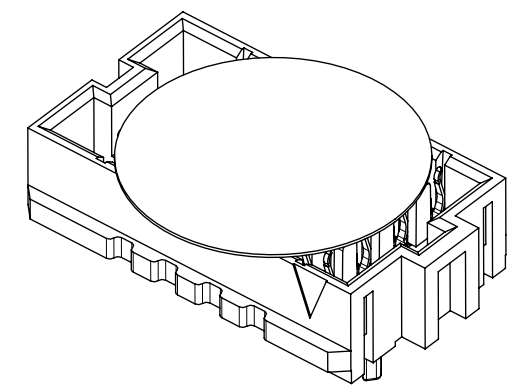
NOTE: THESE CODES MAY BE LOCATED ON EITHER SIDE OF THE HOUSING
 LEAD CODE: 1 = TIN
 DATE CODE



SEE TABLE
 ACROSS ALL SOLDER CHARGES

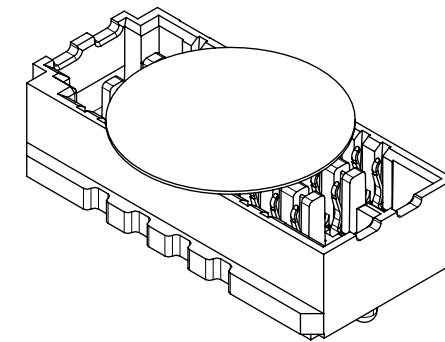
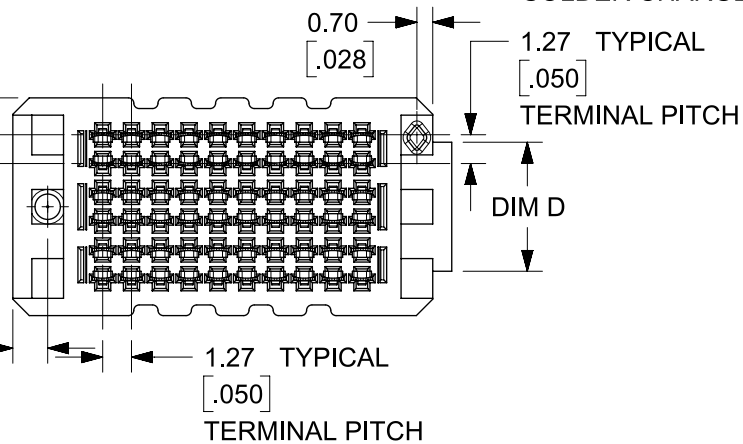
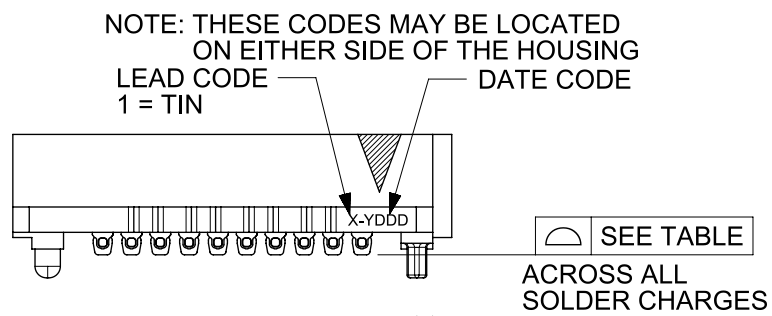
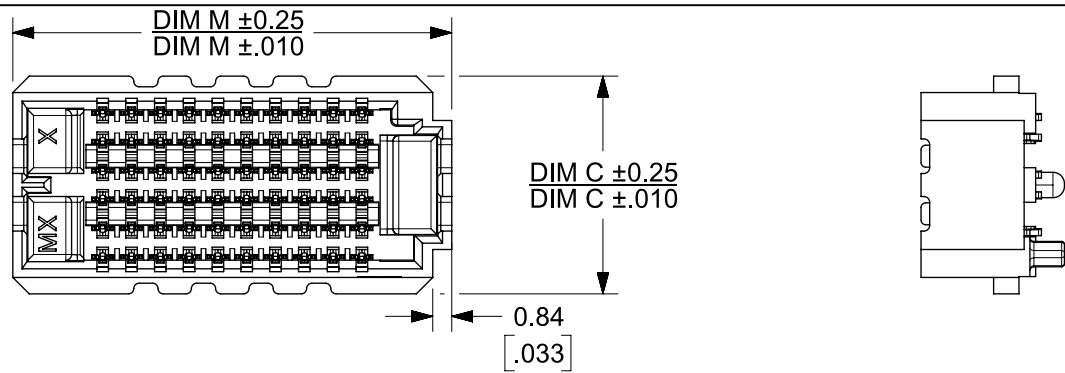
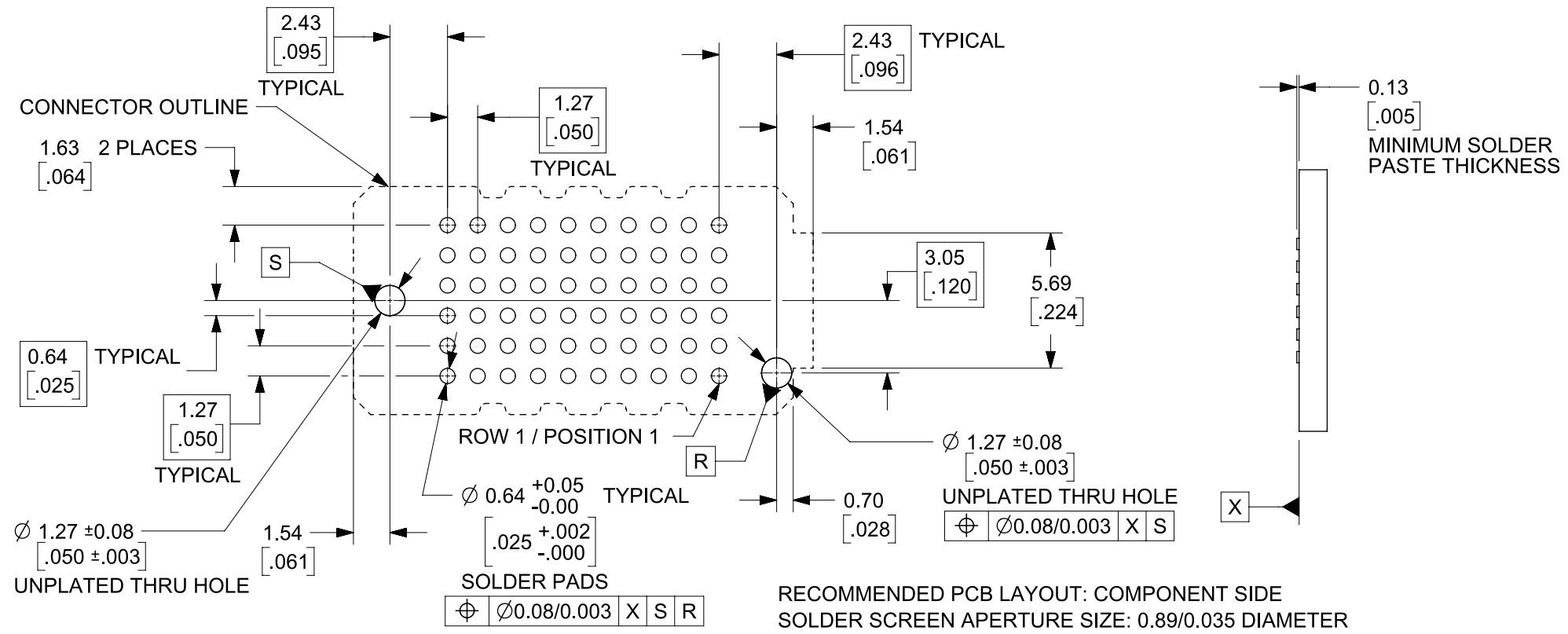


RECOMMENDED PCB LAYOUT: COMPONENT SIDE
 SOLDER SCREEN APERTURE SIZE: 0.89/0.035 DIAMETER
 PCB THICKNESS: NA
 8 ROW 10 POSITION SHOWN



THIS DRAWING CONTAINS INFORMATION THAT IS PROPRIETARY TO MOLEX ELECTRONIC TECHNOLOGIES, LLC AND SHOULD NOT BE USED WITHOUT WRITTEN PERMISSION									
DIMENSION UNITS: MM/IN		SCALE: 3:1		CURRENT REV DESC:					
GENERAL TOLERANCES (UNLESS SPECIFIED)				molex SEARAY RECEPTACLE ASSEMBLY 1.27/.050 CENTERS PRODUCT CUSTOMER DRAWING					
ANGULAR TOL ± °									
4 PLACES ±									
3 PLACES ±									
2 PLACES ± 0.25									
1 PLACE ± 0.38				EC NO: 712067		2022/01/25			
0 PLACES ±				DRWN: CLHOE01		2022/06/27			
DRAFT WHERE APPLICABLE MUST REMAIN WITHIN DIMENSIONS				APPR: SHONG		2022/07/14			
THIRD ANGLE PROJECTION				INITIAL REVISION:		2005/05/17		DOCUMENT NUMBER	
DRAWING: B-SIZE				DRWN: TGREGORI		2010/03/05		SD-45971-001	
SERIES: 45971				APPR: JCOMERCI				DOC TYPE: PSD	
MATERIAL NUMBER: SEE TABLE SHEET NO 5				CUSTOMER: GENERAL MARKET		DOC PART: 001		REVISION: AA	
SHEET NUMBER: 3 OF 5									

6 ROW
10 POSITION
SHOWN

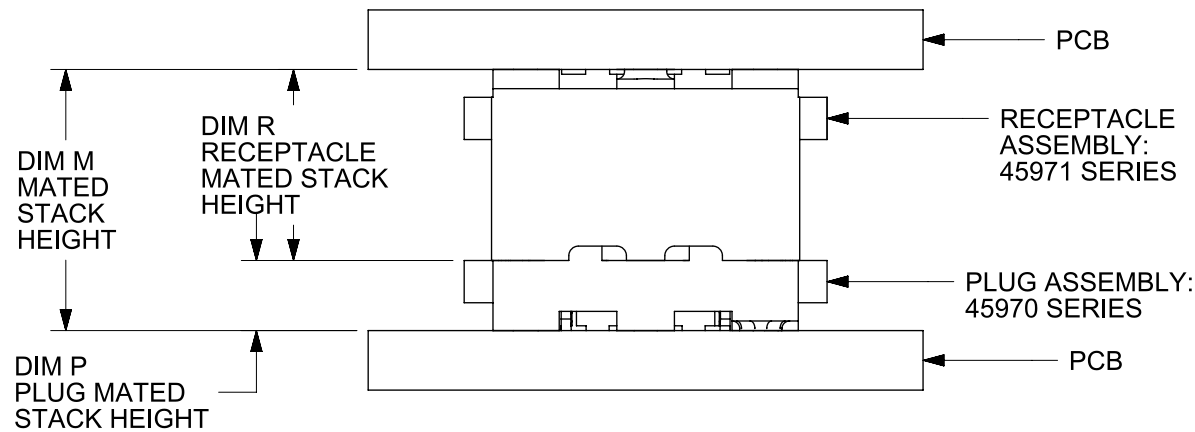


6 ROW
10 POSITION
SHOWN

THIS DRAWING CONTAINS INFORMATION THAT IS PROPRIETARY TO MOLEX ELECTRONIC TECHNOLOGIES, LLC AND SHOULD NOT BE USED WITHOUT WRITTEN PERMISSION									
DIMENSION UNITS		SCALE		CURRENT REV DESC:					
MM/IN		3:1		<p>molex</p> <p>SEARAY RECEPTACLE ASSEMBLY 1.27/.050 CENTERS</p> <p>PRODUCT CUSTOMER DRAWING</p> <p>DOCUMENT NUMBER: SD-45971-001 DOC TYPE: PSD DOC PART: 001 REVISION: AA</p> <p>MATERIAL NUMBER: SEE TABLE SHEET NO 5 CUSTOMER: GENERAL MARKET SHEET NUMBER: 4 OF 5</p>					
GENERAL TOLERANCES (UNLESS SPECIFIED)									
ANGULAR TOL ± °									
4 PLACES ±									
3 PLACES ±									
2 PLACES ± 0.25									
1 PLACE ± 0.38									
0 PLACES ±				EC NO: 712067		2022/01/25			
DRAFT WHERE APPLICABLE MUST REMAIN WITHIN DIMENSIONS				DRWN: CLHOE01		2022/06/27			
				CHK'D: HCGOH		2022/07/14			
THIRD ANGLE PROJECTION				APPR: SHONG		2022/07/14			
				INITIAL REVISION:					
DRAWING				DRWN: TREGORI		2005/05/17			
				APPR: JCOMERCI		2010/03/05			
B-SIZE				SERIES: 45971					

ROWS: 6 DIMENSION C = 9.60/.378 DIMENSION D = 5.69/.224						
DIM R: (REF)		5.0 mm	6.0 mm	6.5 mm	7.5 mm	8.0 mm
DIM H:		5.05/.199	6.05/.238	6.55/.258	7.54/.297	8.05/.317
DIM S:		5.31/.209	6.30/.248	6.81/.268	7.80/.307	8.31/.327
POSITION	DIM M	MATERIAL NO	MATERIAL NO	MATERIAL NO	MATERIAL NO	MATERIAL NO
10	19.35/0.762					
20	32.05/1.262					
30	44.75/1.762	45971-3165				
40	57.45/2.262					
50	70.15/2.762	45971-5165				
15	25.70/1.012					
25	38.40/1.512					
35	51.10/2.012					
45	63.80/2.512					

ROWS: 8 DIMENSION C = 12.14/.478 DIMENSION D = 3.71/.146						
DIM R: (REF)		5.0 mm	6.0 mm	6.5 mm	7.5 mm	8.0 mm
DIM H:		5.05/.199	6.05/.238	6.55/.258	7.54/.297	8.05/.317
DIM S:		5.31/.209	6.30/.248	6.81/.268	7.80/.307	8.31/.327
POSITION	DIM M	MATERIAL NO	MATERIAL NO	MATERIAL NO	MATERIAL NO	MATERIAL NO
10	19.88/0.784					
20	32.58/1.284	45971-2185		45971-2385		
30	45.28/1.784	45971-3185		45971-3385		
40	57.98/2.284	45971-4185		45971-4385		
50	70.68/2.784	45971-5185				
15	26.23/1.034					
25	38.93/1.534					
35	51.63/2.034					
45	64.33/2.534					



STACK HEIGHTS
GIVEN IN MILLIMETERS (MM) FOR REFERENCE ONLY

ROWS: 10 DIMENSION C = 14.68/.578 DIMENSION D = 6.25/.246						
DIM R: (REF)		5.0 mm	6.0 mm	6.5 mm	7.5 mm	8.0 mm
DIM H:		5.05/.199	6.05/.238	6.55/.258	7.54/.297	8.05/.317
DIM S:		5.31/.209	6.30/.248	6.81/.268	7.80/.307	8.31/.327
POSITION	DIM M	MATERIAL NO	MATERIAL NO	MATERIAL NO	MATERIAL NO	MATERIAL NO
10	19.88/0.784	45971-1115	45971-1215	45971-1315	45971-1415	45971-1515
20	32.58/1.284	45971-2115	45971-2215	45971-2315	45971-2415	45971-2515
30	45.28/1.784	45971-3115	45971-3215	45971-3315	45971-3415	45971-3515
40	57.98/2.284	45971-4115	45971-4215	45971-4315	45971-4415	45971-4515
50	70.68/2.784	45971-5115	45971-5215	45971-5315	45971-5415	45971-5515
15	26.23/1.034	45971-6115	45971-6215	45971-6315	45971-6415	45971-6515
25	38.93/1.534	45971-7115	45971-7215	45971-7315	45971-7415	45971-7515
35	51.63/2.034	45971-8115	45971-8215	45971-8315	45971-8415	45971-8515
45	64.33/2.534	45971-9115	45971-9215	45971-9315	45971-9415	45971-9515

MATING STACK HEIGHTS (DIMENSION R)
GIVEN IN MILLIMETERS (mm) FOR REFERENCE ONLY

		DIM R RECEPTACLE STACK HEIGHT									
		5.0		6.0		6.5		7.5		8.0	
		DIM M FULLY MATED	DIM M MAX	DIM M FULLY MATED	DIM M MAX	DIM M FULLY MATED	DIM M MAX	DIM M FULLY MATED	DIM M MAX	DIM M FULLY MATED	DIM M MAX
DIM P PLUG STACK HEIGHT	2.0	7.00	7.74	8.00	8.74	8.50	9.24	9.50	10.24	10.00	10.74
	2.5	7.50	8.24	8.50	9.24	9.00	9.74	10.00	10.74	10.50	11.24
	3.0	8.00	8.74	9.00	9.74	9.50	10.24	10.50	11.24	11.00	11.74
	3.5	8.50	9.24	9.50	10.24	10.00	10.74	11.00	11.74	11.50	12.24
	4.5	9.50	10.24	10.50	11.24	11.00	11.74	12.00	12.74	12.50	13.24
	5.0	10.00	10.74	11.00	11.74	11.50	12.24	12.50	13.24	13.00	13.74
	7.0	12.00	12.74	13.00	13.74	13.50	14.24	14.50	15.24	15.00	15.74
9.0	14.00	14.74	15.00	15.74	15.50	16.24	16.50	17.24	17.00	17.74	

MATED STACK HEIGHTS
GIVEN IN MILLIMETERS (mm) FOR REFERENCE ONLY

THIS DRAWING CONTAINS INFORMATION THAT IS PROPRIETARY TO MOLEX ELECTRONIC TECHNOLOGIES, LLC AND SHOULD NOT BE USED WITHOUT WRITTEN PERMISSION											
DIMENSION UNITS: MM/IN		SCALE: 3:1		CURRENT REV DESC:							
GENERAL TOLERANCES (UNLESS SPECIFIED)				EC NO: 712067				2022/01/25			
ANGULAR TOL ± °				DRWN: CLH0E01				2022/06/27			
4 PLACES ±				CHK'D: HCGOH				2022/07/14			
3 PLACES ±				APPR: SHONG				INITIAL REVISION:			
2 PLACES ± 0.25				DRWN: TGREGORI				2005/05/17			
1 PLACE ± 0.38				APPR: JCOMERCI				2010/03/05			
0 PLACES ±				THIRD ANGLE PROJECTION				DRAWING: B-SIZE			
DRAFT WHERE APPLICABLE MUST REMAIN WITHIN DIMENSIONS				SERIES: 45971				MATERIAL NUMBER: SD-45971-001			
				CUSTOMER: GENERAL MARKET				SHEET NUMBER: 5 OF 5			