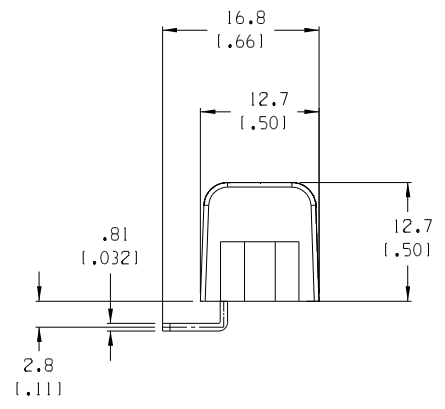
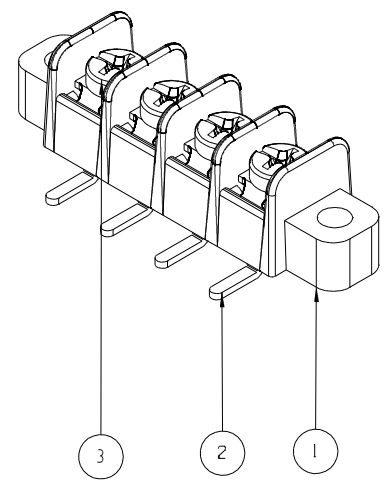


Ø3.81
(1.150)
(2 LOC.)



NOTES:

1. MATERIAL: SEE TABLE
2. FINISHES: SEE TABLE
3. PRODUCT SPECIFICATION: AS REQUIRED
4. PACKAGING: NOT REQUIRED
5. MATES WITH: NONE

ITEM	QTY.	DESCRIPTION	MATERIAL	FINISH
3	4	SCREW #6-32 PAN HEAD	BRASS	NICKEL
2	4	TERMINAL RIGHT ANGLE PC	BRASS	TIN
1	1	SR INSULATOR	THERMOPLASTIC	BLACK

EC NO. RELEASED
DRAWN: JF 11-30-04
CHK'K:
APPR:

DESCRIPTION
REV: A

QUALITY SYMBOLS	GENERAL TOLERANCES: (UNLESS SPECIFIED)		SCALE	DESIGN UNITS	THIRD ANGLE PROJECTION
	mm	INCH	2:1	<input type="checkbox"/> mm <input checked="" type="checkbox"/> INCH	
MAJOR	4 PLACES	±.0015	DRAWN BY & DATE		TITLE:
CRITICAL	3 PLACES	±.005	J. FARMER 11-30-04		
C	2 PLACES	±.13	CHECKED BY & DATE		APPROVED BY & DATE
S	1 PLACE	±.3			
ANGULAR:		±2°		CAD FILENAME	MATERIAL NO.
DRAFT WHERE APPLICABLE MUST REMAIN WITHIN DIMENSIONS		THIS DRAWING CONTAINS INFORMATION THAT IS PROPRIETARY TO MOLEX INCORPORATED AND SHOULD NOT BE USED WITHOUT WRITTEN PERMISSION.		70804-49	387015404

PROJECT NO.:		SHT	REV
-	-	-	-
DIMENSIONS:		REVISE ON CAD ONLY	
<input checked="" type="checkbox"/> mm	<input type="checkbox"/> INCH	<input type="checkbox"/> mm	<input type="checkbox"/> ONLY
DRAWING NO.		SHEET NO.	
SD-38701-5404		1 OF 1	

TITLE: SR BTS PC RA 4 ASY
MOLEX INCORPORATED