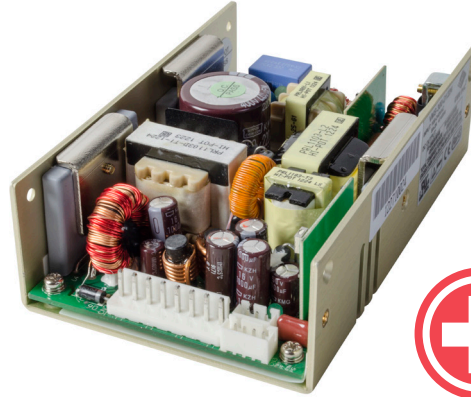


SERIES: VMS-300 | **DESCRIPTION:** AC-DC POWER SUPPLY**FEATURES**

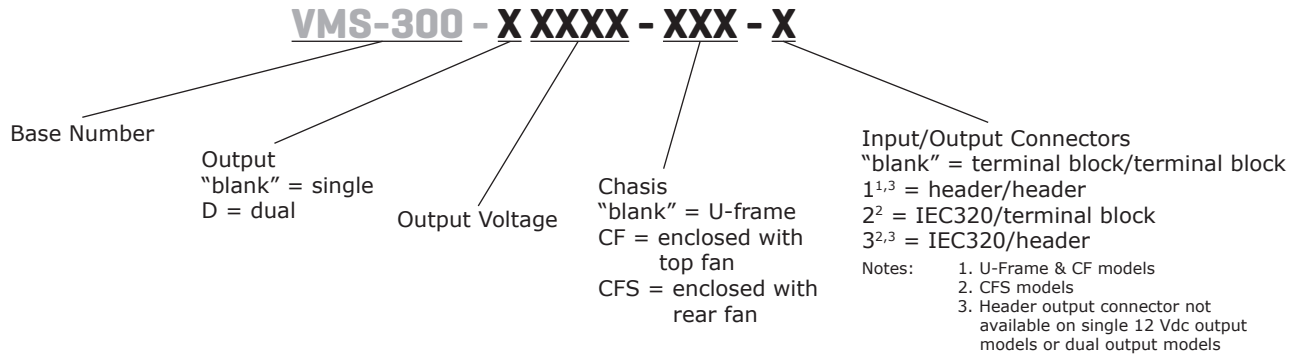
- up to 300² W continuous power
- 12.5 W/in³ power density
- universal input (90~264 Vac)
- 12 Vdc auxiliary fan output
- over voltage, short circuit, and over temperature protections
- built-in active PFC function
- efficiency up to 85%



| MODEL | output voltage | | output current | output power | ripple and noise ^{4, 5} | efficiency |
|--------------------|----------------|----|--------------------|------------------|----------------------------------|------------|
| | (Vdc) | | max (A) | max (W) | max (mVp-p) | min (%) |
| VMS-300-12 | 12 | | 25 ² | 300 ² | 120 | 82 |
| VMS-300-15 | 15 | | 20 ² | 300 ² | 150 | 82 |
| VMS-300-24 | 24 | | 12.5 ² | 300 ² | 240 | 83 |
| VMS-300-36 | 36 | | 8.33 ² | 300 ² | 360 | 84 |
| VMS-300-48 | 48 | | 6.25 ² | 300 ² | 480 | 84 |
| VMS-300-D0512* | V1 | 5 | 24 ³ | 240 ³ | 50 | 80 |
| | V2 | 12 | 13.33 ³ | | 120 | |
| VMS-300-D1224 | V1 | 12 | 13.33 ³ | 240 ³ | 120 | 85 |
| | V2 | 24 | 6.67 ³ | | 240 | |
| VMS-300-12-CF | 12 | | 25 | 300 | 120 | 82 |
| VMS-300-15-CF | 15 | | 20 | 300 | 150 | 82 |
| VMS-300-24-CF | 24 | | 12.5 | 300 | 240 | 83 |
| VMS-300-36-CF | 36 | | 8.33 | 300 | 360 | 84 |
| VMS-300-48-CF | 48 | | 6.25 | 300 | 480 | 84 |
| VMS-300-D0512-CF* | V1 | 5 | 24 | 240 ³ | 50 | 80 |
| | V2 | 12 | 13.33 | | 120 | |
| VMS-300-D1224-CF | V1 | 12 | 13.33 | 240 ³ | 120 | 85 |
| | V2 | 24 | 6.67 | | 240 | |
| VMS-300-12-CFS | 12 | | 25 | 300 | 120 | 82 |
| VMS-300-15-CFS | 15 | | 20 | 300 | 150 | 82 |
| VMS-300-24-CFS | 24 | | 12.5 | 300 | 240 | 83 |
| VMS-300-36-CFS | 36 | | 8.33 | 300 | 360 | 84 |
| VMS-300-48-CFS | 48 | | 6.25 | 300 | 480 | 84 |
| VMS-300-D0512-CFS* | V1 | 5 | 24 | 240 ³ | 50 | 80 |
| | V2 | 12 | 13.33 | | 120 | |
| VMS-300-D1224-CFS | V1 | 12 | 13.33 | 240 ³ | 120 | 85 |
| | V2 | 24 | 6.67 | | 240 | |

- Notes:
1. Peak power of 600 W within 500 μ s only applies to single output models
 2. Total continuous output power will not exceed 300 W with 25 CFM forced air, 150 W without fan.
 3. Total combined continuous output power will not exceed 240 W with 25 CFM forced air, 120 W without fan.
 4. Measured at 10 kHz ~ 20 MHz, with 0.1 μ F ceramic and 22 μ F electrolytic parallel capacitors
 5. 1% minimum load is required to maintain the ripple and regulation (10% for dual output models)
 6. * Discontinued model.

PART NUMBER KEY



INPUT

| parameter | conditions/description | min | typ | max | units |
|-------------------------|--|-----|------------|----------|--------|
| voltage | | 90 | | 264 | Vac |
| frequency | | 47 | | 63 | Hz |
| current | at 90 Vac, cold start | | | 5 | A |
| inrush current | at 115 Vac, cold start at 230 Vac, cold start | | | 35 70 | A A |
| power factor correction | single output models pass EN61000-3-2 Class D dual output models | | -- 0.95 | | |
| leakage current | at 264 Vac | | | 0.3 | mA |
| input fuse | 5 A / 250 V inserted in primary | | | | |
| remote ON/OFF | designated as INH on pin 4 of CN3, requires a low signal to inhibit output | | | | |

OUTPUT

| parameter | conditions/description | min | typ | max | units |
|---------------------|--|----------------|----------|----------------|-------------------|
| load regulation | single output models dual output models | | ±1 ±5 | | % % |
| transient response | returns to within 1% in <2.5 ms for a 50% load change and the peak transient does not exceed 5% | | | | |
| start-up time | at 230 Vac | | | 1 | s |
| hold-up time | at 120 Vac, 80% load | 16 | | | ms |
| adjustability | user adjustable | | ±5 | | % |
| switching frequency | PFC PWM PWM dual output models | 50 65 45 | | 70 75 55 | kHz kHz kHz |
| fan drive | 12 Vdc / 300 mA for external fan | | | | |
| fan fail (FF) | designated as FF on pin 3 of CN3, open collector output rated for 28 Vdc/5 mA sink current max., goes high when a fan failure is detected | | | | |
| power good (PG) | designated as PG on pin 1 of CN3, open collector, goes high 100-500 ms after DC regulation and goes low at least 1ms before loss of regulation | | | | |

PROTECTIONS

| parameter | conditions/description | min | typ | max | units |
|-----------------------------|--|-----|-----|-----|-------|
| over voltage protection | latch down and auto restart | | | 130 | % |
| over current protection | auto restart | 110 | | 140 | % |
| short circuit protection | auto restart with no damage from a short on any output | | | | |
| over temperature protection | auto restart | | 110 | | °C |

SAFETY & COMPLIANCE

| parameter | conditions/description | min | typ | max | units |
|-------------------|--|---------|-----|-----|-------|
| isolation voltage | primary to secondary at 10 mA for 3 seconds | 4,000 | | | Vac |
| | primary to chassis at 10 mA for 3 seconds | 1,500 | | | Vac |
| | primary to core at 10 mA for 3 seconds | 1,500 | | | Vac |
| safety approvals | UL 60601-1, EN 60601-1, IEC 60601-1 (Edition 3.1) | | | | |
| EMI/EMC | EN 60601-1-2 (4th Edition), EN 55011 Class B, EN 61000-3-(2,3), IEC 61000-4-(2,3,4,5,6,8,11) | | | | |
| MTBF | as per MIL-HDBK-217F at 30°C | 100,000 | | | hours |
| RoHS | 2011/65/EU | | | | |

ENVIRONMENTAL

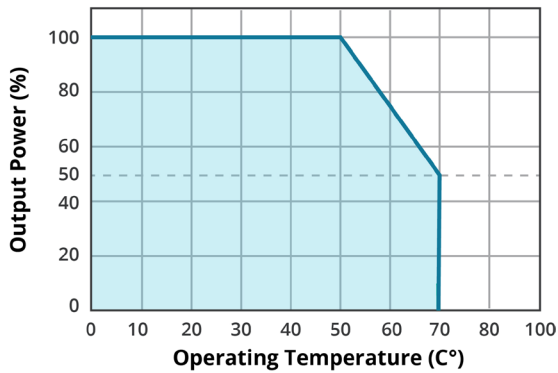
| parameter | conditions/description | min | typ | max | units |
|-----------------------|---|-----|-----|-----|-------|
| operating temperature | see derating curve | 0 | | 70 | °C |
| storage temperature | | -20 | | 85 | °C |
| operating humidity | non-condensing | 5 | | 90 | % |
| storage humidity | non-condensing | 5 | | 95 | % |
| vibration | 5 ~ 50 Hz, acceleration ± 7.35 m/s*s per axis | | | | |

CONNECTORS

| parameter | conditions/description |
|--------------------------------|---|
| input connector (CN1) | U-frame and CF Terminal Block: Howder M3 screws 3 pin 6.35 mm center Part No. HD-601-3P; PCB Labeling: L=Line; N=Neutral; G=Chassis Ground Header: CHYAO SHIUNN JS-1120-05 Mating: JST VHR-5N or equivalent (5 pin, 3 used) |
| | CFS Terminal Block: Howder HD-602-3P Input plug: IEC320 Inlet |
| output connector (CN2) | single output models Terminal block: Dinkle P830N, M5 screws Header: CHYAO SHIUNN JS-1120-06 Mating: JST VHR-6N or equivalent (6 pin) |
| | dual output models Terminal block: Howder HD-816-3P, M3 screws |
| output pin assignment | single output models Terminal block: Pin 1 = -V, Pin 2 = +V Header: Pins 1~3 = V-, Pins 4~6 = V+ |
| | dual output models Terminal block: Pin 1 = V2, Pin 2 = RTN, Pin 3 = V1 |
| logical signal connector (CN3) | Mating JST XHP-4 or equivalent (CHYAO SHIUNN JS-2001-04); Mating Pins: JST SXH-002T-P0.6 FOR AWG 30 to 26 |
| fan driver connector (FAN1) | Mating connector is JST P/N XHP-3 (3 pins 0.98 pitch) or equivalent (CHYAO SHIUNN JS-2001-03) |

DERATING CURVE

TEMPERATURE DERATING CURVE



Single Output

U-Frame at 300 W max. with 25 CFM forced air cooling, at 150 W max. convection
 CF up to 300 W max.
 CFS up to 300 W max.

Dual Output

U-Frame at 240 W max. with 25 CFM forced air cooling, at 120 W max. convection
 CF up to 240 W max.
 CFS up to 240 W max.

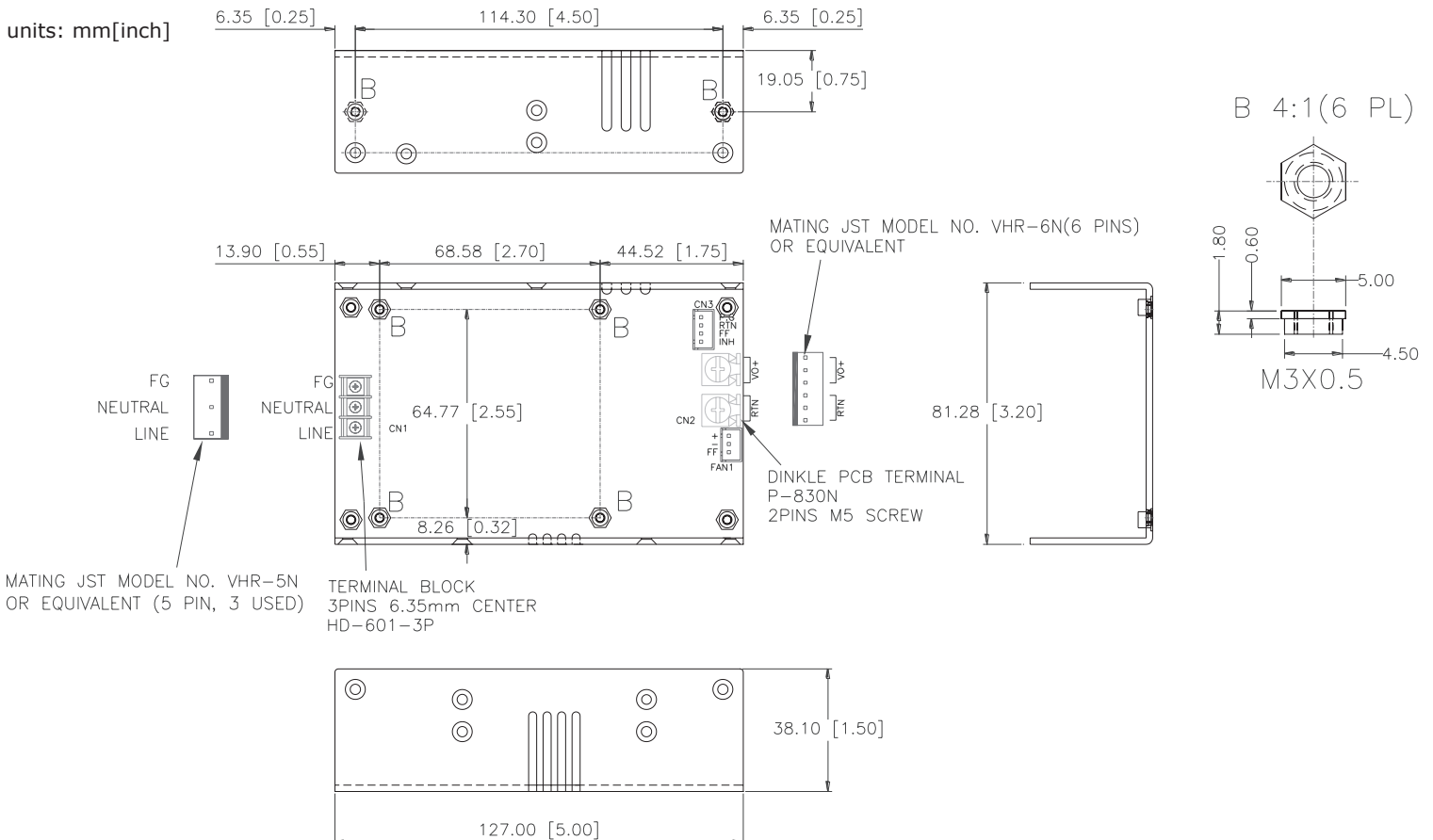
MECHANICAL

| parameter | conditions/description | min | typ | max | units |
|------------|---|-----|-----|-----|-------|
| dimensions | U-Frame: 127 x 81.28 x 38.1 (5 x 3.2 x 1.5 inch) | | | | mm |
| | CF: 127 x 81.28 x 50.8 (5 x 3.2 x 2 inch) | | | | mm |
| | CFS: 165.1 x 81.28 x 40.64 (6.5 x 3.2 x 1.6 inch) | | | | mm |
| weight | U-frame | | | 500 | g |
| | CF | | | 600 | g |
| | CFS | | | 650 | g |

MECHANICAL DRAWING - SINGLE OUTPUT MODELS

U-FRAME

units: mm[inch]

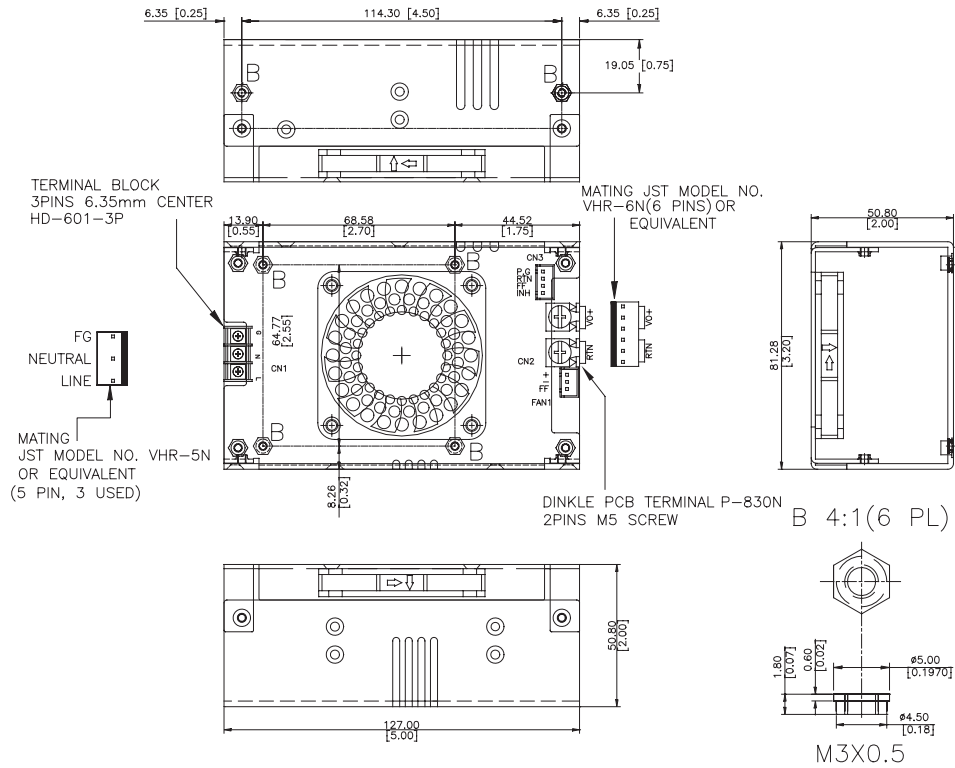


Note: 1. Mounting hole max screw depth is 4.0mm (M3x0.5 Inserts).

MECHANICAL DRAWING - SINGLE OUTPUT MODELS (CONTINUED)

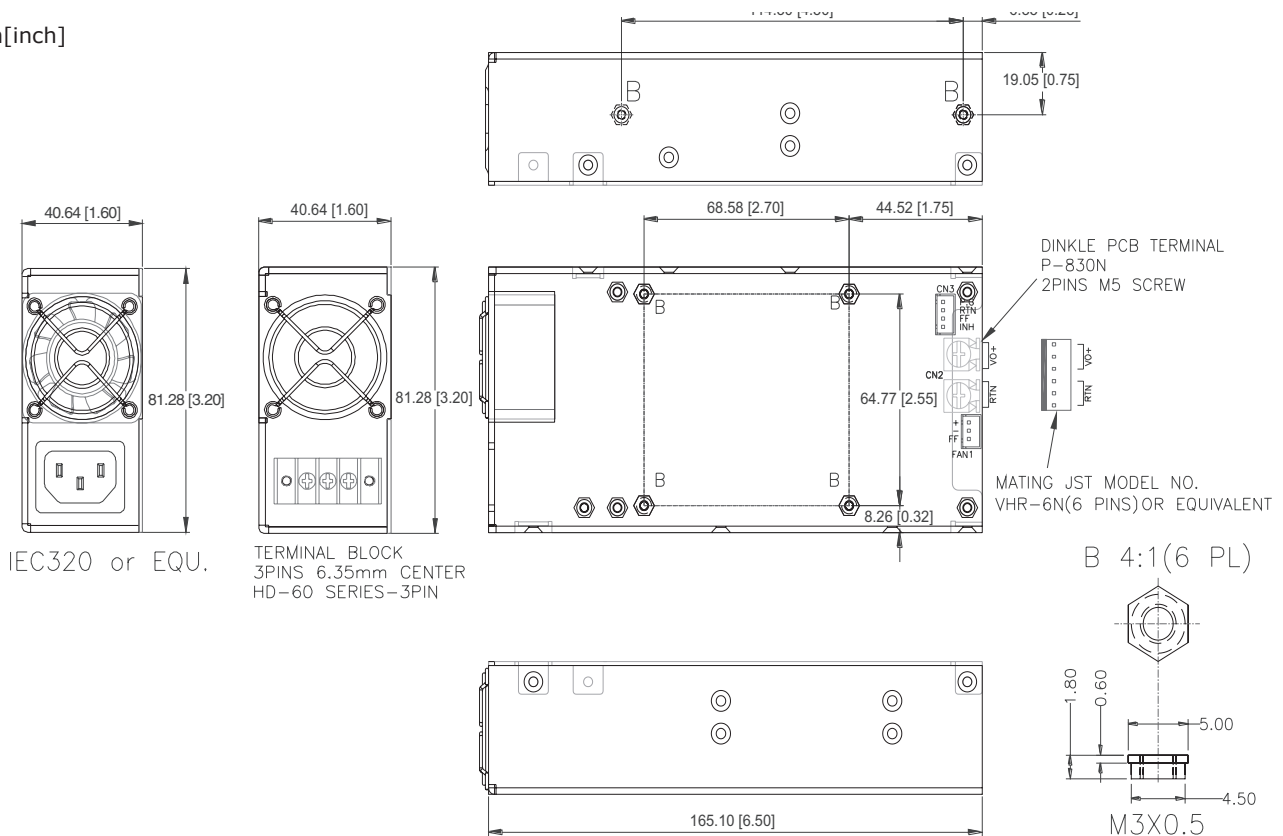
CF

units: mm[inch]



CFS

units: mm[inch]

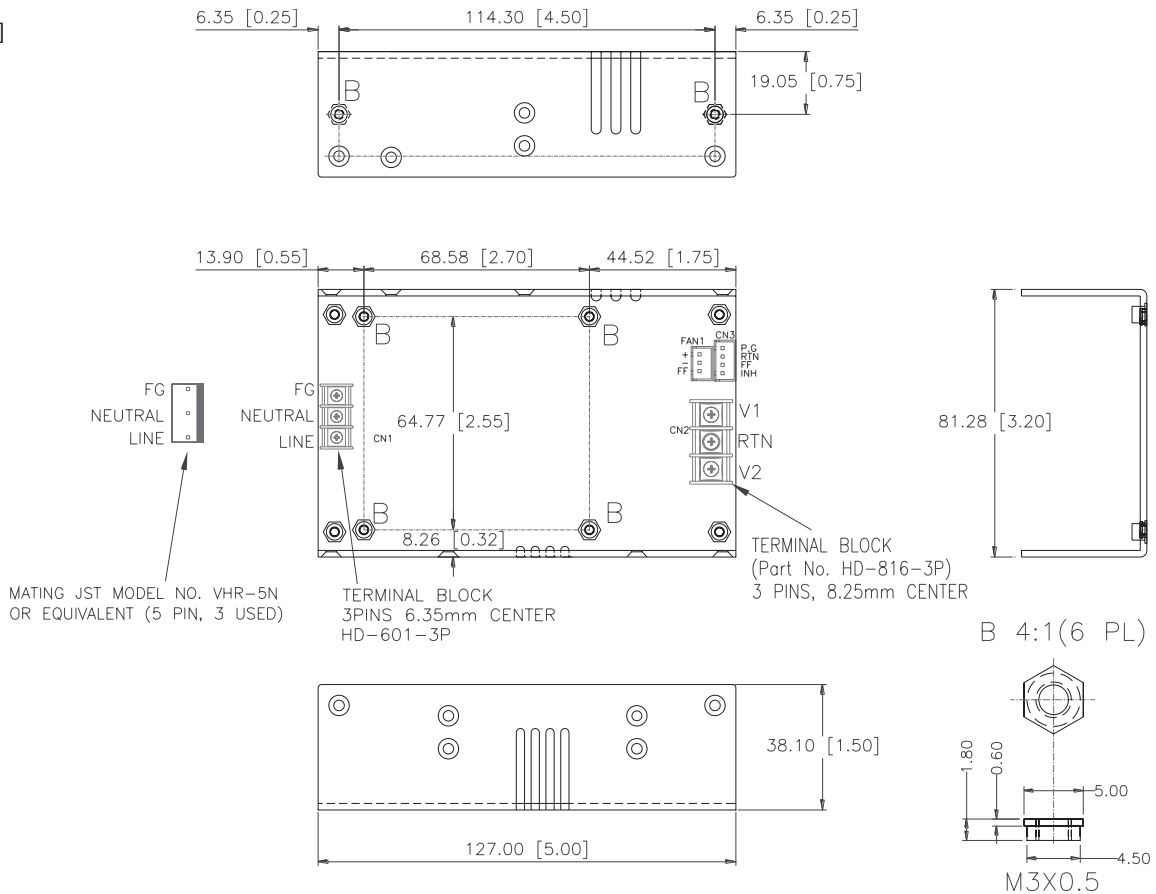


Note: 1. Mounting hole max screw depth is 4.0mm (M3x0.5 Inserts).

MECHANICAL DRAWING - DUAL OUTPUT MODELS

U-FRAME

units: mm[inch]

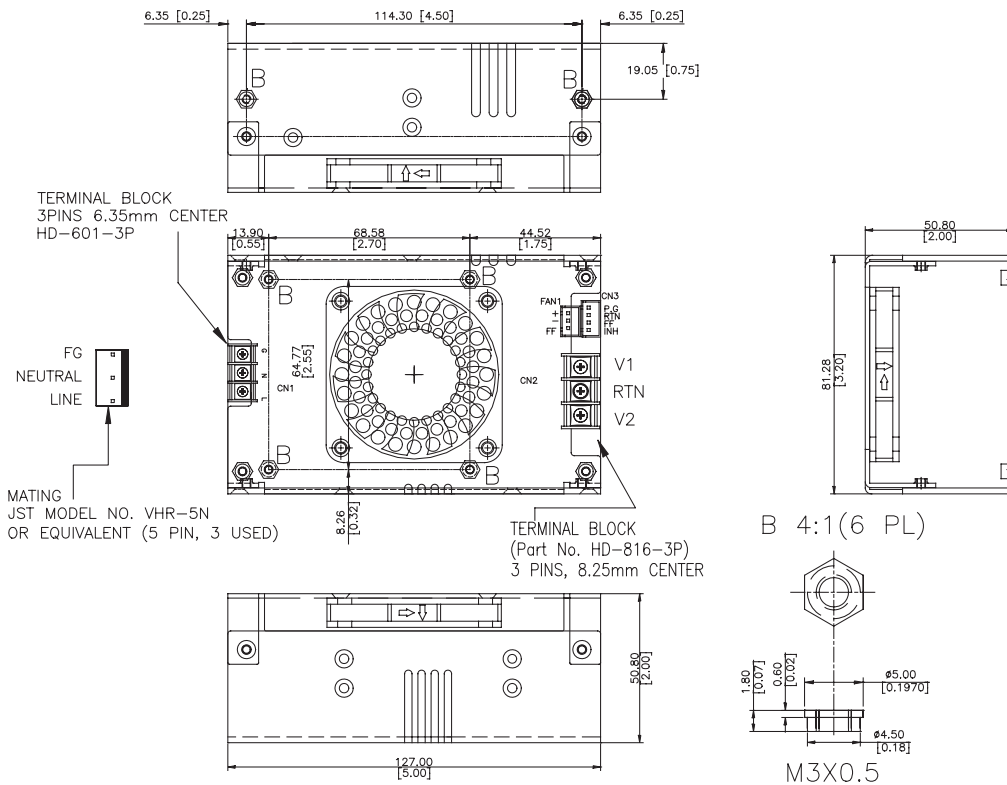


Note: 1. Mounting hole max screw depth is 4.0mm (M3x0.5 Inserts).

MECHANICAL DRAWING - DUAL OUTPUT MODELS (CONTINUED)

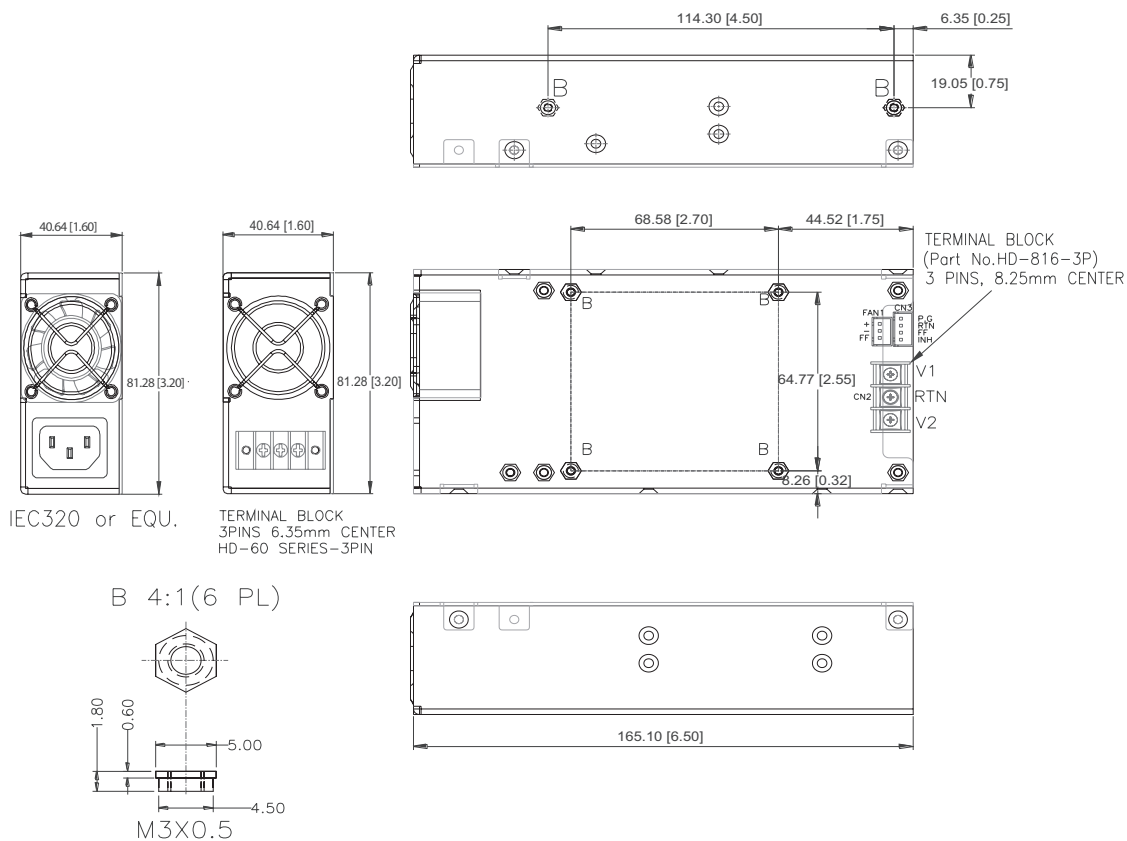
CF

units: mm[inch]



CFS

units: mm[inch]



Note: 1. Mounting hole max screw depth is 4.0mm (M3x0.5 Inserts).

REVISION HISTORY

| rev. | description | date |
|------|--|------------|
| 1.0 | initial release | 08/14/2012 |
| 1.01 | updated part number key, derating curve, misc. updates | 09/24/2012 |
| 1.02 | updated spec | 04/25/2013 |
| 1.03 | updated spec | 07/03/2013 |
| 1.04 | removed connector options | 08/05/2013 |
| 1.05 | added connector options | 10/21/2013 |
| 1.06 | added 2 mounting holes for internal fan on "CF" models | 04/23/2015 |
| 1.07 | updated datasheet | 05/05/2016 |
| 1.08 | updated to safety Edition 3.1 and EMC 4th Edition | 07/24/2018 |
| 1.09 | company logo updated | 12/17/2020 |
| 1.10 | derating curve updated | 05/05/2021 |
| 1.11 | discontinued model VMS-300-D0512, VMS-300-D0512-CF & VMS-300-D0512-CFS | 06/07/2022 |

The revision history provided is for informational purposes only and is believed to be accurate.



Headquarters
20050 SW 112th Ave.
Tualatin, OR 97062
800.275.4899

Fax 503.612.2383
cui.com
techsupport@cui.com

CUI offers a two (2) year limited warranty. Complete warranty information is listed on our website.

CUI reserves the right to make changes to the product at any time without notice. Information provided by CUI is believed to be accurate and reliable. However, no responsibility is assumed by CUI for its use, nor for any infringements of patents or other rights of third parties which may result from its use.

CUI products are not authorized or warranted for use as critical components in equipment that requires an extremely high level of reliability. A critical component is any component of a life support device or system whose failure to perform can be reasonably expected to cause the failure of the life support device or system, or to affect its safety or effectiveness.