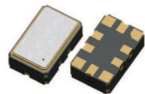




# PLETRONICS OeDA015-10.0M OeXO® Oscillator



OeDA  
5.0 x 3.2 x 1.85 mm  
LCC Ceramic Package

## Features

- Pletronics' OeXO® Series Ovenized equivalent Temperature Compensated Crystal Oscillator
- Voltage Control Function
- Low Power / Fast Warm Up
- Clipped sine Output
- 3.3V nominal Supply Voltage
- 10.0 MHz nominal frequency

## Applications

SONET / SDH / DWDM  
Test & Measurement  
Telecom Transmission & Switching Equipment  
Base Stations / Picocell  
Wireless Communication Equipment

## Electrical Characteristics

Parameter	Min	Typ	Max	Unit	Condition
Frequency Range	-	10	-	MHz	
Frequency Stability vs. Temperature	-	-	±0.2	ppm	Over -20°C to +70°C at fixed V <sub>CC</sub> + load (reference to (F <sub>max</sub> +F <sub>min</sub> )/2)
Frequency Tolerance	-	-	±1.0	ppm	at 25°C
Operating Temperature Range	-40	-	+85	°C	
Supply Voltage <sup>1</sup> V <sub>CC</sub>	3.135	3.3	3.465	Volts	
Supply Current I <sub>CC</sub>	-	-	3.5	mA	Load: [10 kΩ    10 pF] ± 10%
V <sub>control</sub> Range	0.5	1.5	2.5	Volts	1.50 volts nominal
V <sub>control</sub> Input Impedance	100	-	-	kΩ	
Frequency Pullability	±5.0	-	-	ppm	Positive Slope
Output Waveform	Clipped Sine				
Output Level	0.8	-	-	Vp-p	Load: [10 kΩ    10 pF] ± 10%
Start-up Time	-	-	5.0	mS	
Phase Noise	100 Hz 1 kHz 10 kHz	-130 -145 -154	-	dBc/Hz	25°C ± 2°C
Storage Temperature Range	-55	-	+125	°C	

Note: <sup>1</sup> Place a 10nF power supply bypass capacitor next to device for correct operation  
<sup>2</sup> Connect 0.033µF capacitor on pin 7 to ground, required to meet phase noise performance



## Device Marking

1000 YMD  • P zzz	1000 = 10.0MHz Frequency YMD = Date Code (year, month, day) z = Internal factory codes P = Pletronics
-------------------------	--

Specifications such as part number, frequency stability, supply voltage and operating temperature range, etc. are not identified from marking.

External packaging labels and packing list will correctly identify the ordered Pletronics part number.

Codes for Date Code YMD (Year Month Day)

Code	2	3	4	5	6	Code	A	B	C	D	E	F	G	H	J	K	L	M													
Year	2022	2023	2024	2025	2026	Month	JAN	FEB	MAR	APR	MAY	JUN	JUL	AUG	SEP	OCT	NOV	DEC													
Code	1	2	3	4	5	6	7	8	9	A	B	C	D	E	F	G	H	J	K	L	M	N	P	R	T	U	V	W	X	Y	Z
Day	1	2	3	4	5	6	7	8	9	10	11	12	13	14	15	16	17	18	19	20	21	22	23	24	25	26	27	28	29	30	31

## Package Labeling

P/N Label is 1" x 2.6" (25.4mm x 66.7mm)  
 Font is Courier New  
 Bar code is 39-Full ASCII

RoHS Label is 1" x 2.6" (25.4mm x 66.7mm)  
 Font is Arial

P/N:	
OEDA015-10.0M	
Customer P/N:	
12345678	
Qty:	
MSL: 1	1000
	OeXO®
	D/C
	2BL

<b>RoHS Compliant</b>  2nd LvL Interconnect Category=e4  Max Safe Temp=260C for 10s 2X Max
---

### Pletronics Inc. certifies this device is in accordance with the RoHS and REACH directives.

Pletronics Inc. guarantees the device does not contain the following: Cadmium, Hexavalent Chromium, Lead, Mercury, PBB's, PBDE's

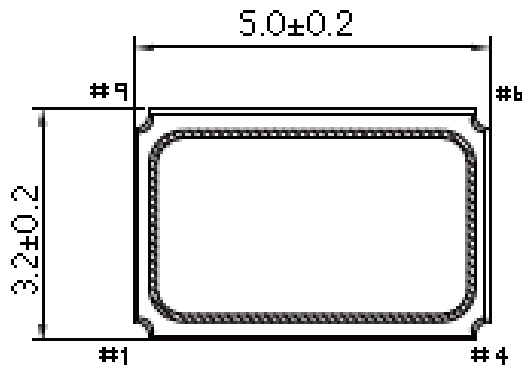
Weight of the Device: 0.10 grams

Moisture Sensitivity Level: 1 As defined in J-STD-020D

Second Level Interconnect code: e4

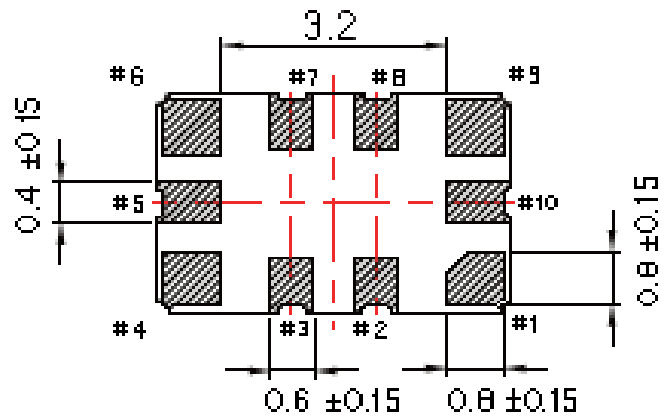
## Mechanical Dimensions (mm)

[ TOP VIEW ]

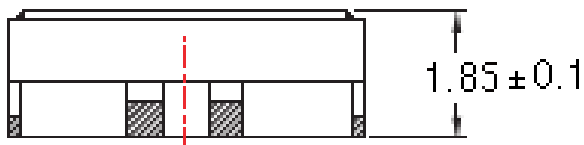


Pin 1 Mark

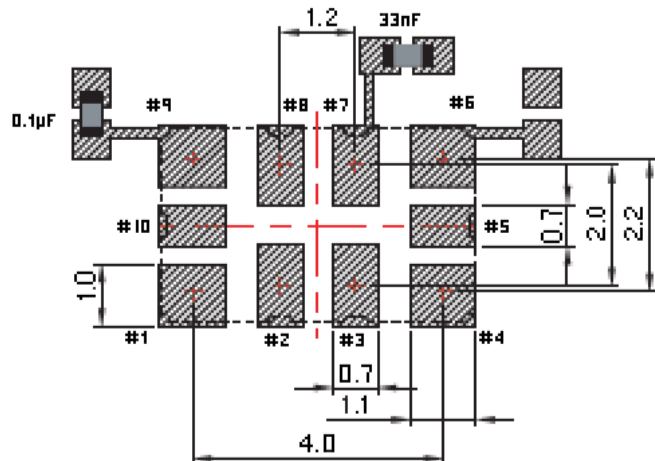
[ BOTTOM VIEW ]



[ SIDE VIEW ]



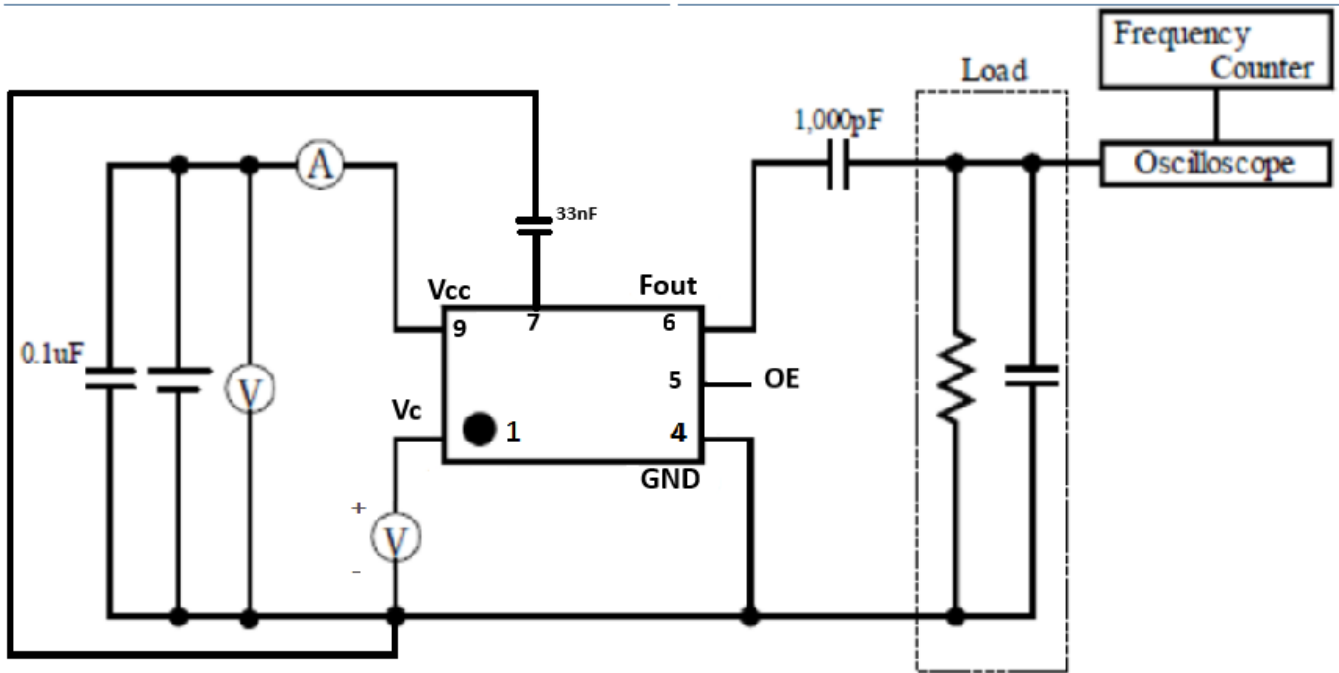
PIN#	FUNCTION
1	V <sub>CON</sub> :VC-TCXO
2	NC
3	NC
4	GND
5	Tri-state
6	Fout
7	VC Filter
8	NC
9	V <sub>DD</sub>
10	GND



Recommended soldering layout

To ensure optimal performance, place a 0.1µF capacitor as close as possible to the TCXO between V<sub>DD</sub> and ground pads

## Electrical Test /Load Circuit



## Environmental / ESD Ratings

### Reliability: Environmental

Parameter	Condition
Mechanical Shock	MIL-STD-883, Method 2002, Condition B
Vibration	MIL-STD-883, Method 2007, Condition A
Solderability	IPC J-STD-002
Thermal Cycle	MIL-STD-883 Method 1010, Condition B

### ESD Rating

Model	Min. Voltage	Condition
Human Body Model	2000V	JESD22-A114
Machine Model	200V	JESD22-A115

### Absolute Maximum Ratings

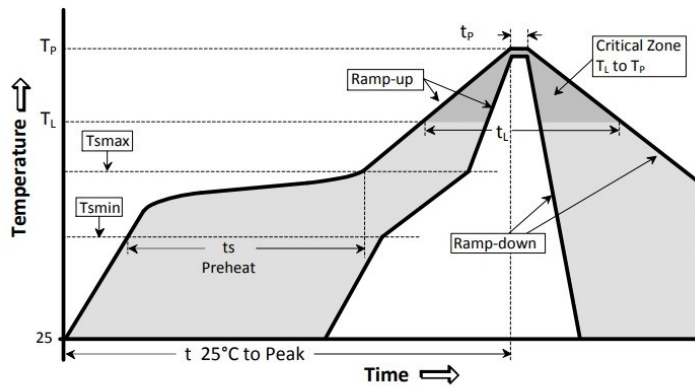
Parameter	Unit
V <sub>cc</sub> Supply Voltage	-0.6V to +4.6V
V <sub>i</sub> Input Voltage	-0.6V to V <sub>cc</sub> + 0.6V
I <sub>o</sub> Output Current	±10mA

### Thermal Characteristics:

The maximum die or junction temperature is 125°C

## Reflow Cycle

Maximum Reflow Conditions in accordance with IPC/JEDEC J-STD-020C "Pb-free"

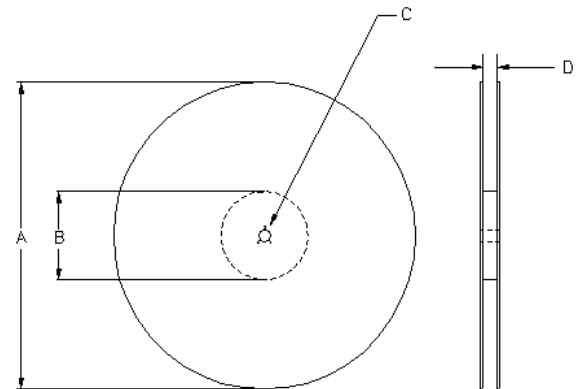
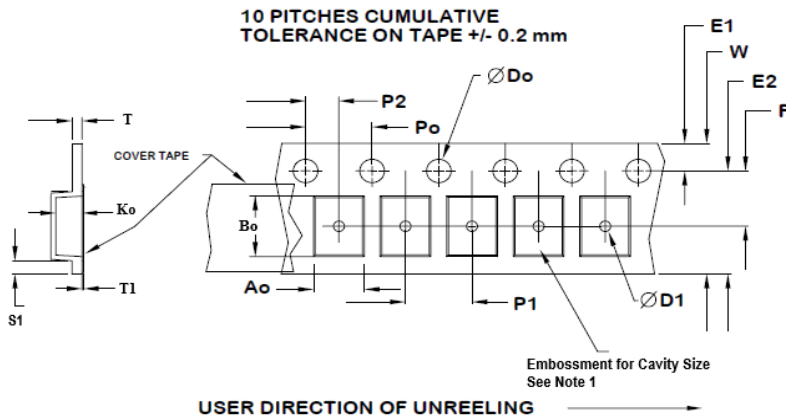


The part may be reflowed 2 times without degradation (typical for lead free processing).

Temperature Profile	Symbol	Condition	Unit
Average ramp-up rate	$(T_{S_{max}} \text{ to } T_P)$	3°C / second max	°C / s
Ramp down Rate	$T_{cool}$	6°C / second max	°C / s
Time 25°C to Peak Temperature	$T_{to-peak}$	8 minutes max	min
<b>Preheat</b>			
Temperature min	$T_{S_{min}}$	150	°C
Temperature max	$T_{S_{max}}$	200	°C
Time $T_{S_{min}}$ to $T_{S_{max}}$	$t_s$	60 – 180	sec
<b>Soldering above liquidus</b>			
Temperature liquidus	$T_l$	217	°C
Time above liquidus	$t_l$	60 – 150	sec
<b>Peak temperature</b>			
Peak Temperature	$T_p$	260	°C
Time within 5°C of peak temperature	$t_p$	20 – 40	sec

## Tape and Reel

Tape and Reel available for quantities of 250 to 1000 per reel, cut tape for < 250. 12mm tape, 8mm pitch.



Tape Size	E2 typ	F	P1	W max	Ao	Bo	Ko
12mm	10.25	5.5 ±0.05	8.0 ±0.1	12.2	3.5±0.1	5.3±0.1	1.9±0.1

Dimensions in mm Drawing Not to scale  
Note 1: Embossed cavity to conform to EIA-481-B

Tape Size	Do	D1 min	E1	Po	P2	S1 min	T max	T1 max
12mm	1.5 +0.1 -0.0	1.5	1.75 ±0.1	4.0 ±0.1	2.0 ±0.05	0.6	0.3	0.1

Reel Size	A		B		C	D
	Inches	mm	Inches	mm	mm	mm
7	7.0	180	2.50	60	13.0 +0.5 -0.2	Tape size +0.4 +2.0 -0.0



## Important Notice

Pletronics Incorporated (PLE) reserves the right to make corrections, improvements, modifications and other changes to this product at anytime. PLE reserves the right to discontinue any product or service without notice. Customers are responsible for obtaining the latest relevant information before placing orders and should verify that such information is current and complete. All products are sold subject to PLE's terms and conditions of sale supplied at the time of order acknowledgment.

PLE warrants performance of this product to the specifications applicable at the time of sale in accordance with PLE's limited warranty. Testing and other quality control techniques are used to the extent PLE deems necessary to support this warranty. Except where mandated by specific contractual documents, testing of all parameters of each product is not necessarily performed.

PLE assumes no liability for application assistance or customer product design. Customers are responsible for their products and applications using PLE components. To minimize the risks associated with the customer products and applications, customers should provide adequate design and operating safeguards.

PLE products are not designed, intended, authorized or warranted to be suitable for use in life support applications, weapons, weapon systems or space applications, devices or systems or other critical applications that may involve potential risks of death, personal injury or severe property or environmental damage. Inclusion of PLE products in such applications is understood to be fully at the risk of the customer. Use of PLE products in such applications requires the written approval of an appropriate PLE officer. Questions concerning potential risk applications should be directed to PLE.

PLE does not warrant or represent that any license, either express or implied, is granted under any PLE patent right, copyright, artwork or other intellectual property right relating to any combination, machine or process which PLE product or services are used. Information published by PLE regarding third-party products or services does not constitute a license from PLE to use such products or services or a warranty or endorsement thereof. Use of such information may require a license from a third party under the patents or other intellectual property of the third party, or a license from PLE under the patents or other intellectual property of PLE.

Reproduction of information in PLE data sheets or web site is permissible only if the reproduction is without alteration and is accompanied by associated warranties, conditions, limitations and notices. Reproduction of this information with alteration is an unfair and deceptive business practice. PLE is not responsible or liable for such altered documents.

Resale of PLE products or services with statements different from or beyond the parameters stated by PLE for that product or service voids all express and implied warranties for the associated PLE product or service and is an unfair or deceptive business practice. PLE is not responsible for any such statements.

### Contacting Pletronics Inc.

Pletronics, Inc.  
19013 36th Ave. West  
Lynnwood, WA 98036-5761  
U.S.A.

Tel: 425.776.1880  
Fax: 425.776.2760  
email: [ple-sales@pletronics.com](mailto:ple-sales@pletronics.com)

URL: [www.pletronics.com](http://www.pletronics.com)