



Switches > Push Button Switches



Configuration (Pole-Throw): **Single Pole - Single Throw**

Push Button Switch Product Type: **Switch**

Number of Actuators: **Single**

Actuator Profile: **Extended**

Bushing Style: **Threaded**

Features

Product Type Features

Switch Connection Type	Wire Lugs
Push Button Switch Product Type	Switch
Illuminated	Without
Actuator Style	Round

Configuration Features

	.253 in
Configuration (Pole-Throw)	Single Pole - Single Throw
Number of Actuators	Single
Snap Action	Without
Support Bracket	Without
Switch Feedback Type	Non-Tactile
Operating Function	NO, Momentary

Electrical Characteristics

Operating Voltage Range	125 VAC
-------------------------	---------

Body Features

Case Material	Phenol Resin
Actuator Material	Thermoplastic
Product Orientation	Vertical
Actuator Profile	Extended
Bushing Style	Threaded
Bushing Thread Size	1/4-40
Actuator Color	Black

Contact Features

Contact Base Material	Copper Alloy
Contact Current Rating	3 A
Switch Contact Plating Material	Silver

Mechanical Attachment

Thread Size	1/4-40 UNS-2A
-------------	---------------

Housing Features

Low Profile	No
Process Sealed	No

Dimensions

Actuator Length	2.5 mm[.098 in]
Button Width	3.98 mm[.157 in]
Bushing Length	5.97 mm[.235 in]

Usage Conditions

Operating Temperature Range	-20 – 80 °C
-----------------------------	-------------

Packaging Features

Packaging Method	Bulk
------------------	------

Product Compliance

[For compliance documentation, visit the product page on TE.com>](#)

EU RoHS Directive 2011/65/EU	Compliant with Exemptions
EU ELV Directive 2000/53/EC	Compliant with Exemptions
China RoHS 2 Directive MIIT Order No 32, 2016	Restricted Materials Above Threshold
EU REACH Regulation (EC) No. 1907/2006	



Current ECHA Candidate List: JUNE 2023 (235)

Candidate List Declared Against: JUNE 2023 (235)

SVHC > Threshold:

Pb (3.7% in Component Part)

Article Safe Usage Statements:

Do not eat, drink or smoke when using this product. Wash thoroughly after handling. Recycle if possible and dispose of the article by following all applicable governmental regulations relevant to your geographic location.

Halogen Content

Low Halogen - Br, Cl, F, I < 900 ppm per homogenous material. Also BFR/CFR/PVC Free

Solder Process Capability

Not reviewed for solder process capability

Product Compliance Disclaimer

This information is provided based on reasonable inquiry of our suppliers and represents our current actual knowledge based on the information they provided. This information is subject to change. The part numbers that TE has identified as EU RoHS compliant have a maximum concentration of 0.1% by weight in homogenous materials for lead, hexavalent chromium, mercury, PBB, PBDE, DBP, BBP, DEHP, DIBP, and 0.01% for cadmium, or qualify for an exemption to these limits as defined in the Annexes of Directive 2011/65/EU (RoHS2). Finished electrical and electronic equipment products will be CE marked as required by Directive 2011/65/EU. Components may not be CE marked. Additionally, the part numbers that TE has identified as EU ELV compliant have a maximum concentration of 0.1% by weight in homogenous materials for lead, hexavalent chromium, and mercury, and 0.01% for cadmium, or qualify for an exemption to these limits as defined in the Annexes of Directive 2000/53/EC (ELV). Regarding the REACH Regulation, the information TE provides on SVHC in articles for this part number is based on the latest European Chemicals Agency (ECHA) 'Guidance on requirements for substances in articles' posted at this URL: <https://echa.europa.eu/guidance-documents/guidance-on-reach>

Compatible Parts




TE Part # 1825516-1
MSP103B04



TE Part # 1825516-2
MSP103C04




TE Part # 1825516-4
MSP103C204



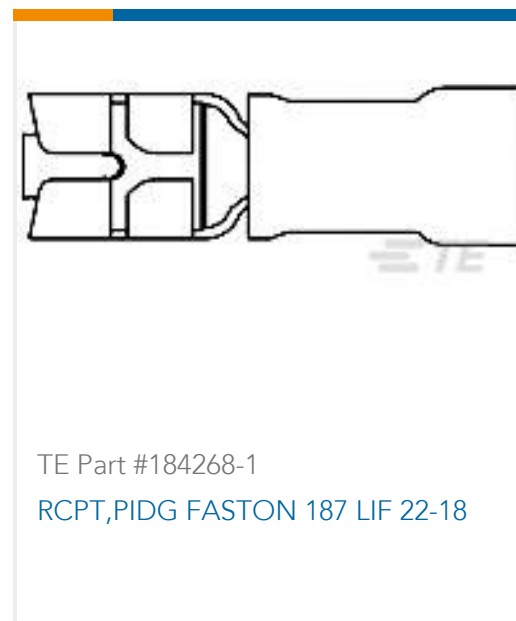
TE Part # 1825333-2
MSP103C0G04 Pushbutton switch

Also in the Series | Alcoswitch MSP3



Push Button Switches(4)

Customers Also Bought



Documents

Product Drawings

[MSP103C004](#)

English

CAD Files

[3D PDF](#)

3D

Customer View Model

[ENG_CVM_CVM_1825516-3_C.2d_dxf.zip](#)

English

Customer View Model

[ENG_CVM_CVM_1825516-3_C.3d_igs.zip](#)

English

Customer View Model

[ENG_CVM_CVM_1825516-3_C.3d_stp.zip](#)

English

By downloading the CAD file I accept and agree to the [Terms and Conditions](#) of use.