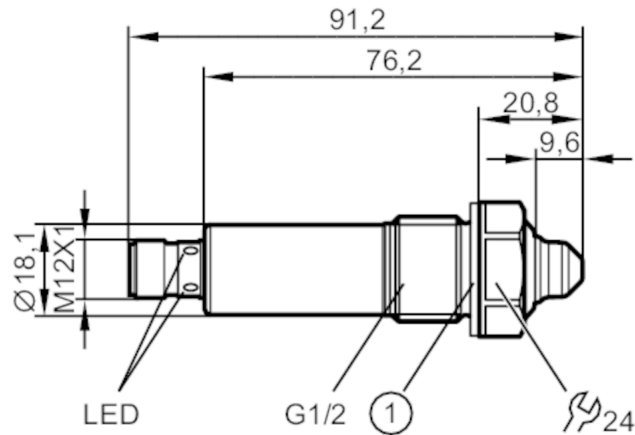


LMC400



Sensor for point level detection

LMGCE-C12E-QSKG-0/US



1 Sealing



Product characteristics

Number of inputs and outputs	Number of digital outputs: 2
Factory setting	water; hydrous media
Process connection	G 1/2 external thread

Application

Special feature	Gold-plated contacts
Media	water; hydrous media; oils; oil-based media; coolants; powder
Cannot be used for	See the operating instructions, chapter "Function and features".
Medium temperature [°C]	-25...100
Probe length [mm]	9.6
Tank pressure [bar]	-1...40
MAWP (for applications according to CRN) [bar]	40

Oil	
Medium temperature [°C]	-25...100

Electrical data

Operating voltage [V]	18...30 DC
Current consumption [mA]	< 35
Protection class	III
Reverse polarity protection	yes

Inputs / outputs

Number of inputs and outputs	Number of digital outputs: 2
------------------------------	------------------------------

Outputs

Total number of outputs	2
Output signal	switching signal; IO-Link
Electrical design	PNP/NPN
Number of digital outputs	2

LMC400



Sensor for point level detection

LMGCE-C12E-QSKG-0/US

Output function	normally open / normally closed; (parameterisable)
Max. voltage drop switching output DC [V]	2.5
Permanent current rating of switching output DC [mA]	50; (100 (...60 °C))
Short-circuit protection	yes
Type of short-circuit protection	thermal, pulsed
Overload protection	yes

Measuring/setting range

Factory setting	water; hydrous media
-----------------	----------------------

Response times

Response time [s]	< 0.5
-------------------	-------

Interfaces

Communication interface	IO-Link				
Transmission type	COM2 (38,4 kBaud)				
IO-Link revision	1.1				
SDCI standard	IEC 61131-9				
Profiles	Smart Sensor: Process Data Variable; Device Identification, Device Diagnosis				
SIO mode	yes				
Required master port type	A				
Process data analogue	1				
Process data binary	2				
Min. process cycle time [ms]	2.3				
Supported DeviceIDs	<table><thead><tr><th>Type of operation</th><th>DeviceID</th></tr></thead><tbody><tr><td>Default</td><td>674</td></tr></tbody></table>	Type of operation	DeviceID	Default	674
Type of operation	DeviceID				
Default	674				

Operating conditions

Ambient temperature [°C]	-25...85
Note on ambient temperature	for installation in probe observe the temperature in the pipe, see installation instructions
Storage temperature [°C]	-40...85
Protection	IP 68; IP 69K; (7 days / 1 m water depth / 0.1 bar: IP 68)

Tests / approvals

EMC	DIN EN 61000-6-2	
	DIN EN 61000-6-3	: closed tanks
	DIN EN 61000-6-4	: open tanks
Shock resistance	DIN EN 60068-2-27	50 g (11 ms)
Vibration resistance	DIN EN 60068-2-6	20 g (10...2000 Hz)
MTTF [years]		534
UL approval	UL Approval no.	H004

Mechanical data

Weight [g]	127.5
Dimensions [mm]	Ø 18.1 / L = 76.2
Materials	stainless steel (1.4404 / 316L); PEEK; PEI; FKM
Materials (wetted parts)	stainless steel (1.4404 / 316L); PEEK; FKM
Process connection	G 1/2 external thread

LMC400



Sensor for point level detection

LMGCE-C12E-QSKG-0/US

Displays / operating elements

Display	switching status	LED, yellow
	operating status	LED, green

Remarks

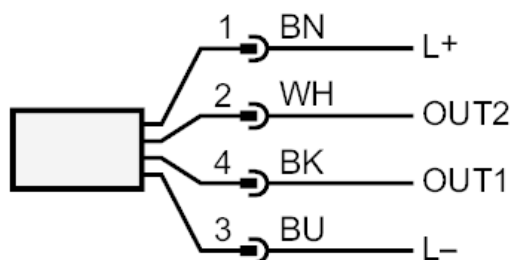
Pack quantity	1 pcs.
---------------	--------

Electrical connection

Connector: 1 x M12; coding: A; Contacts: gold-plated



Connection



OUT1: switching output IO-Link
OUT2: switching output
colours to DIN EN 60947-5-2

Core colours :

BK = black
BN = brown
BU = blue
WH = white