

KU-11A31-120 ✓ ACTIVE

Potter & Brumfield | Potter & Brumfield KUP

TE Internal #: 9-1393109-1

Power Relays, Industrial Panel Plug-In, Monostable, AC, 2 VA Coil

Power Rating AC, 2250 Ω Coil Resistance, Potter & Brumfield KUP

[View on TE.com >](#)



Relays & Contactors > Relays > Power Relays



Power Relay Type: **Industrial Panel Plug-In**

Coil Magnetic System: **Monostable, AC**

Coil Power Rating Class: **[2 – 3 VA]**

Coil Power Rating AC: **2 VA**

Coil Resistance: **2250 Ω**

Features

Product Type Features

Power Relay Type	Industrial Panel Plug-In
------------------	--------------------------

Electrical Characteristics

Insulation Initial Dielectric Between Coil & Contact Class	1500 – 2500 V
--	---------------

Insulation Initial Dielectric Between Contacts & Coil	2200 Vrms
---	-----------

Actuating System	AC
------------------	----

Insulation Initial Dielectric Between Open Contacts	1200 Vrms
---	-----------

Contact Limiting Making Current	5 A
---------------------------------	-----

Contact Limiting Short-Time Current	5 A
-------------------------------------	-----

Contact Limiting Continuous Current	5 A
-------------------------------------	-----

Insulation Initial Dielectric Between Adjacent Contacts	2200 Vrms
---	-----------

Insulation Initial Resistance	100 M Ω
-------------------------------	----------------

Contact Limiting Breaking Current	5 A
-----------------------------------	-----

Coil Magnetic System	Monostable, AC
----------------------	----------------

2 – 3 VA

Coil Power Rating AC	2 VA
----------------------	------

Coil Resistance	2250 Ω
-----------------	---------------

Coil Special Features	UL Coil Insulation Class B
-----------------------	----------------------------

Coil Voltage Rating	120 VAC
---------------------	---------

Contact Switching Load (Min)	100mA @ 12V
------------------------------	-------------



Contact Voltage Rating 240 VAC

Body Features

Product Weight 85 g[2.988 oz]

Contact Features

Contact Arrangement 2 Form C (CO)

Contact Current Class 16 A

Contact Current Rating (Max) 5 A

Contact Material Ag

Contact Number of Poles 2

Relay Terminal Type Plug-In, Quick Connect, Solder

Mechanical Attachment

Relay Mounting Type Panel Mount, Tapped Core

Dimensions

Length Class (Mechanical) 55 – 65 mm

Height Class (Mechanical) 30 – 40 mm

Width Class (Mechanical) 30 – 40 mm

Product Width 37.3 mm[1.468 in]

Product Length 60 mm[2.43 in]

Product Height 35.6 mm[1.402 in]

Usage Conditions

Environmental Ambient Temperature Class 50 – 70 °C

Environmental Ambient Temperature (Max) 55 °C[131 °F]

Operating Temperature Range -45 – 55 °C

Packaging Features

Packaging Method Package

Product Compliance

[For compliance documentation, visit the product page on TE.com>](#)

EU RoHS Directive 2011/65/EU Compliant

EU ELV Directive 2000/53/EC Compliant

China RoHS 2 Directive MIIT Order No 32, 2016 No Restricted Materials Above Threshold

EU REACH Regulation (EC) No. 1907/2006



Current ECHA Candidate List: JUNE 2023 (235)
 Candidate List Declared Against: JUNE 2022 (224)
 Does not contain REACH SVHC

Halogen Content	Not Yet Reviewed for halogen content
Solder Process Capability	Not applicable for solder process capability

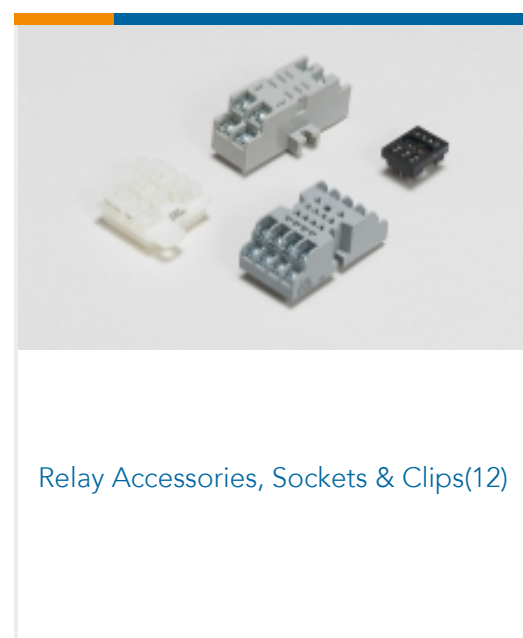
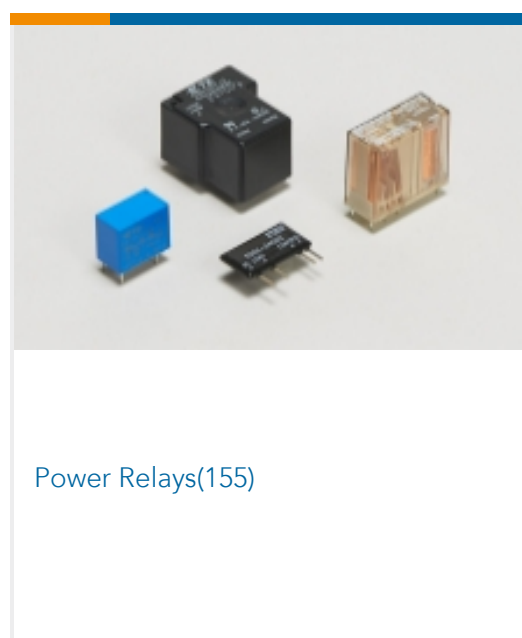
Product Compliance Disclaimer

This information is provided based on reasonable inquiry of our suppliers and represents our current actual knowledge based on the information they provided. This information is subject to change. The part numbers that TE has identified as EU RoHS compliant have a maximum concentration of 0.1% by weight in homogenous materials for lead, hexavalent chromium, mercury, PBB, PBDE, DBP, BBP, DEHP, DIBP, and 0.01% for cadmium, or qualify for an exemption to these limits as defined in the Annexes of Directive 2011/65/EU (RoHS2). Finished electrical and electronic equipment products will be CE marked as required by Directive 2011/65/EU. Components may not be CE marked. Additionally, the part numbers that TE has identified as EU ELV compliant have a maximum concentration of 0.1% by weight in homogenous materials for lead, hexavalent chromium, and mercury, and 0.01% for cadmium, or qualify for an exemption to these limits as defined in the Annexes of Directive 2000/53/EC (ELV). Regarding the REACH Regulation, the information TE provides on SVHC in articles for this part number is based on the latest European Chemicals Agency (ECHA) 'Guidance on requirements for substances in articles' posted at this URL: <https://echa.europa.eu/guidance-documents/guidance-on-reach>

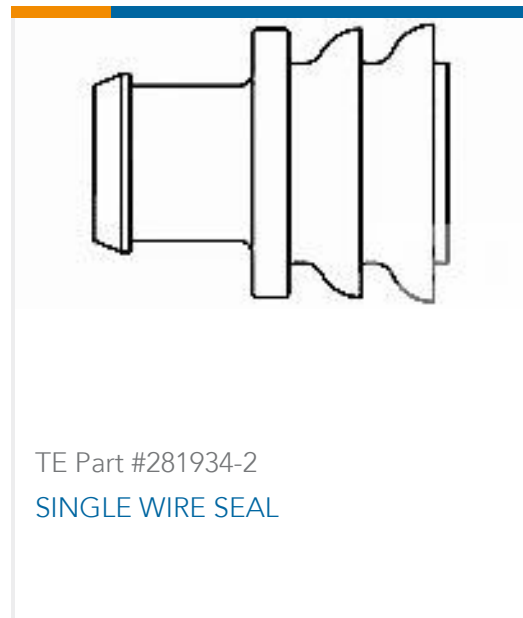
Compatible Parts



Also in the Series | Potter & Brumfield KUP



Customers Also Bought



Documents

CAD Files

[3D PDF](#)

3D

Customer View Model

[ENG_CVM_CVM_9-1393109-1_D.2d_dxf.zip](#)

English

Customer View Model

[ENG_CVM_CVM_9-1393109-1_D.3d_igs.zip](#)

English

Customer View Model

[ENG_CVM_CVM_9-1393109-1_D.3d_stp.zip](#)

English

By downloading the CAD file I accept and agree to the [Terms and Conditions](#) of use.

Datasheets & Catalog Pages

[KUP Series Panel Plug-in Relay](#)

English

Product Specifications

[Definitions General Purpose Relays](#)

English

Agency Approvals

[UL](#)

English