

 [Print this page](#)**UART with One Byte FIFO****Features**

- Pin compatible to SSI 73M1550/2550/Software compatible INS8250, NS16450
- 1.5 Mbps transmit/receive operation (24MHz Max.) with programmable clock control
- Modem control signals (-CTS, -RTS, -DSR, -DTR, -RI, -CD)
- Programmable character lengths (5, 6, 7, 8) with even, odd, or no parity
- Four levels of prioritized interrupts, minimize external software interaction
- Software controlled tri-state interrupt outputs
- Provides enhanced 16C450 features for power down and software controllable reset output
- Crystal or external clock input
- 460.8 Kbps transmit/receive operation with 7.3728 MHz crystal or external clock source
- Pb-Free, RoHS Compliant Versions Offered

**Applications**

- Battery Operated Electronics
- Internet Appliances
- Handheld Terminal
- Personal Digital Assistants
- Cellular Phones DataPort

**Description**

The ST16C1450 series is a universal asynchronous receiver and transmitter (UART). The ST16C1450 is foot print compatible to the SSI 73M1550 and SSI 73M2550 UART with one byte FIFO and higher operating speed and lower access time. The ST16C1450 provides enhanced UART functions with a modem control interface, independent programmable baud rate generators with clock rates to 1.5 Mbps.

On board status registers provide the user with error indications and operational status. System interrupts and modem control features may be tailored by external software to meet specific user requirements. An internal loop-back capability allows on board diagnostics. The ST16C1450 is available in a 28-pin PLCC and 48-pin TQFP packages. The baud rate generator can be configured for either crystal or external clock input.

**Specifications**

CH	1
CPUInterface	Intel
Data Rate@5/3.3/2.5V	1.5/0.5/na
Tx/RxFIFO(Bytes)	1/1
Tx/RxFIFOCtrs	No
Tx/RxFIFOINT Trig	No/No
AutoRTS/CTS	No
IrDaSup	No
5VTollInputs	No
Sup V	2.97-5.5
Pkgs	PLCC-28, TQFP-48

**Documents**► **Datasheets**

[Datasheet  
Version 4.2.1  
August 2005  
613.09 KB](#)

► **Application Notes**

[DAN-107, Interfacing 16Cxxx  
UARTs to a CPU  
Version 1.0.0  
August 1999  
32.43 KB](#)

[DAN-108, UART Crystal  
Oscillator Design Guide  
Version 1.0.0  
March 2000  
58.16 KB](#)

[AN-1450/AN-1550, ST16C1450  
and ST16C1550 Application  
Example  
Version 1.0.0  
December 1996  
43.29 KB](#)

► [Info Request](#)► [How to Order  
Samples](#)► [How to Buy](#)► [Technical  
Documentation](#)► [Technical  
FAQs](#)► [Product Finder](#)► [Product Tree](#)► [Technical  
Support](#)► [Packaging](#)► [Evaluation  
Boards](#)► [Cross  
References](#)► [Product  
Change  
Notifications](#)► [Obsolescence](#)► [Interface  
Brochure](#)► [IBIS Models](#)► [BSDL](#)► [ICI](#)► [UART Finder](#)

The 48-pin TQFP provides a buffered reset output that can be controlled through user software. The ST16C1450 is fabricated in an advanced CMOS process to achieve low drain power and high speed requirements.

[General UART Application Note](#)  
[Version 1.0.0](#)  
[December 1996](#)  
[39.81 KB](#)

► [Quality & Reliability Homepage](#)

► [Material Declaration Sheets](#)





► [Quality Manual](#)

► [Quarterly Quality & Reliability Report](#)

► [RoHS-Green Solutions](#)

The ST16C145 is not compatible with the industry standard 16450 and will not work with the standard serial port driver in MS Windows. For a MS Windows compatible UART, see the [ST16C450](#).

For UART technical support or to obtain an IBIS model for this product, please email [Exar's UART Technical Support group](#).

Part Number	Pkg Code	RoHS	Min Temp. (°C)	Max Temp. (°C)	Status	Buy Now	Order Samples
ST16C1450CJ28-F	<a href="#">PLCC28</a>		0	70	Active	<input type="checkbox"/>	<input type="checkbox"/>
ST16C1450CQ48-F	<a href="#">TQFP48</a>		0	70	Active	<input type="checkbox"/>	<input type="checkbox"/>
ST16C1450IJ28-F	<a href="#">PLCC28</a>		-40	85	Active	<input type="checkbox"/>	<input type="checkbox"/>
ST16C1450IQ48-F	<a href="#">TQFP48</a>		-40	85	Active	<input type="checkbox"/>	<input type="checkbox"/>

#### Part Status Legend

**Active** - the part is released for sale, standard product.

**EOL (End of Life)** - the part is no longer being manufactured, there may or may not be inventory still in stock.

**CF (Contact Factory)** - the part is still active but customers should check with the factory for availability. Longer lead-times may apply.

**PRE (Pre-introduction)** - the part has not been introduced or the part number is an early version available for sample only.

**OBS (Obsolete)** - the part is no longer being manufactured and may not be ordered.

**NRND (Not Recommended for New Designs)** - the part is not recommended for new designs.

### GENERAL DESCRIPTION

The ST16C1450 is a universal asynchronous receiver and transmitter (UART). The 1450 is foot print compatible to the SSI 73M1550 and SSI 73M2550 UART with one byte FIFO and higher operating speed and lower access time. The 1450 provides enhanced UART functions with a modem control interface, independent programmable baud rate generators with clock rates to 1.5 Mbps. On board status registers provide the user with error indications and operational status. System interrupts and modem control features may be tailored by external software to meet specific user requirements. An internal loop-back capability allows on board diagnostics. The 1450 is available in a 28-pin PLCC and 48-pin TQFP packages. The baud rate generator can be configured for either crystal or external clock input. The 48-pin TQFP package provides a buffered reset output that can be controlled through user software. The 1450 is fabricated in an advanced CMOS process to achieve low drain power and high speed requirements. The ST16C1450 is not compatible with the industry standard 16450 and will not work with the standard serial port driver in MS Windows (see pages 12-13 for details). For a MS Windows compatible UART, see the ST16C450.

### FEATURES

- Pin and functionally compatible to SSI 73M1550/2550
- 1 byte Transmit FIFO (THR)
- 1 byte Receive FIFO with error tags (RHR)
- Four levels of prioritized interrupts
- Modem Control Signals (CTS#, RTS#, DSR#, DTR#, RI#, CD#)
- Programmable character lengths (5, 6, 7, 8) with even, odd or no parity
- Crystal or external clock input
- 1.5 Mbps Transmit/Receive operation (24 MHz) with programmable clock control
- Power Down Mode (50 uA at 3.3 V, 200 uA at 5 V)
- Software controllable reset output
- 2.97 to 5.5 Volt operation

### APPLICATIONS

- Battery Operated Electronics
- Internet Appliances
- Handheld Terminal
- Personal Digital Assistants
- Cellular Phones DataPort

FIGURE 1. BLOCK DIAGRAM

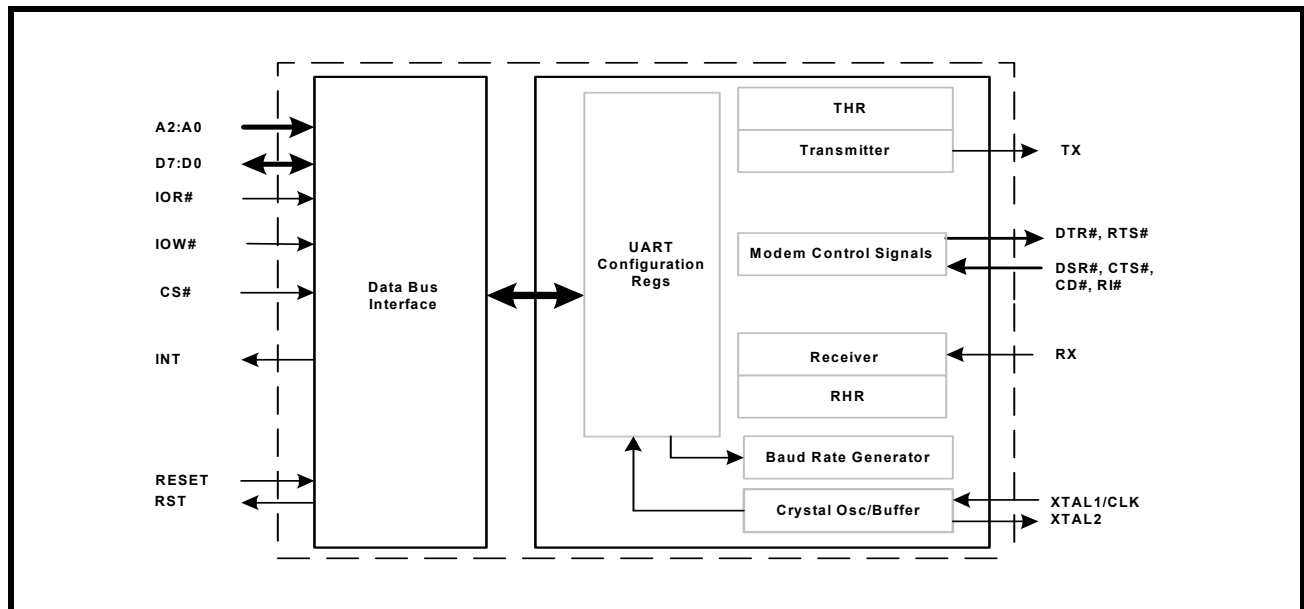
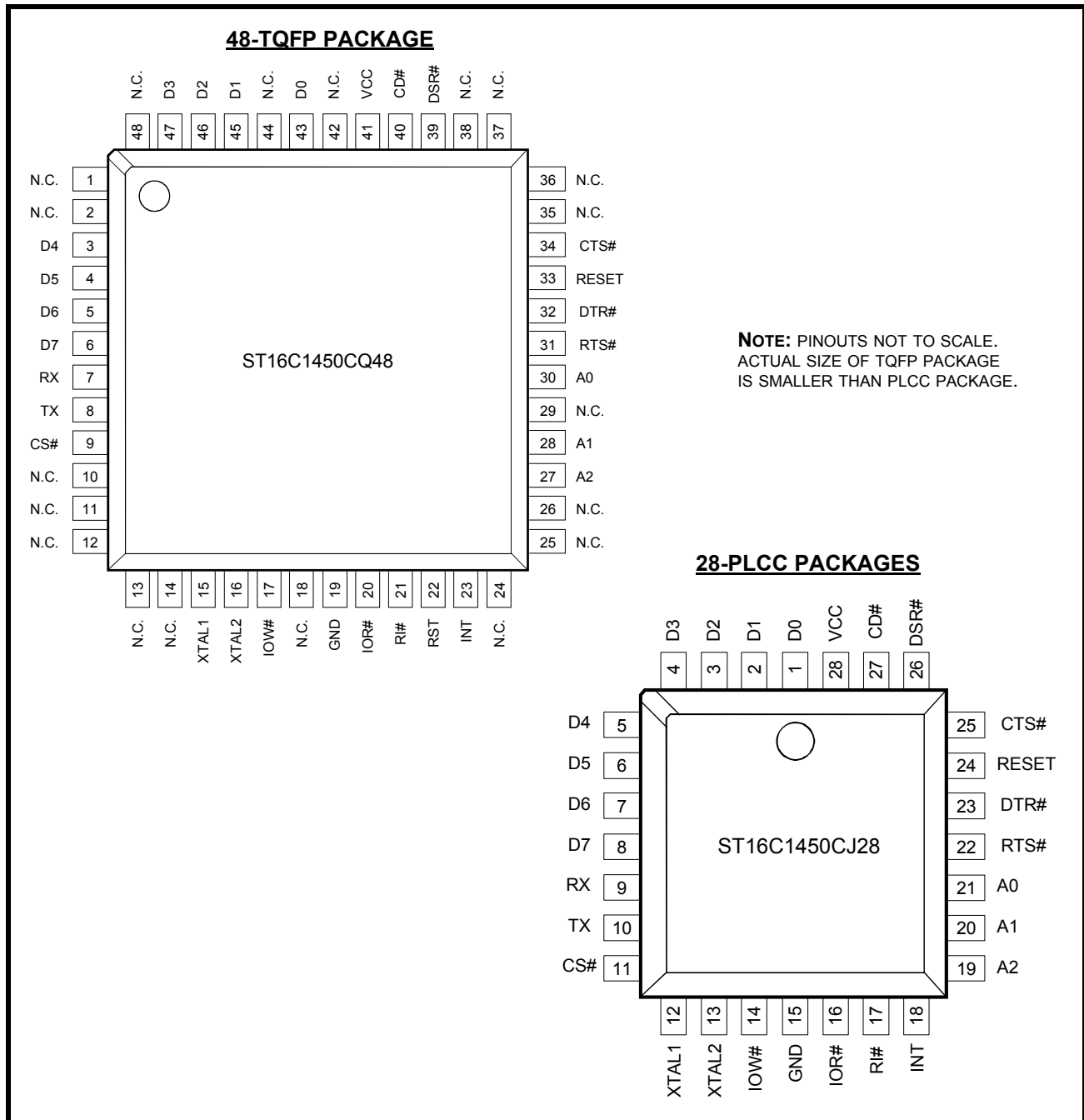


FIGURE 2. ST16C1450 PINOUTS



**ORDERING INFORMATION**

PART NUMBER	PACKAGE	OPERATING TEMPERATURE RANGE	DEVICE STATUS
ST16C1450CJ28	28-Lead PLCC	0°C to +70°C	Active
ST16C1450CQ48	48-Lead TQFP	0°C to +70°C	Active
ST16C1450IJ28	28-Lead PLCC	-40°C to +85°C	Active
ST16C1450IQ48	48-Lead TQFP	-40°C to +85°C	Active

## PIN DESCRIPTIONS

NAME	28-PIN PLCC	48-PIN TQFP	TYPE	DESCRIPTION
<b>DATA BUS INTERFACE</b>				
A0	21	30	I	Address data lines [2:0]. A2:A0 selects internal UART's configuration registers.
A1	20	28		
A2	19	27		
D0	1	43	I/O	Data bus lines [7:0] (bidirectional).
D1	2	45		
D2	3	46		
D3	4	47		
D4	5	3		
D5	6	4		
D6	7	5		
D7	8	6		
IOR#	16	20	I	Input/Output Read (active low). The falling edge instigates an internal read cycle and retrieves the data byte from an internal register pointed by the address lines [A2:A0], places it on the data bus to allow the host processor to read it on the leading edge.
IOW#	14	17	I	Input/Output Write (active low). The falling edge instigates the internal write cycle and the rising edge transfers the data byte on the data bus to an internal register pointed by the address lines [A2:A0].
CS#	11	9	I	Chip Select input (active low). A logic 0 on this pin selects the ST16C1450 device.
INT	18	23	O	Interrupt Output (three-state, active high). INT output defaults to three-state mode and becomes active high when MCR bit-3 is set to a logic 1. INT output becomes a logic high level when interrupts are enabled in the interrupt enable register (IER), and whenever the transmitter, receiver, line and/or modem status register has an active condition.
<b>MODEM OR SERIAL I/O INTERFACE</b>				
TX	10	8	O	Transmit Data. This output is associated with individual serial transmit channel data from the 1450. The TX signal will be a logic 1 during reset, idle (no data), or when the transmitter is disabled. During the local loopback mode, the TX output pin is disabled and TX data is internally connected to the UART RX input.
RX	9	7	I	Receive Data. This input is associated with individual serial channel data to the 1450. Normal received data input idles at logic 1 condition. This input must be connected to its idle logic state, logic 1, else the receiver may report "receive break" and/or "error" condition(s).
RTS#	22	31	O	Request to Send or general purpose output (active low). If this pin is not needed for modem communication, then it can be used as a general I/O. If it is not used, leave it unconnected.
CTS#	25	34	I	Clear to Send or general purpose input (active low). If this pin is not needed for modem communication, then it can be used as a general I/O. If it is not used, connect it to VCC.
DTR#	23	32	O	Data Terminal Ready or general purpose output (active low). If this pin is not needed for modem communication, then it can be used as a general I/O. If it is not used, leave it unconnected.

NAME	28-PIN PLCC	48-PIN TQFP	TYPE	DESCRIPTION
DSR#	26	39	I	Data Set Ready input or general purpose input (active low). If this pin is not needed for modem communication, then it can be used as a general I/O. If it is not used, connect it to VCC.
CD#	27	40	I	Carrier Detect input or general purpose input (active low). If this pin is not needed for modem communication, then it can be used as a general I/O. If it is not used, connect it to VCC.
RI#	17	21	I	Ring Indicator input or general purpose input (active low). If this pin is not needed for modem communication, then it can be used as a general I/O. If it is not used, connect it to VCC.
<b>ANCILLARY SIGNALS</b>				
XTAL1	12	15	I	Crystal or external clock input. See <a href="#">Figure 3</a> for typical oscillator connections.
XTAL2	13	16	O	Crystal or buffered clock output. See <a href="#">Figure 3</a> for typical oscillator connections.
RESET	24	33	I	Reset Input (active high). When it is asserted, the UART configuration registers are reset to default values, see <a href="#">Table 6</a> .
RST	-	22	O	Reset Output (active high). This output is only available on the ST16C1451. When IER bit-5 is a logic 0, RST will follow the logical state of the RESET pin. When IER bit-5 is a logic 1, the user may send software (soft) resets via MCR bit-2. Soft resets from MCR bit-2 are "ORed" with the state of the RESET pin.
VCC	28	41	Pwr	Power supply input of 2.97 to 5.5V.
GND	15	19	Pwr	Power supply common ground.
N.C.	-	1, 2, 10-14, 18, 24-26, 29, 35-38, 42, 44, 48	-	Not connected.

Pin type: I=Input, O=Output, I/O= Input/output, OD=Output Open Drain.

## 1.0 PRODUCT DESCRIPTION

The ST16C1450 provides serial asynchronous receive data synchronization, parallel-to-serial and serial-to-parallel data conversions for both the transmitter and receiver sections. These functions are necessary for converting the serial data stream into parallel data that is required in digital data systems. Synchronization for the serial data stream is accomplished by adding start and stops bits to the transmit data to form a data character (character orientated protocol). Data integrity is ensured by attaching a parity bit to the data character. The parity bit is checked by the receiver for any transmission bit errors. The 1450 is capable of operation up to 1.5 Mbps with a 24 MHz crystal or external clock input with a 16X sampling clock (at VCC = 5.0V). With a crystal of 14.7456 MHz and through a software option, the user can select data rates up to 921.6 Kbps.

## 2.0 FUNCTIONAL DESCRIPTIONS

### 2.1 Internal Registers

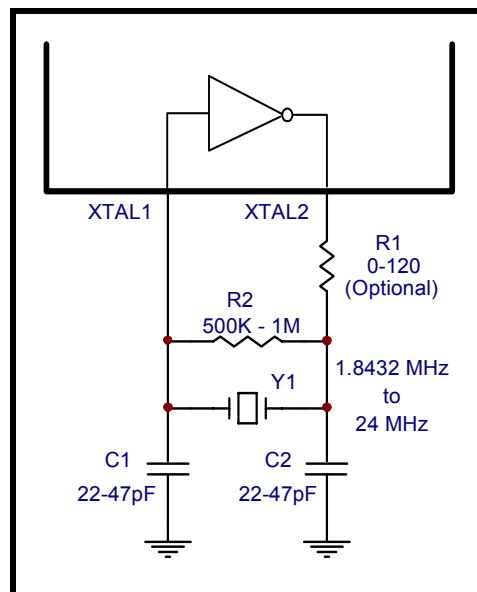
The 1450 has a set of enhanced registers for controlling, monitoring and data loading and unloading. These registers function as data holding registers (THR/RHR), interrupt status and control registers (ISR/IER), a FIFO control register (FCR), receive line status and control registers (LSR/LCR), modem status and control registers (MSR/MCR), programmable data rate (clock) divisor registers (DLL/DLM), and a user accessible scratchpad register (SPR). All the register functions are discussed in full detail later in **“Section 3.0, UART INTERNAL REGISTERS”** on page 10.

### 2.2 Crystal Oscillator or External Clock

The 1450 includes an on-chip oscillator (XTAL1 and XTAL2). The crystal oscillator provides the system clock to the Baud Rate Generators (BRG) in the UART. XTAL1 is the input to the oscillator or external clock buffer input with XTAL2 pin being the output. For programming details, see **“Section 2.3, Programmable Baud Rate Generator”** on page 5.

The on-chip oscillator is designed to use an industry standard microprocessor crystal (parallel resonant, fundamental frequency with 10-22 pF capacitance load, ESR of 20-120 ohms and 100ppm frequency tolerance) connected externally between the XTAL1 and XTAL2 pins (see **Figure 3**). Alternatively, an external clock can be connected to the XTAL1 pin to clock the internal baud rate generator for standard or custom rates. Typical oscillator connections are shown in **Figure 3**. For further reading on oscillator circuit please see application note DAN108 on EXAR's web site.

**FIGURE 3. TYPICAL OSCILLATOR CONNECTIONS**



### 2.3 Programmable Baud Rate Generator

The UART has its own Baud Rate Generator (BRG). The BRG divides the input crystal or external clock by a programmable divisor between 1 and  $(2^{16} - 1)$  to obtain a 16X sampling clock of the serial data rate. The sampling clock is used by the transmitter for data bit shifting and receiver for data sampling. The BRG divisor (DLL and DLM registers) defaults to a random value upon power up or a reset. Therefore, the BRG must be programmed during initialization to the operating data rate. Programming the Baud Rate Generator Registers DLM and DLL provides the capability of selecting the operating data rate. **Table 1** shows the standard data rates available with a 14.7456 MHz crystal or external clock at 16X clock rate. When using a non-standard data rate crystal or external clock, the divisor value can be calculated for DLL/DLM with the following equation.

$$\text{divisor (decimal)} = (\text{XTAL1 clock frequency}) / (\text{serial data rate} \times 16)$$

TABLE 1: TYPICAL DATA RATES WITH A 14.7456 MHz CRYSTAL OR EXTERNAL CLOCK

OUTPUT Data Rate	DIVISOR FOR 16x Clock (Decimal)	DIVISOR FOR 16x Clock (HEX)	DLM PROGRAM VALUE (HEX)	DLL PROGRAM VALUE (HEX)	DATA RATE ERROR (%)
400	2304	900	09	00	0
2400	384	180	01	80	0
4800	192	C0	00	C0	0
9600	96	60	00	60	0
19.2k	48	30	00	30	0
38.4k	24	18	00	18	0
76.8k	12	0C	00	0C	0
153.6k	6	06	00	06	0
230.4k	4	04	00	04	0
460.8k	2	02	00	02	0
921.6k	1	01	00	01	0

## 2.4 Transmitter

The transmitter section comprises of an 8-bit Transmit Shift Register (TSR) and an 8-bit Transmit Holding Register (THR). TSR shifts out every data bit with the 16X internal clock. A bit time is 16 clock periods. The transmitter sends the start-bit followed by the number of data bits, inserts the proper parity-bit if enabled, and adds the stop-bit(s). The status of the THR and TSR are reported in the Line Status Register (LSR bit-5 and bit-6).

### 2.4.1 Transmit Holding Register (THR) - Write Only

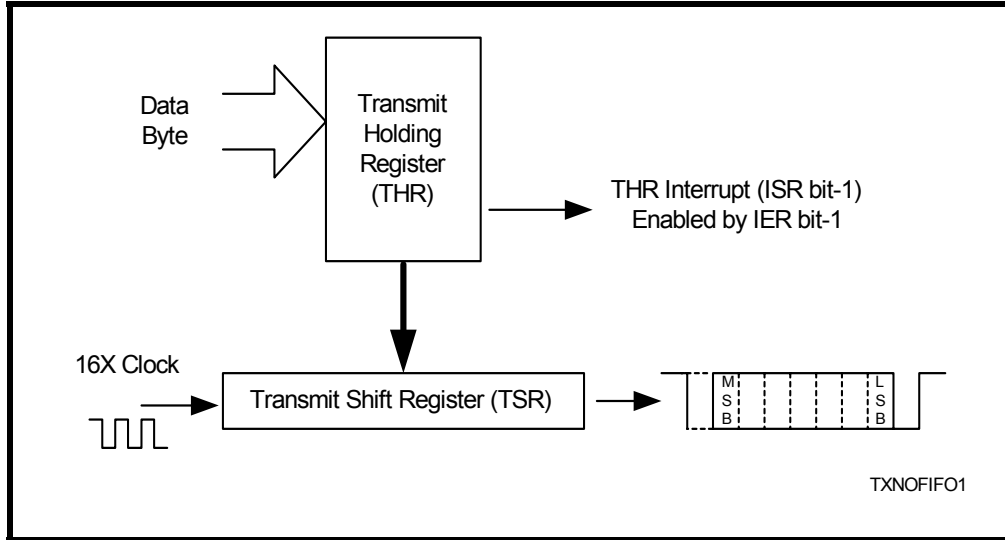
The transmit holding register is an 8-bit register providing a data interface to the host processor. The host writes transmit data byte to the THR to be converted into a serial data stream including start-bit, data bits, parity-bit and stop-bit(s). The least-significant-bit (Bit-0) becomes first data bit to go out.

### 2.4.2 Transmitter Operation

The host loads transmit data to THR one character at a time. The THR empty flag (LSR bit-5) is set when the data byte is transferred to TSR. The THR flag can generate a transmit empty interrupt (ISR bit-1) when it is enabled by IER bit-1. The TSR flag (LSR bit-6) is set when both the THR and TSR become completely empty.



FIGURE 4. TRANSMITTER OPERATION



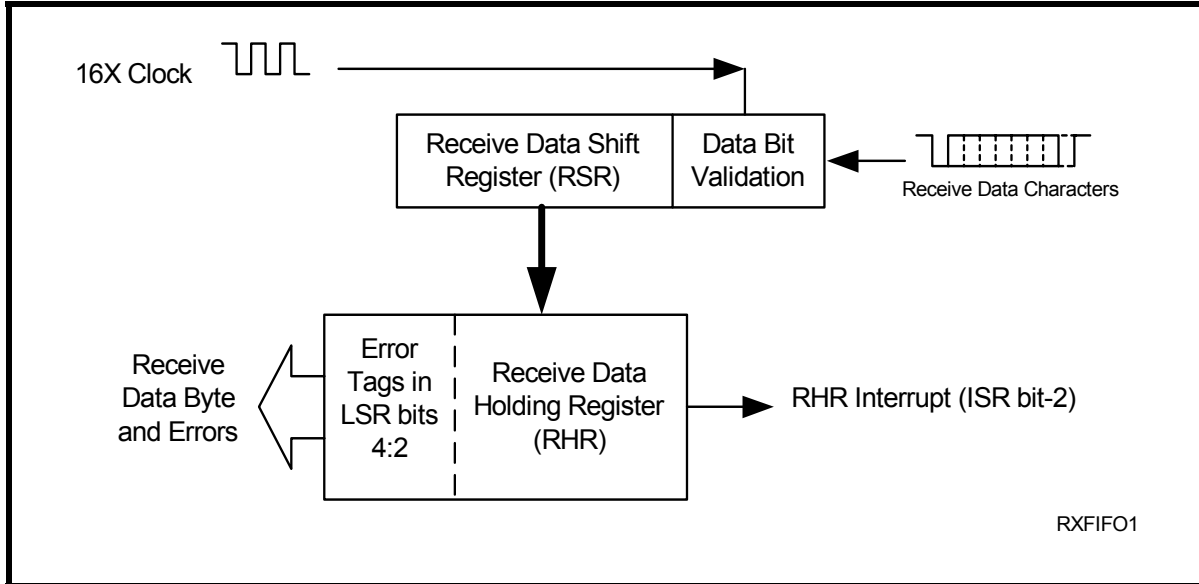
## 2.5 Receiver

The receiver section contains an 8-bit Receive Shift Register (RSR) and an 8-bit Receive Holding Register (RHR). The RSR uses the 16X clock for timing. It verifies and validates every bit on the incoming character in the middle of each data bit. On the falling edge of a start or false start bit, an internal receiver counter starts counting at the 16X clock rate. After 8 clocks the start bit period should be at the center of the start bit. At this time the start bit is sampled and if it is still a logic 0 it is validated. Evaluating the start bit in this manner prevents the receiver from assembling a false character. The rest of the data bits and stop bits are sampled and validated in this same manner to prevent false framing. If there were any error(s), they are reported in the LSR register bits 2-4. Upon unloading the receive data byte from RHR, the error tags are immediately updated to reflect the status of the data byte in RHR register. RHR can generate a receive data ready interrupt upon receiving a character. The RHR interrupt is enabled by IER bit-0.

### 2.5.1 Receive Holding Register (RHR) - Read-Only

The Receive Holding Register is an 8-bit register that holds a receive data byte from the Receive Shift Register. It provides the receive data interface to the host processor. When there is data in the RHR register, the 3 error tags in LSR register (bits 2-4) indicates if there are any errors associated with that byte.

FIGURE 5. RECEIVER OPERATION IN NON-FIFO MODE



## 2.6 Special (Enhanced Feature) Mode

The 1450 supports the standard features of the ST16C450. In addition, the 1450 supports some enhanced features not available for the ST16C450. These features are enabled by IER bit-5 and include a software controllable (SOFT) reset, power down feature and FIFO monitoring bits.

### 2.6.1 Soft Reset

Soft resets are useful when the user desires the capability of resetting an externally connected device only. MCR bit-2 can be used to initiate a SOFT reset at the RST output pin. This does not reset the 1450 (only the RESET input pin can reset the 1450). Soft resets from MCR bit-2 are “ORed” with the RESET input pin. Therefore both reset types will be seen at the RST output pin.

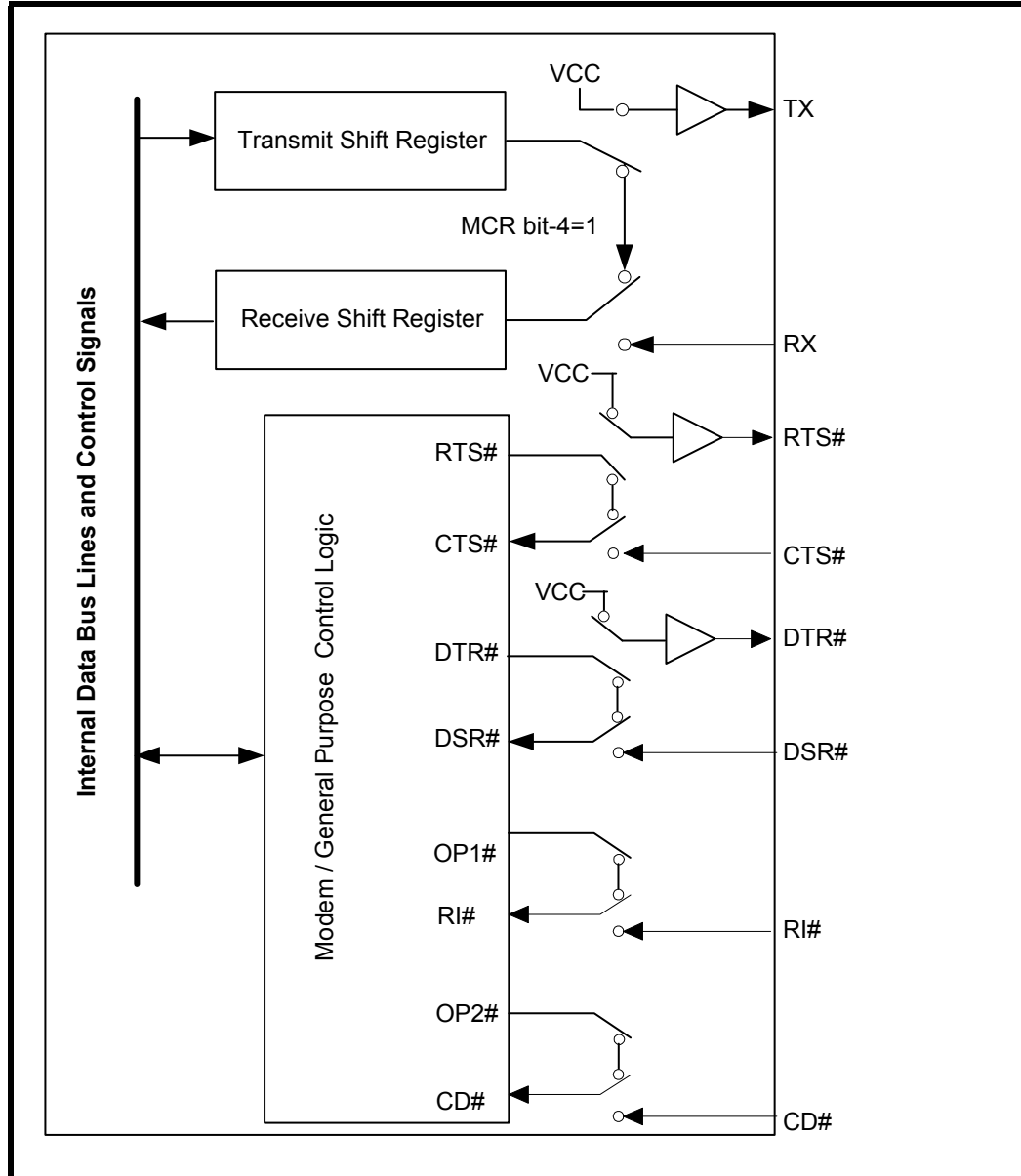
### 2.6.2 Power Down Mode

The power down feature (controlled by MCR bit-7) provides the user with the capability to conserve power when the package is not in actual use without destroying internal register configuration data. This allows quick turnarounds from power down to normal operation. For complete details, see the MCR bit-7 description on [page 16](#).

## 2.7 Internal Loopback

The 1450 UART provides an internal loopback capability for system diagnostic purposes. The internal loopback mode is enabled by setting MCR register bit-4 to logic 1. All regular UART functions operate normally. [Figure 6](#) shows how the modem port signals are re-configured. Transmit data from the transmit shift register output is internally routed to the receive shift register input allowing the system to receive the same data that it was sending. The TX pin is held at logic 1 or mark condition while RTS# and DTR# are de-asserted, and CTS#, DSR#, CD# and RI# inputs are ignored. Caution: the RX input must be held to a logic 1 during loopback test else upon exiting the loopback test the UART may detect and report a false “break” signal.

FIGURE 6. INTERNAL LOOPBACK



### 3.0 UART INTERNAL REGISTERS

The 1450 has a set of configuration registers selected by address lines A0, A1 and A2. The 16C450 compatible registers can be accessed when LCR[7] = 0 and the baud rate generator divisor registers can be accessed when LCR[7] = 1. The complete register set is shown on [Table 2](#) and [Table 3](#).

**TABLE 2: ST16C1450 UART INTERNAL REGISTERS**

A2,A1,A0 ADDRESSES	REGISTER	READ/WRITE	COMMENTS
0 0 0	RHR - Receive Holding Register THR - Transmit Holding Register	Read-only Write-only	LCR[7] = 0
0 0 0	DLL - Div Latch Low Byte	Read/Write	LCR[7] = 1
0 0 1	DLM - Div Latch High Byte	Read/Write	
0 0 1	IER - Interrupt Enable Register	Read/Write	LCR[7] = 0
0 1 0	ISR - Interrupt Status Register Reserved	Read-only Write-only	
0 1 1	LCR - Line Control Register	Read/Write	
1 0 0	MCR - Modem Control Register	Read/Write	LCR[7] = 0
1 0 1	LSR - Line Status Register Reserved	Read-only Write-only	
1 1 0	MSR - Modem Status Register Reserved	Read-only Write-only	
1 1 1	SPR - Scratch Pad Register	Read/Write	

**TABLE 3: INTERNAL REGISTERS DESCRIPTION. SHADED BITS ARE ENABLED WHEN EFR BIT-4=1**

ADDRESS A2-A0	REG NAME	READ/ WRITE	BIT-7	BIT-6	BIT-5	BIT-4	BIT-3	BIT-2	BIT-1	BIT-0	COMMENT
<b>16C550 Compatible Registers</b>											
0 0 0	RHR	RD	Bit-7	Bit-6	Bit-5	Bit-4	Bit-3	Bit-2	Bit-1	Bit-0	LCR[7] = 0
0 0 0	THR	WR	Bit-7	Bit-6	Bit-5	Bit-4	Bit-3	Bit-2	Bit-1	Bit-0	
0 0 1	IER	RD/WR	0	0	Special Mode Enable (Enable MCR bits 7, 2)	0	Modem Status Int. Enable	RX Line Status Int. Enable	TX Empty Int. Enable	RX Data Int. Enable	
0 1 0	ISR	RD	0	0	0	0	INT Source Bit-3	INT Source Bit-2	INT Source Bit-1	INT Source Bit-0	
0 1 1	LCR	RD/WR	Divisor Enable	Set TX Break	Set Parity	Even Parity	Parity Enable	Stop Bits	Word Length Bit-1	Word Length Bit-0	
1 0 0	MCR	RD/WR	0/ Power Down Mode	0	0	Internal Loop-back Enable	(OP2#)/ INT Output Enable	(OP1#)/ SOFT Reset	RTS# Output Control	DTR# Output Control	LCR[7] = 0
1 0 1	LSR	RD	0	THR & TSR Empty	THR Empty	RX Break	RX Framing Error	RX Parity Error	RX Over-run Error	RX Data Ready	
1 1 0	MSR	RD	CD# Input	RI# Input	DSR# Input	CTS# Input	Delta CD#	Delta RI#	Delta DSR#	Delta CTS#	
1 1 1	SPR	RD/WR	Bit-7	Bit-6	Bit-5	Bit-4	Bit-3	Bit-2	Bit-1	Bit-0	
<b>Baud Rate Generator Divisor</b>											
0 0 0	DLL	RD/WR	Bit-7	Bit-6	Bit-5	Bit-4	Bit-3	Bit-2	Bit-1	Bit-0	LCR[7] = 1
0 0 1	DLM	RD/WR	Bit-7	Bit-6	Bit-5	Bit-4	Bit-3	Bit-2	Bit-1	Bit-0	

## 4.0 INTERNAL REGISTER DESCRIPTIONS

### 4.1 *Receive Holding Register (RHR) - Read- Only*

SEE "RECEIVER" ON PAGE 7.

### 4.2 *Transmit Holding Register (THR) - Write-Only*

SEE "TRANSMITTER" ON PAGE 6.

### 4.3 *Interrupt Enable Register (IER) - Read/Write*

The Interrupt Enable Register (IER) masks the interrupts from receive data ready, transmit empty, line status and modem status registers. These interrupts are reported in the Interrupt Status Register (ISR).

#### **IER[0]: RHR Interrupt Enable**

The receive data ready interrupt will be issued when RHR has a data character.

- Logic 0 = Disable the receive data ready interrupt (default).
- Logic 1 = Enable the receiver data ready interrupt.

#### **IER[1]: THR Interrupt Enable**

This bit enables the Transmit Ready interrupt which is issued whenever the THR is empty. If the THR is empty when this bit is enabled, an interrupt will be generated. Note that this interrupt does not behave in the same manner as the industry standard 16C550. SEE "INTERRUPT CLEARING:" ON PAGE 13.

- Logic 0 = Disable Transmit Ready interrupt (default).
- Logic 1 = Enable Transmit Ready interrupt.

#### **IER[2]: Receive Line Status Interrupt Enable**

If any of the LSR register bits 1, 2, 3 or 4 is a logic 1, it will generate an interrupt to inform the host controller about the error status of the current data byte in the RHR.

- Logic 0 = Disable the receiver line status interrupt (default).
- Logic 1 = Enable the receiver line status interrupt.

#### **IER[3]: Modem Status Interrupt Enable**

- Logic 0 = Disable the modem status register interrupt (default).
- Logic 1 = Enable the modem status register interrupt.

#### **IER[4]: Reserved**

#### **IER[5]: Special Mode Enable**

- Logic 0 = Disable special mode functions (default).
- Logic 1 = Enable special mode functions in addition to basic ST16C1450 functions. Enables ISR bits 4-5 (TXRDY/RXRDY), MCR bit-2 (soft reset) and MCR bit-7 (power down) functions.

#### **IER[7:6]: Reserved**

### 4.4 *Interrupt Status Register (ISR) - Read-Only*

The UART provides multiple levels of prioritized interrupts to minimize external software interaction. The Interrupt Status Register (ISR) provides the user with six interrupt status bits. Performing a read cycle on the ISR will give the user the current highest pending interrupt level to be serviced, others are queued up to be serviced next. No other interrupts are acknowledged until the pending interrupt is serviced. The Interrupt Source Table, **Table 4**, shows the data values (bits 0-3) for the interrupt priority levels and the interrupt sources associated with each of these interrupt levels.

**4.4.1 Interrupt Generation:**

- LSR is by any of the LSR bits 1, 2, 3 and 4.
- RXRDY is by received data in RHR.
- TXRDY is by THR empty.
- MSR is by any of the MSR bits 0, 1, 2 and 3.

**4.4.2 Interrupt Clearing:**

- LSR interrupt is cleared by a read to the LSR register (but flags and tags not cleared until character(s) that generated the interrupt(s) has been emptied or cleared from RHR).
- RXRDY interrupt is cleared by reading RHR.
- TXRDY interrupt is cleared by a read to the ISR register AND disabling the TXRDY interrupt (set IER bit-1 = 0), or by loading data into the TX FIFO.
- MSR interrupt is cleared by a read to the MSR register.

**TABLE 4: INTERRUPT SOURCE AND PRIORITY LEVEL**

PRIORITY LEVEL	ISR REGISTER STATUS BITS				SOURCE OF INTERRUPT
	BIT-3	BIT-2	BIT-1	BIT-0	
1	0	1	1	0	LSR (Receiver Line Status Register)
2	0	1	0	0	RXRDY (Received Data Ready)
3	0	0	1	0	TXRDY (Transmit Ready)
4	0	0	0	0	MSR (Modem Status Register)
-	0	0	0	1	None (default)

**ISR[0]: Interrupt Status**

- Logic 0 = An interrupt is pending and the ISR contents may be used as a pointer to the appropriate interrupt service routine.
- Logic 1 = No interrupt pending (default condition).

**ISR[3:1]: Interrupt Status**

These bits indicate the source for a pending interrupt at interrupt priority levels (See Interrupt Source [Table 4](#)).

**ISR[7:4]: Reserved**

**4.5 Line Control Register (LCR) - Read/Write**

The Line Control Register is used to specify the asynchronous data communication format. The word or character length, the number of stop bits, and the parity are selected by writing the appropriate bits in this register.

**LCR[1:0]: TX and RX Word Length Select**

These two bits specify the word length to be transmitted or received.

BIT-1	BIT-0	WORD LENGTH
0	0	5 (default)
0	1	6
1	0	7
1	1	8

**LCR[2]: TX and RX Stop-bit Length Select**

The length of stop bit is specified by this bit in conjunction with the programmed word length.

BIT-2	WORD LENGTH	STOP BIT LENGTH (BIT TIME(S))
0	5,6,7,8	1 (default)
1	5	1-1/2
1	6,7,8	2

**LCR[3]: TX and RX Parity Select**

Parity or no parity can be selected via this bit. The parity bit is a simple way used in communications for data integrity check. See **Table 5** for parity selection summary below.

- Logic 0 = No parity.
- Logic 1 = A parity bit is generated during the transmission while the receiver checks for parity error of the data character received.

**LCR[4]: TX and RX Parity Select**

If the parity bit is enabled with LCR bit-3 set to a logic 1, LCR bit-4 selects the even or odd parity format.

- Logic 0 = ODD Parity is generated by forcing an odd number of logic 1's in the transmitted character. The receiver must be programmed to check the same format (default).
- Logic 1 = EVEN Parity is generated by forcing an even number of logic 1's in the transmitted character. The receiver must be programmed to check the same format.

**LCR[5]: TX and RX Parity Select**

If the parity bit is enabled, LCR bit-5 selects the forced parity format.

- LCR[5] = logic 0, parity is not forced (default).
- LCR[5] = logic 1 and LCR[4] = logic 0, parity bit is forced to a logical 1 for the transmit and receive data.
- LCR[5] = logic 1 and LCR[4] = logic 1, parity bit is forced to a logical 0 for the transmit and receive data.

**TABLE 5: PARITY SELECTION**

LCR BIT-5	LCR BIT-4	LCR BIT-3	PARITY SELECTION
X	X	0	No parity
0	0	1	Odd parity
0	1	1	Even parity
1	0	1	Force parity to mark, "1"
1	1	1	Forced parity to space, "0"

**LCR[6]: Transmit Break Enable**

When enabled, the Break control bit causes a break condition to be transmitted (the TX output is forced to a "space", logic 0, state). This condition remains, until disabled by setting LCR bit-6 to a logic 0.

- Logic 0 = No TX break condition (default).
- Logic 1 = Forces the transmitter output (TX) to a "space", logic 0, for alerting the remote receiver of a line break condition.



#### **LCR[7]: Baud Rate Divisors Enable**

Baud rate generator divisor (DLL/DLM) enable.

- Logic 0 = Data registers are selected (default).
- Logic 1 = Divisor latch registers are selected.

#### **4.6 Modem Control Register (MCR) or General Purpose Outputs Control - Read/Write**

The MCR register is used for controlling the serial/modem interface signals or general purpose inputs/outputs.

#### **MCR[0]: DTR# Output**

The DTR# pin is a modem control output. If the modem interface is not used, this output may be used as a general purpose output.

- Logic 0 = Force DTR# output to a logic 1 (default).
- Logic 1 = Force DTR# output to a logic 0.

#### **MCR[1]: RTS# Output**

The RTS# pin is a modem control output. If the modem interface is not used, this output may be used as a general purpose output.

- Logic 0 = Force RTS# output to a logic 1 (default).
- Logic 1 = Force RTS# output to a logic 0.

#### **MCR[2]: OP1# Output/Soft Reset**

OP1# is not available as an output pin on the 1450. But it is available for use during Internal Loopback Mode. In the Loopback Mode, this bit is used to write the state of the modem RI# interface signal.

- Logic 0 = OP1# output (RI# input) is at logic 1 (default).
- Logic 1 = OP1# output (RI# input) is at logic 0.

In normal operation, this bit is associated with the RST (buffered reset) output pin. The logical state of the RST pin will follow exactly the logical state of the RESET pin. When IER bit-5 = 1, soft resets from MCR bit-2 are ORed with the state of the RESET input pin. Therefore both reset types will be seen at the RST pin. Note that asserting MCR bit-2 does not reset the 1450.

- Logic 0 = The RST output pin is a logic 0 (default).
- Logic 1 = The RST output pin is a logic 1.

#### **MCR[3]: OP2# or INT Output Enable**

When not in Internal Loopback Mode:

- Logic 0 = INT output is three-state (default).
- Logic 1 = INT output is active high.

OP2# is not available as an output pin on the 1450. But it is available for use during Internal Loopback Mode. In the Loopback Mode, this bit is used to write the state of the modem CD# interface signal.

- Logic 0 = OP2# output (CD# input) is a logic 1 (default).
- Logic 1 = OP2# output (CD# input) is a logic 0.

#### **MCR[4]: Internal Loopback Enable**

- Logic 0 = Disable loopback mode (default).
- Logic 1 = Enable local loopback mode, see loopback section and [Figure 6](#).

#### **MCR[6:5]: Reserved**

#### **MCR[7]: Power Down Enable**

This bit can only be accessed when IER bit-5 = 1.

- Logic 0 = Normal mode (default).
- Logic 1 = Power down mode. **SEE "POWER DOWN MODE" ON PAGE 8.**

#### **4.7 Line Status Register (LSR) - Read Only**

This register provides the status of data transfers between the UART and the host. If IER bit-2 is set to a logic 1, an LSR interrupt will be generated when the character that is in the RHR has an error (parity, framing, overrun, break).

#### **LSR[0]: Receive Data Ready Indicator**

- Logic 0 = No data in receive holding register (default).
- Logic 1 = Data has been received and is saved in the receive holding register.

#### **LSR[1]: Receiver Overrun Error Flag**

- Logic 0 = No overrun error (default).
- Logic 1 = Overrun error. A data overrun error condition occurred in the receive shift register. This happens when additional data arrives while there is data in the RHR. In this case the previous data in the receive shift register is overwritten. Note that under this condition the data byte in the receive shift register is not transferred into the RHR, therefore the data in the RHR is not corrupted by the error.

#### **LSR[2]: Receive Data Parity Error Tag**

- Logic 0 = No parity error (default).
- Logic 1 = Parity error. The received character in RHR does not have correct parity information and is suspect. This error is associated with the character available for reading in RHR.

#### **LSR[3]: Receive Data Framing Error Tag**

- Logic 0 = No framing error (default).
- Logic 1 = Framing error. The received character did not have a valid stop bit(s). This error is associated with the character available for reading in RHR.

#### **LSR[4]: Receive Break Error Tag**

- Logic 0 = No break condition (default).
- Logic 1 = The receiver received a break signal (RX was a logic 0 for at least one character frame time).

#### **LSR[5]: Transmit Holding Register Empty Flag**

This bit is the Transmit Holding Register Empty indicator. The THR bit is set to a logic 1 when the data byte is transferred from the transmit holding register to the transmit shift register. The bit is reset to logic 0 concurrently with the data loading to the transmit holding register by the host.

#### **LSR[6]: THR and TSR Empty Flag**

This bit is set to a logic 1 whenever the transmitter goes idle. It is set to logic 0 whenever either the THR or TSR contains a data character.

#### **LSR[7]: Reserved**

#### **4.8 Modem Status Register (MSR) - Read Only**

This register provides the current state of the modem interface input signals. Lower four bits of this register are used to indicate the changed information. These bits are set to a logic 1 whenever a signal from the modem changes state. These bits may be used for general purpose inputs when they are not used with modem signals.

**MSR[0]: Delta CTS# Input Flag**

- Logic 0 = No change on CTS# input (default).
- Logic 1 = The CTS# input has changed state since the last time it was monitored. A modem status interrupt will be generated if MSR interrupt is enabled (IER bit-3).

**MSR[1]: Delta DSR# Input Flag**

- Logic 0 = No change on DSR# input (default).
- Logic 1 = The DSR# input has changed state since the last time it was monitored. A modem status interrupt will be generated if MSR interrupt is enabled (IER bit-3).

**MSR[2]: Delta RI# Input Flag**

- Logic 0 = No change on RI# input (default).
- Logic 1 = The RI# input has changed from a logic 0 to a logic 1, ending of the ringing signal. A modem status interrupt will be generated if MSR interrupt is enabled (IER bit-3).

**MSR[3]: Delta CD# Input Flag**

- Logic 0 = No change on CD# input (default).
- Logic 1 = Indicates that the CD# input has changed state since the last time it was monitored. A modem status interrupt will be generated if MSR interrupt is enabled (IER bit-3).

**MSR[4]: CTS Input Status**

CTS# (active high, logical 1). Normally this bit is the compliment of the CTS# input. In the loopback mode, this bit is equivalent to bit-1 in the MCR register. The CTS# input may be used as a general purpose input when the modem interface is not used.

**MSR[5]: DSR Input Status**

DSR# (active high, logical 1). Normally this bit is the compliment of the DSR# input. In the loopback mode, this bit is equivalent to bit-0 in the MCR register. The DSR# input may be used as a general purpose input when the modem interface is not used.

**MSR[6]: RI Input Status**

RI# (active high, logical 1). Normally this bit is the compliment of the RI# input. In the loopback mode this bit is equivalent to bit-2 in the MCR register. The RI# input may be used as a general purpose input when the modem interface is not used.

**MSR[7]: CD Input Status**

CD# (active high, logical 1). Normally this bit is the compliment of the CD# input. In the loopback mode this bit is equivalent to bit-3 in the MCR register. The CD# input may be used as a general purpose input when the modem interface is not used.

**4.9 Scratch Pad Register (SPR) - Read/Write**

This is a 8-bit general purpose register for the user to store temporary data. The content of this register is preserved during sleep mode but becomes 0xFF (default) after a reset or a power off-on cycle.

**TABLE 6: UART RESET CONDITIONS**

<b>REGISTERS</b>	<b>RESET STATE</b>
DLL	Bits 7-0 = 0xXX
DLM	Bits 7-0 = 0xXX
RHR	Bits 7-0 = 0xXX
THR	Bits 7-0 = 0xXX
IER	Bits 7-0 = 0x00
ISR	Bits 7-0 = 0x01
LCR	Bits 7-0 = 0x00
MCR	Bits 7-0 = 0x00
LSR	Bits 7-0 = 0x60
MSR	Bits 3-0 = Logic 0 Bits 7-4 = Logic levels of the inputs inverted
SPR	Bits 7-0 = 0xFF
<b>I/O SIGNALS</b>	<b>RESET STATE</b>
TX	Logic 1
RTS#	Logic 1
DTR#	Logic 1
RST	Logic 1
INT	Three-State Condition

## ABSOLUTE MAXIMUM RATINGS

Power Supply Range	7 Volts
Voltage at Any Pin	GND-0.3 V to 7 V
Operating Temperature	-40° to +85°C
Storage Temperature	-65° to +150°C
Package Dissipation	500 mW

### TYPICAL PACKAGE THERMAL RESISTANCE DATA (MARGIN OF ERROR: ± 15%)

Thermal Resistance (48-TQFP)	theta-ja = 59°C/W, theta-jc = 16°C/W
Thermal Resistance (28-PLCC)	theta-ja = 55°C/W, theta-jc = 28°C/W

## ELECTRICAL CHARACTERISTICS

### DC ELECTRICAL CHARACTERISTICS

UNLESS OTHERWISE NOTED: TA=0° TO 70°C (-40° TO +85°C FOR INDUSTRIAL GRADE PACKAGE), VCC IS 2.97V TO 5.5V

SYMBOL	PARAMETER	LIMITS 3.3V		LIMITS 5.0V		UNITS	CONDITIONS
		MIN	MAX	MIN	MAX		
V <sub>ILCK</sub>	Clock Input Low Level	-0.3	0.6	-0.5	0.6	V	
V <sub>IHCK</sub>	Clock Input High Level	2.4	VCC	3.0	VCC	V	
V <sub>IL</sub>	Input Low Voltage	-0.3	0.8	-0.5	0.8	V	
V <sub>IH</sub>	Input High Voltage	2.0	VCC	2.2	VCC	V	
V <sub>OL</sub>	Output Low Voltage				0.4	V	I <sub>OL</sub> = 6 mA
V <sub>OL</sub>	Output Low Voltage		0.4			V	I <sub>OL</sub> = 4 mA
V <sub>OH</sub>	Output High Voltage			2.4		V	I <sub>OH</sub> = -6 mA
V <sub>OH</sub>	Output High Voltage	2.0				V	I <sub>OH</sub> = -1 mA
I <sub>IL</sub>	Input Low Leakage Current		±10		±10	uA	
I <sub>IH</sub>	Input High Leakage Current		±10		±10	uA	
C <sub>IN</sub>	Input Pin Capacitance		5		5	pF	
I <sub>CC</sub>	Power Supply Current		1.3		3	mA	
I <sub>PWRDN</sub>	Power Down Current		50		200	uA	See Test 1

Test 1: The following inputs should remain steady at VCC or GND state to minimize Power Down current: A0-A2, D0-D7, IOR#, IOW#, CS# and modem inputs. Also, RX input must idle at logic 1 state while in Power Down mode.

**AC ELECTRICAL CHARACTERISTICS**

*TA=0° TO 70°C (-40° TO +85°C FOR INDUSTRIAL GRADE PACKAGE), VCC IS 2.97V TO 5.5V*

SYMBOL	PARAMETER	LIMITS 3.3V		LIMITS 5.0V		UNIT	CONDITIONS
		MIN	MAX	MIN	MAX		
CLK	Clock Pulse Duration	63		21		ns	
OSC	Oscillator/External Clock Frequency		8		24	MHz	
T <sub>AS</sub>	Address Setup Time	5		0		ns	
T <sub>AH</sub>	Address Hold Time	10		5		ns	
T <sub>CS</sub>	Chip Select Width	50		40		ns	
T <sub>RD</sub>	IOR# Strobe Width	35		25		ns	
T <sub>DY</sub>	Read/Write Cycle Delay	40		30		ns	
T <sub>RDV</sub>	Data Access Time		35		25	ns	
T <sub>DD</sub>	Data Disable Time	0	25	0	15	ns	
T <sub>WR</sub>	IOW# Strobe Width	40		25		ns	
T <sub>DS</sub>	Data Setup Time	20		15		ns	
T <sub>DH</sub>	Data Hold Time	5		5		ns	
T <sub>WDO</sub>	Delay From IOW# To Output		50		40	ns	100 pF load
T <sub>MOD</sub>	Delay To Set Interrupt From MODEM Input		40		35	ns	100 pF load
T <sub>RSI</sub>	Delay To Reset Interrupt From IOR#		40		35	ns	100 pF load
T <sub>SSI</sub>	Delay From Stop To Set Interrupt		1		1	Bclk	
T <sub>RRI</sub>	Delay From IOR# To Reset Interrupt		45		40	ns	100 pF load
T <sub>SI</sub>	Delay From Stop To Interrupt		45		40	ns	
T <sub>INT</sub>	Delay From Initial INT Reset To Transmit Start	8	24	8	24	Bclk	
T <sub>RST</sub>	Reset Pulse Width	40		40		ns	
N	Baud Rate Divisor	1	2 <sup>16</sup> -1	1	2 <sup>16</sup> -1	-	
Bclk	Baud Clock	16X of data rate				Hz	

FIGURE 7. CLOCK TIMING

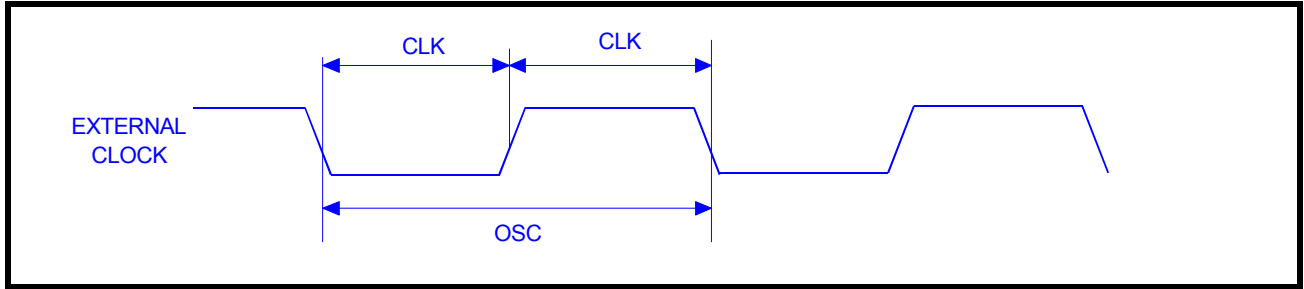


FIGURE 8. MODEM INPUT/OUTPUT TIMING

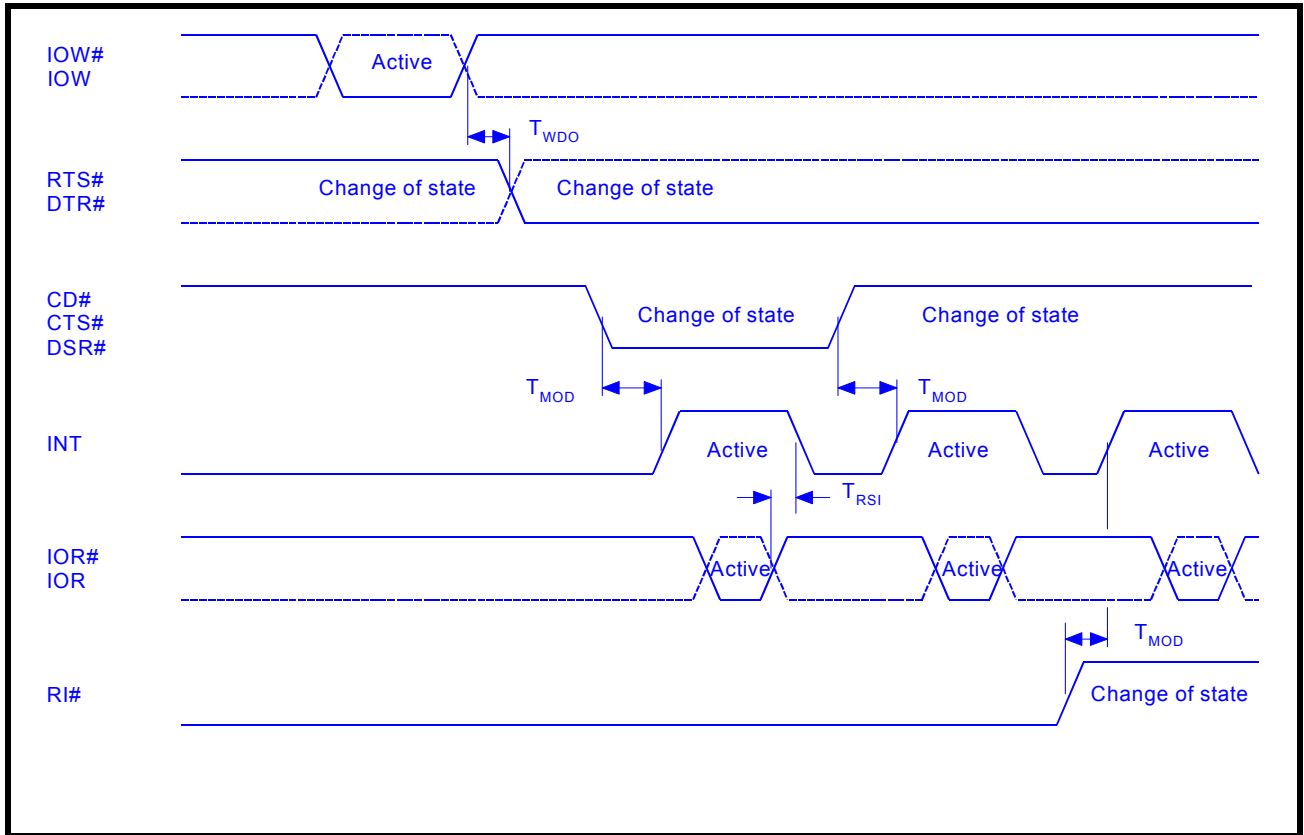


FIGURE 9. DATA BUS READ TIMING

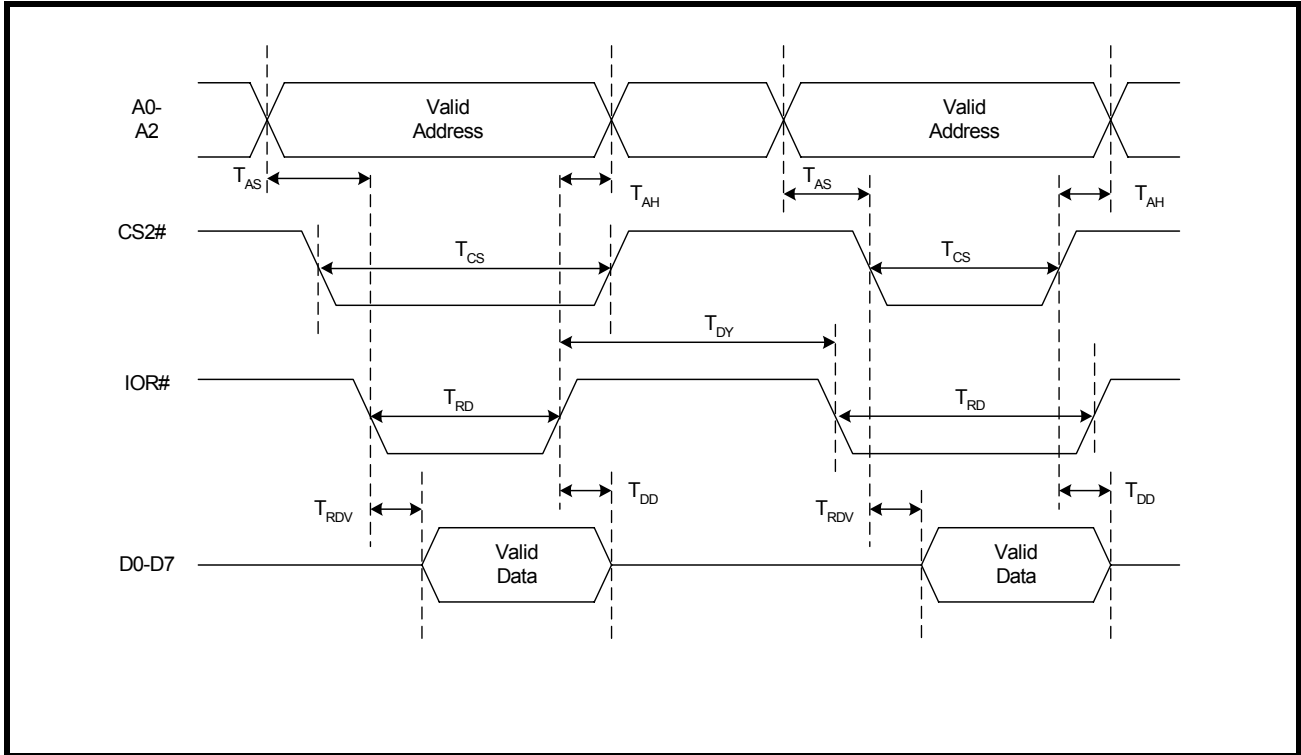


FIGURE 10. DATA BUS WRITE TIMING

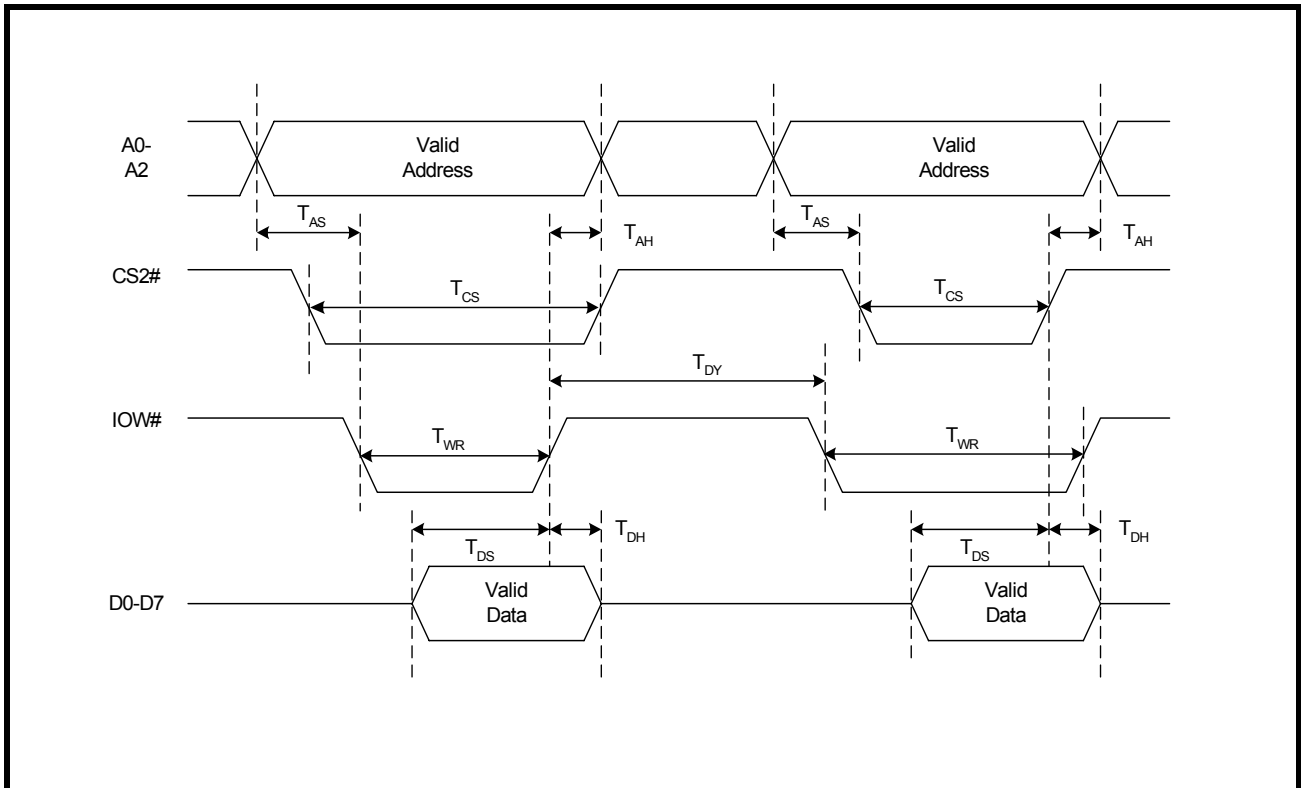




FIGURE 11. RECEIVE READY & INTERRUPT TIMING

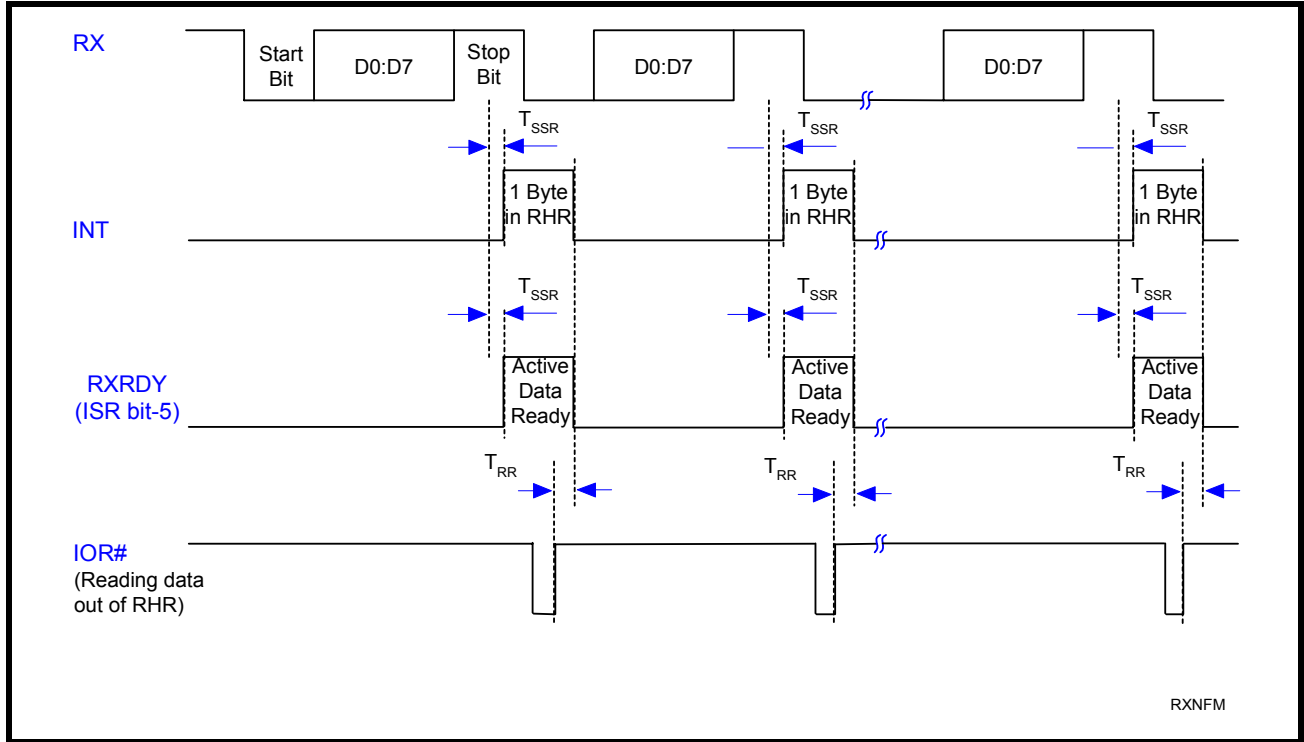
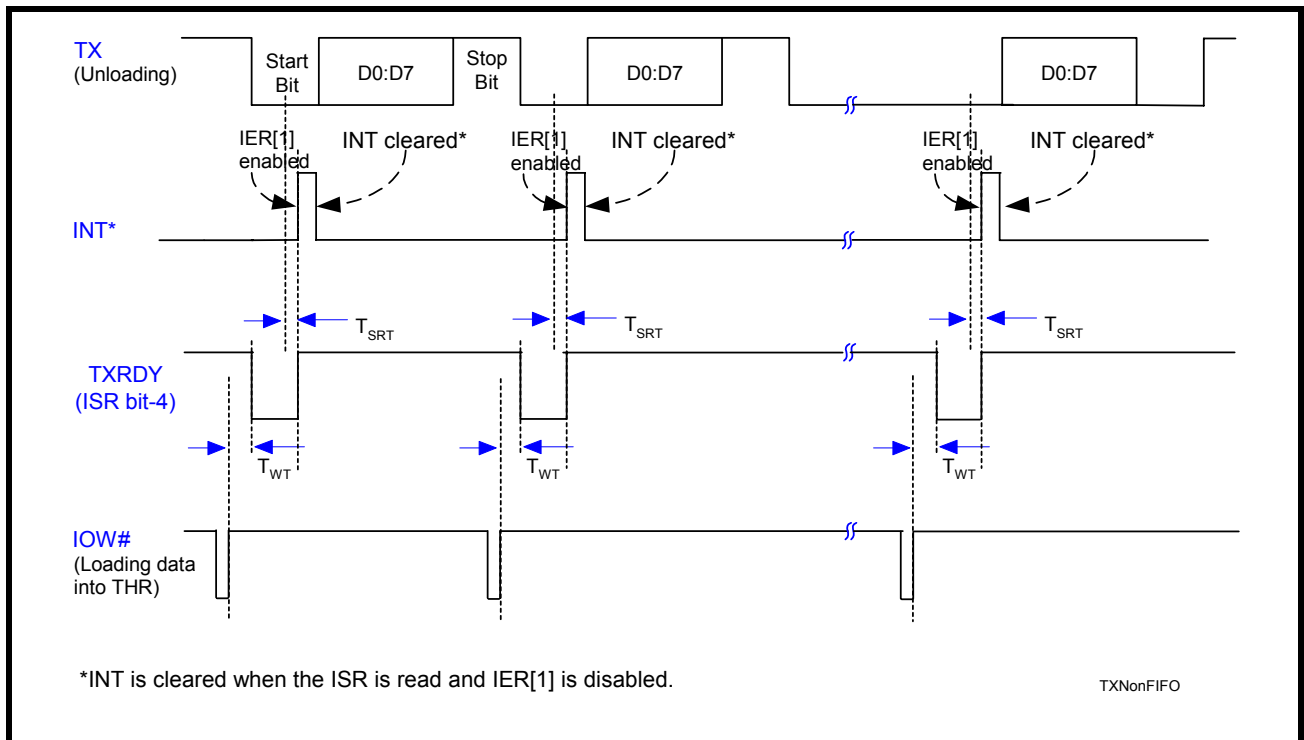
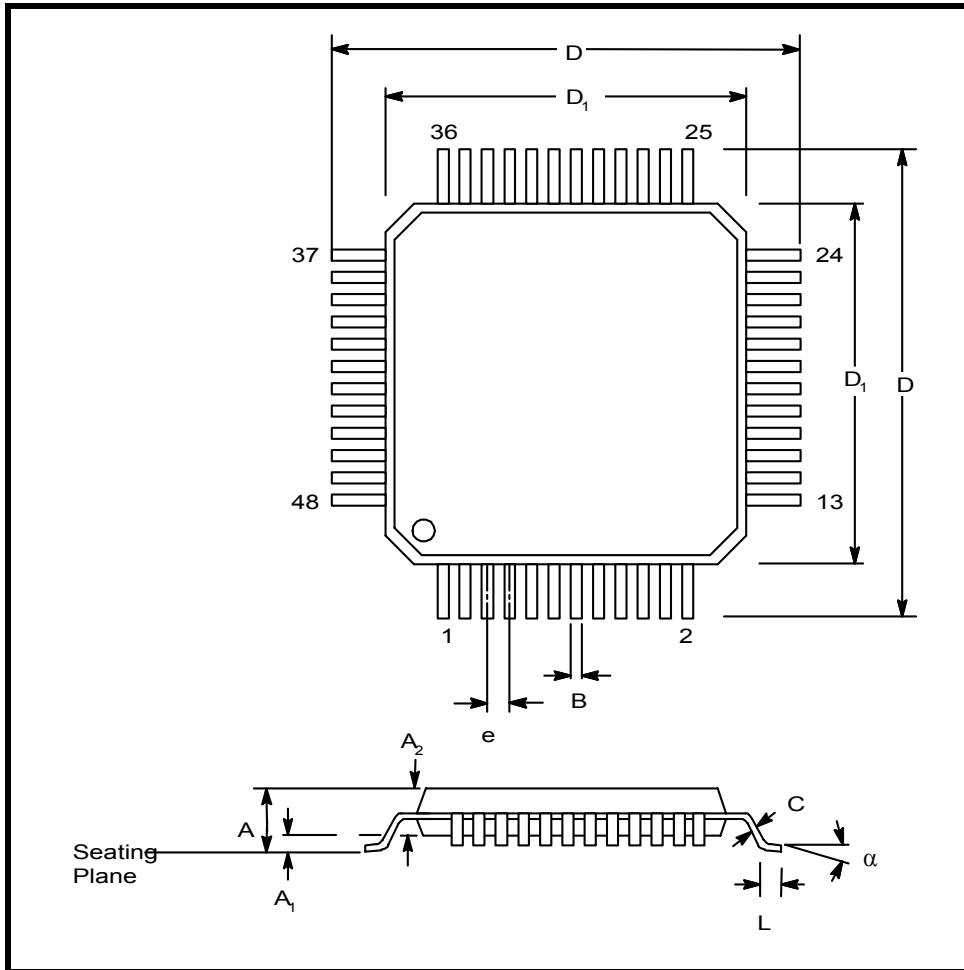


FIGURE 12. TRANSMIT READY & INTERRUPT TIMING



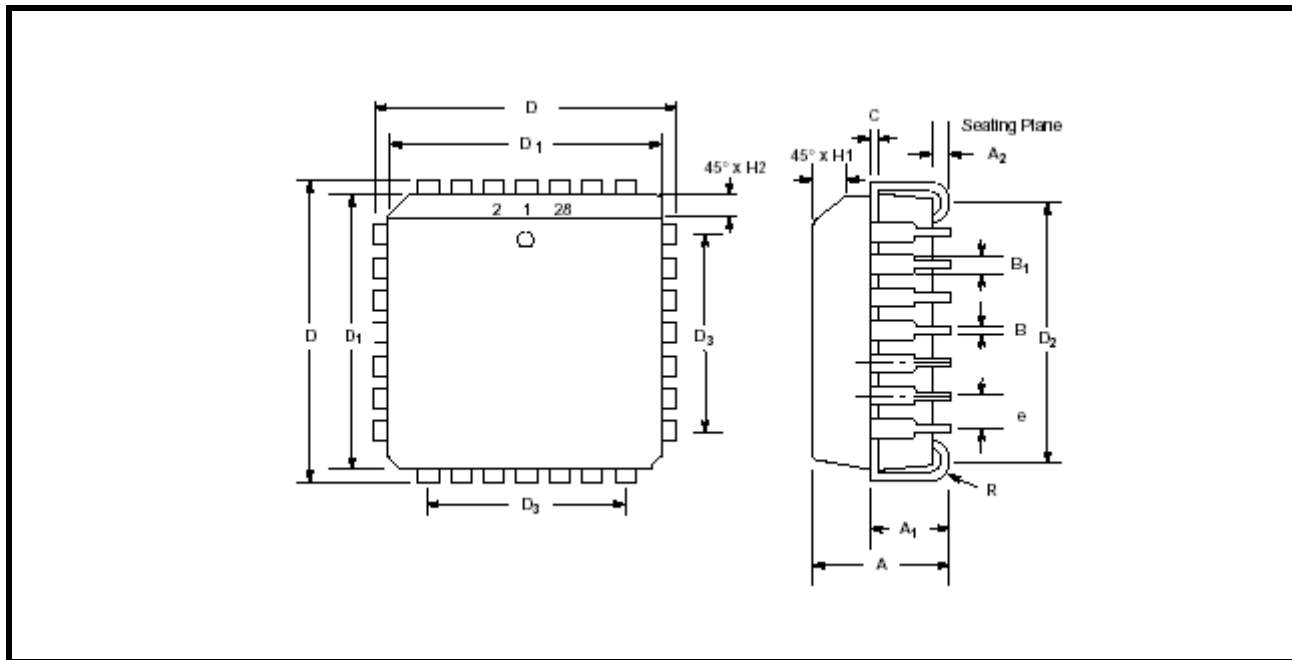
**PACKAGE DIMENSIONS (48 PIN TQFP - 7 X 7 X 1 mm)**



Note: The control dimension is the millimeter column

SYMBOL	INCHES		MILLIMETERS	
	MIN	MAX	MIN	MAX
A	0.039	0.047	1.00	1.20
A1	0.002	0.006	0.05	0.15
A2	0.037	0.041	0.95	1.05
B	0.007	0.011	0.17	0.27
C	0.004	0.008	0.09	0.20
D	0.346	0.362	8.80	9.20
D1	0.272	0.280	6.90	7.10
e	0.020 BSC		0.50 BSC	
L	0.018	0.030	0.45	0.75
$\alpha$	0°	7°	0°	7°

**PACKAGE DIMENSIONS (28 PIN PLCC)**



Note: The control dimension is the inch column

SYMBOL	INCHES		MILLIMETERS	
	MIN	MAX	MIN	MAX
A	0.165	0.180	4.19	4.57
A1	0.090	0.120	2.29	3.05
A2	0.020	-	0.51	-
B	0.013	0.021	0.33	0.53
B1	0.026	0.032	0.66	0.81
C	0.008	0.013	0.19	0.32
D	0.485	0.495	12.32	12.57
D1	0.450	0.456	11.43	11.58
D2	0.390	0.430	9.91	10.92
D3	0.300 typ.		7.62 typ.	
e	0.050 BSC		1.27 BSC	
H1	0.042	0.056	1.07	1.42
H2	0.042	0.048	1.07	1.22
R	0.025	0.045	0.64	1.14

**REVISION HISTORY**

DATE	REVISION	DESCRIPTION
January 2003	Rev 4.0.0	Changed to single column format. Clarified that the TX interrupt is not MS Windows compatible. Clarified timing diagrams. Renamed Rclk (Receive Clock) to Bclk (Baud Clock) and timing symbols. Added T <sub>AH</sub> , T <sub>CS</sub> and OSC.
April 2003	Rev 4.0.1	Updated Ordering Information.
September 2003	Rev 4.1.0	Added Status Column to Ordering Information.
October 2003	Rev 4.2.0	Clarified compatibility to industry standard 16450 and MS Windows standard serial port driver in General Description. Removed Auto RTS flow control from MCR bit-1 description since that feature is not available in this device.
August 2005	Rev 4.2.1	Removed discontinued ST16C1451 and discontinued packages of ST16C1450 from Ordering Information.

**NOTICE**

EXAR Corporation reserves the right to make changes to the products contained in this publication in order to improve design, performance or reliability. EXAR Corporation assumes no responsibility for the use of any circuits described herein, conveys no license under any patent or other right, and makes no representation that the circuits are free of patent infringement. Charts and schedules contained here in are only for illustration purposes and may vary depending upon a user's specific application. While the information in this publication has been carefully checked; no responsibility, however, is assumed for inaccuracies.

EXAR Corporation does not recommend the use of any of its products in life support applications where the failure or malfunction of the product can reasonably be expected to cause failure of the life support system or to significantly affect its safety or effectiveness. Products are not authorized for use in such applications unless EXAR Corporation receives, in writing, assurances to its satisfaction that: (a) the risk of injury or damage has been minimized; (b) the user assumes all such risks; (c) potential liability of EXAR Corporation is adequately protected under the circumstances.

Copyright 2005 EXAR Corporation

Datasheet August 2005.

Send your UART technical inquiry with technical details to hotline: [uarttechsupport@exar.com](mailto:uarttechsupport@exar.com).

Reproduction, in part or whole, without the prior written consent of EXAR Corporation is prohibited.

## TABLE OF CONTENTS

<b>GENERAL DESCRIPTION</b> .....	<b>1</b>
FEATURES.....	1
APPLICATIONS.....	1
FIGURE 1. BLOCK DIAGRAM.....	1
FIGURE 2. ST16C1450 PINOUTS.....	2
ORDERING INFORMATION.....	2
<b>PIN DESCRIPTIONS</b> .....	<b>3</b>
DATA BUS INTERFACE.....	3
MODEM OR SERIAL I/O INTERFACE.....	3
<b>1.0 PRODUCT DESCRIPTION</b> .....	<b>4</b>
ANCILLARY SIGNALS.....	4
<b>2.0 FUNCTIONAL DESCRIPTIONS</b> .....	<b>5</b>
<b>2.1 INTERNAL REGISTERS</b> .....	<b>5</b>
<b>2.2 CRYSTAL OSCILLATOR OR EXTERNAL CLOCK</b> .....	<b>5</b>
FIGURE 3. TYPICAL OSCILLATOR CONNECTIONS.....	5
<b>2.3 PROGRAMMABLE BAUD RATE GENERATOR</b> .....	<b>5</b>
TABLE 1: TYPICAL DATA RATES WITH A 14.7456 MHz CRYSTAL OR EXTERNAL CLOCK.....	6
<b>2.4 TRANSMITTER</b> .....	<b>6</b>
2.4.1 TRANSMIT HOLDING REGISTER (THR) - WRITE ONLY.....	6
2.4.2 TRANSMITTER OPERATION.....	6
FIGURE 4. TRANSMITTER OPERATION.....	7
<b>2.5 RECEIVER</b> .....	<b>7</b>
2.5.1 RECEIVE HOLDING REGISTER (RHR) - READ-ONLY.....	7
FIGURE 5. RECEIVER OPERATION IN NON-FIFO MODE.....	8
<b>2.6 SPECIAL (ENHANCED FEATURE) MODE</b> .....	<b>8</b>
2.6.1 SOFT RESET.....	8
2.6.2 POWER DOWN MODE.....	8
<b>2.7 INTERNAL LOOPBACK</b> .....	<b>8</b>
FIGURE 6. INTERNAL LOOPBACK.....	9
<b>3.0 UART INTERNAL REGISTERS</b> .....	<b>10</b>
TABLE 2: ST16C1450 UART INTERNAL REGISTERS.....	10
TABLE 3: INTERNAL REGISTERS DESCRIPTION. SHADED BITS ARE ENABLED WHEN EFR BIT-4=1.....	11
<b>4.0 INTERNAL REGISTER DESCRIPTIONS</b> .....	<b>12</b>
4.1 RECEIVE HOLDING REGISTER (RHR) - READ- ONLY.....	12
4.2 TRANSMIT HOLDING REGISTER (THR) - WRITE-ONLY.....	12
4.3 INTERRUPT ENABLE REGISTER (IER) - READ/WRITE.....	12
4.4 INTERRUPT STATUS REGISTER (ISR) - READ-ONLY.....	12
4.4.1 INTERRUPT GENERATION:.....	13
4.4.2 INTERRUPT CLEARING:.....	13
TABLE 4: INTERRUPT SOURCE AND PRIORITY LEVEL.....	13
4.5 LINE CONTROL REGISTER (LCR) - READ/WRITE.....	13
TABLE 5: PARITY SELECTION.....	14
4.6 MODEM CONTROL REGISTER (MCR) OR GENERAL PURPOSE OUTPUTS CONTROL - READ/WRITE.....	15
4.7 LINE STATUS REGISTER (LSR) - READ ONLY.....	16
4.8 MODEM STATUS REGISTER (MSR) - READ ONLY.....	16
4.9 SCRATCH PAD REGISTER (SPR) - READ/WRITE.....	17
TABLE 6: UART RESET CONDITIONS.....	18
<b>ABSOLUTE MAXIMUM RATINGS</b> .....	<b>19</b>
TYPICAL PACKAGE THERMAL RESISTANCE DATA (MARGIN OF ERROR: ± 15%).....	19
<b>ELECTRICAL CHARACTERISTICS</b> .....	<b>19</b>
DC ELECTRICAL CHARACTERISTICS.....	19
AC ELECTRICAL CHARACTERISTICS.....	20
TA=0o TO 70oC (-40o TO +85oC FOR INDUSTRIAL GRADE PACKAGE), VCC IS 2.97V TO 5.5V.....	20
FIGURE 7. CLOCK TIMING.....	21
FIGURE 8. MODEM INPUT/OUTPUT TIMING.....	21
FIGURE 9. DATA BUS READ TIMING.....	22
FIGURE 10. DATA BUS WRITE TIMING.....	22
FIGURE 11. RECEIVE READY & INTERRUPT TIMING.....	23

---

FIGURE 12. TRANSMIT READY & INTERRUPT TIMING .....	23
PACKAGE DIMENSIONS (48 PIN TQFP - 7 X 7 X 1 MM) .....	24
PACKAGE DIMENSIONS (28 PIN PLCC) .....	25
REVISION HISTORY.....	26
<b>TABLE OF CONTENTS .....</b>	<b>/</b>