

6

5

4

3

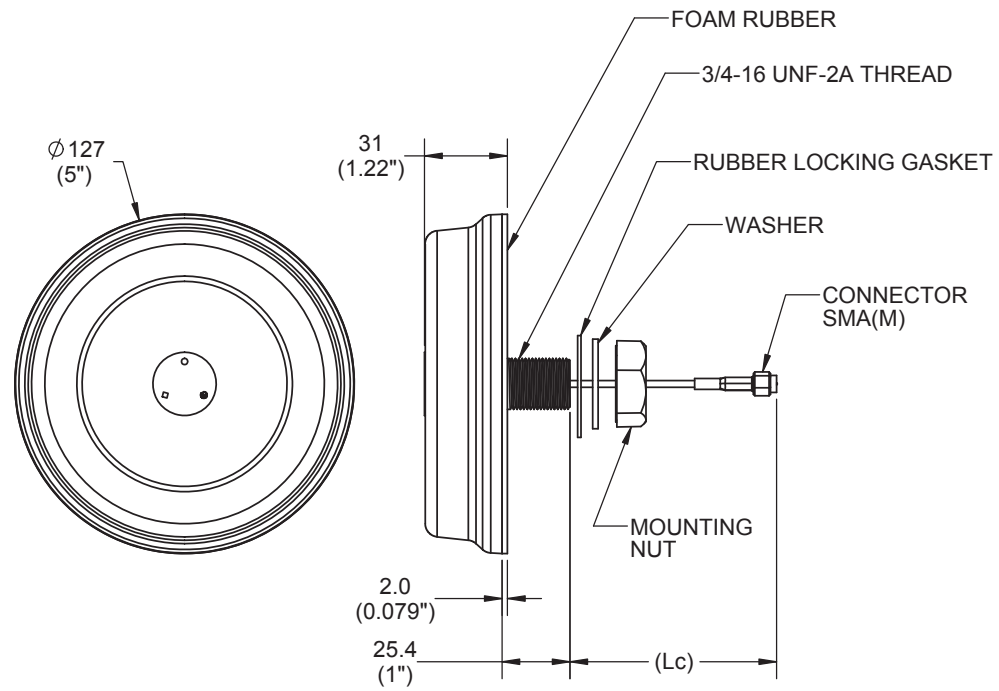
2

1

REVISIONS					
REV.	ECN#	ZONE	DESCRIPTION	CHANGED BY/DATE	APPROVED BY/DATE
F01	ECN-IAS-04310		INITIAL RELEASED	YS TAN/ 03JUL15	HANG/ 03JUL15

D

D



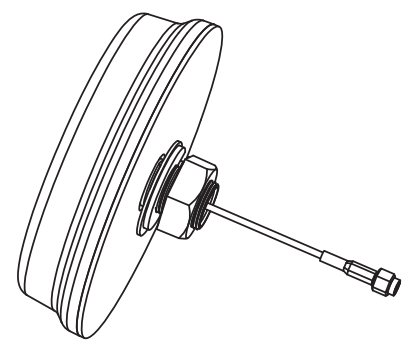
C

C

Parameter	Performance								
TE Part Number	LPS69273NT-61SMAM								
Antenna Type	SISO Omni								
Connector Type	SMA(M)								
Cable Type	RG316								
Pigtail Length, Lc	610mm ±15mm (2ft ±0.05ft)								
Frequency Bands, MHz	698-806	824-894	880-960	1710-1880	1850-1990	1910-2170	2300-2500	2500-2700	
Peak Gain, dBi (Typ)									
On Metal Housing	2.1	0.7	1.7	5.4	4.6	4.5	3.4	3.7	
On Plastic Housing w/ Ground Plane Kit	2.4	1.1	2.3	5.5	4.4	4.0	3.8	3.8	
Peak Gain, dBi (Max)									
On Metal Housing	2.5	1.1	2.3	5.9	4.8	4.9	3.8	4.0	
On Plastic Housing w/ Ground Plane Kit	2.9	1.4	3.1	5.9	5.3	4.3	4.4	4.3	
Maximum VSWR	3.0:1								
Nominal Impedance	50Ω								
Max Power (Ambient temp of 25°C)	10 Watts								
Polarization	Linear, Vertical								
Azimuth Beam Width	Omnidirectional								
Weight	Approximately 0.2Kg (0.44lb)								
Storage Temperature (°C)	-40° C to +85° C (-40°F to +185°F)								
Operational Temperature (°C)	-30° C to +70° C (-22°F to +158°F)								
Outdoor Rated	Yes, IP67								
Radome	PC, UL94 V-0 Rating, Black								
RoHS	Yes								

B

B



Note:

- \*Metal housing test condition is represented by a 300mm (1ft) diameter aluminum plate. For plastic housing with hardware kit test condition, it is represented by a 260x260x2.7mm (10.24"x10.24"x0.1") plastic plate placed over a 300mm (1ft) diameter aluminum plate.
- Patent Pending.

A

A

THIS DRAWING IS UNPUBLISHED.      RELEASED FOR PUBLICATION    - , -

© Copyright 2022 TE Connectivity Ltd.      ALL RIGHTS RESERVED.

MATERIAL: N/A		THIRD ANGLE PROJECTION			
FINISH: N/A					
APPROVALS		DATE		TOLERANCES UNLESS OTHERWISE SPECIFIED	
DRAWN BY	YS TAN	03JUL15		DIMENSIONS ARE IN MILLIMETERS	
ELEC. ENG.	XW TEOH	03JUL15		SCALE: 1:2	
MECH. ENG.	YS TAN	03JUL15		PREVIOUS#	
MFG./OPS.	CH FONG	03JUL15		SHEET 1 OF 1	
<p>DO NOT SCALE DRAWING</p> <p>INTERPRET DIMENSIONING AND TOLERANCING IN ACCORDANCE WITH ASME Y14.5M-2009</p> <p>ANGLE: ±30'</p> <p>0 PLACE DECIMAL: ±0.5</p> <p>1 PLACE DECIMAL: ±0.25</p> <p>2 PLACE DECIMAL: ±0.13</p> <p>SURFACE ROUGHNESS 1.6/√</p>		<p>TITLE:</p> <p><b>LPS69273NT-61SMAM</b></p>		<p>SIZE <b>A3</b></p> <p>DWG. NO. <b>LPS69273NT-61SMAMMO</b></p> <p>REV <b>F01</b></p>	

6

5

4

3

2

1