



TE Internal #: 282308-1

Automotive Terminals, Receptacle, Mating Tab Width 5.8 mm [.228 in], Tab Thickness .8 mm [.031 in], 20 – 15 AWG Wire Size, .5 – 1.5 mm² Wire Size

[View on TE.com >](#)

Terminals & Splices > Automotive Terminals



Terminal Type: **Receptacle**

Mating Tab Width: **5.8 mm [.228 in]**

Mating Tab Thickness: **.8 mm [.031 in]**

Terminal Transmits: **0 – 24 A (Low Power)**

Wire Size: **20 – 15 AWG**

Features

Product Type Features

Receptacle Style	180°
Sealable	No
Primary Locking Feature	Clean Body

Contact Features

Contact Size	5mm
Contact Fabrication	Stamped & Formed
Wire Contact Termination Area Plating Material	Tin
Typical Current Rating	14 A
Crimp Type	F-Crimp
Terminal Type	Receptacle
Mating Tab Width	5.8 mm[.228 in]
Mating Tab Thickness	.8 mm[.031 in]
Interface Plating	Tin (Sn)

Termination Features

Termination Method to Wire & Cable	Crimp
Product Terminates To	Wire

Dimensions

Compatible Insulation Diameter Range	2 – 3.35 mm[.079 – .102 in]
Wire Size	.5 – 1.5 mm ²



Wire Size Search	15 AWG, 16 AWG, 17 AWG, 18 AWG, 19 AWG, 20 AWG
------------------	--

Usage Conditions

Insulation Option	Uninsulated
Operating Temperature (Max)	80 °C, 85 °C, 90 °C, 100 °C, 105 °C, 110 °C, 120 °C, 125 °C, 130 °C[176 °F][185 °F][194 °F][212 °F][221 °F][230 °F][248 °F][257 °F][266 °F]
Operating Temperature Range	-30 – 130 °C[-22 – 266 °F]

Operation/Application

Compatible With Wire Base Material	Copper
------------------------------------	--------

Packaging Features

Packaging Quantity	5000
Packaging Method	Reel

Other

Terminal Transmits	0 – 24 A (Low Power)
--------------------	----------------------

Product Compliance

[For compliance documentation, visit the product page on TE.com>](#)

EU RoHS Directive 2011/65/EU	Compliant
EU ELV Directive 2000/53/EC	Compliant
China RoHS 2 Directive MIIT Order No 32, 2016	No Restricted Materials Above Threshold
EU REACH Regulation (EC) No. 1907/2006	Current ECHA Candidate List: JUNE 2023 (235) Candidate List Declared Against: JUNE 2023 (235) Does not contain REACH SVHC
Halogen Content	Low Halogen - Br, Cl, F, I < 900 ppm per homogenous material. Also BFR/CFR/PVC Free
Solder Process Capability	Not applicable for solder process capability

Product Compliance Disclaimer

This information is provided based on reasonable inquiry of our suppliers and represents our current actual knowledge based on the information they provided. This information is subject to change. The part numbers that TE has identified as EU RoHS compliant have a maximum concentration of 0.1% by weight in homogenous materials for lead, hexavalent chromium, mercury, PBB, PBDE, DBP, BBP, DEHP, DIBP, and 0.01% for cadmium, or qualify for an exemption to these limits as defined in the Annexes of Directive 2011/65/EU (RoHS2). Finished electrical and electronic equipment products will be CE marked as required by Directive 2011/65/EU. Components may not be CE marked. Additionally, the part

numbers that TE has identified as EU ELV compliant have a maximum concentration of 0.1% by weight in homogenous materials for lead, hexavalent chromium, and mercury, and 0.01% for cadmium, or qualify for an exemption to these limits as defined in the Annexes of Directive 2000/53/EC (ELV). Regarding the REACH Regulation, the information TE provides on SVHC in articles for this part number is based on the latest European Chemicals Agency (ECHA) 'Guidance on requirements for substances in articles' posted at this URL: <https://echa.europa.eu/guidance-documents/guidance-on-reach>

Compatible Parts



TE Part # 281872-1
5MM PITCH TAB/RECPT CONN



TE Part # 1-1379200-1
ALU FERRULE GDL 5G



TE Part # 2150654-1
OCEAN_2.0_Applicator-E-080F130F




TE Part # 2150654-2
OCEAN_2.0_Applicator-E-080F130F



TE Part # 7-2150654-1
OCEAN_2.0_Applicator-E-080F130F



TE Part # 7-2150654-2
OCEAN_2.0_Applicator-E-080F130F



TE Part # 7-2150654-7
OCEAN_2.0_SPARE_PART_KIT-080F130F



TE Part # 281872-3
5MM PITCH TAB/RECPT CONN



TE Part # 282164-1
5MM PITCH TAB CONTACT

Customers Also Bought



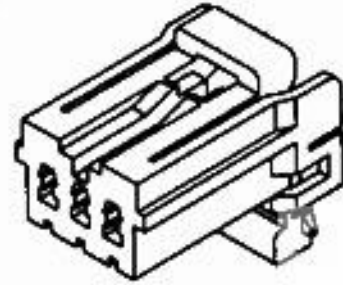
TE Part #5-160558-9
FF 250 REC 0.5-1.5MM2 TPPB



TE Part #2314820-8
8P,2MM,B-B,REC,DRVT,2.7,0.1AU,TB



TE Part #185890-2
26pos MQS .63 header 90deg



TE Part #282627-1
070 SRS MLC PLUG HSG. 3 POS.



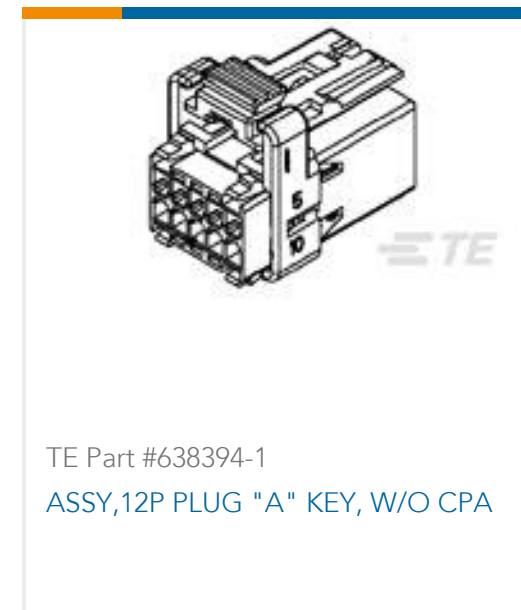
TE Part #1241406-1
AMP MCP, RECEPTACLE AND TAB



TE Part #1-2295393-2
PLUG ASSY, 16WAY, HYBRID,
UNSEALED, B



TE Part #5-160558-3
FF 250 REC 0.5-1.5MM2 PB



TE Part #638394-1
ASSY, 12P PLUG "A" KEY, W/O CPA



TE Part #3-1355136-9
CARRIER HSG 94 POS

Documents

Product Drawings

5MM PITCH RCPT CONTACT

English

CAD Files

Customer View Model

[ENG_CVM_282308-1_A.3d_igs.zip](#)

English

Customer View Model

[ENG_CVM_282308-1_A.3d_stp.zip](#)

English

Customer View Model

[ENG_CVM_282308-1_A.2d_dxf.zip](#)

English

3D PDF

English

By downloading the CAD file I accept and agree to the [Terms and Conditions](#) of use.

Product Specifications

Application Specification

German

Application Specification

English

Application Specification

English