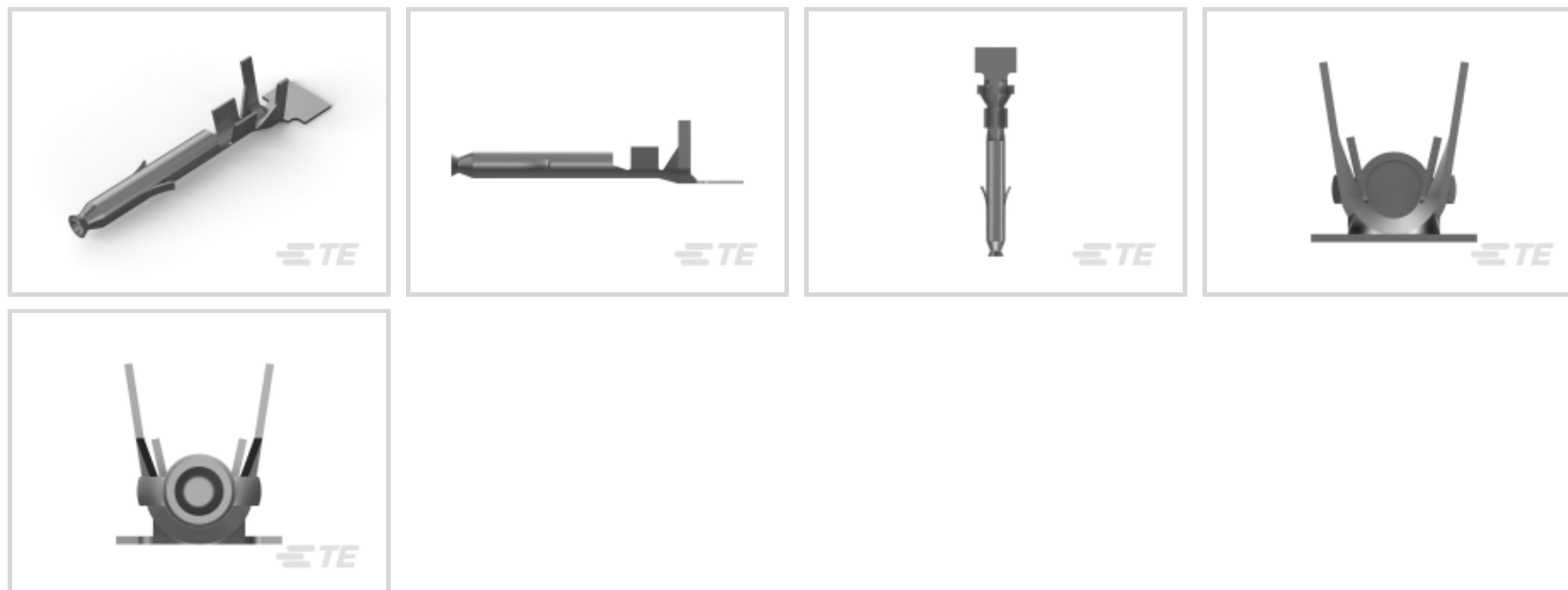




Connectors &gt; Contacts &gt; Connector Contacts

Contact Type: **Socket**Contact Mating Area Plating Material: **Tin**Wire Contact Termination Area Plating Material: **Pre-Tin**Operating Voltage: **600 VDC**

## Features

### Product Type Features

Discrete Wire Type	Stranded
--------------------	----------

### Electrical Characteristics

Operating Voltage	600 VDC
-------------------	---------

### Contact Features

Mating Pin Diameter	1 mm [.039 in]
---------------------	----------------

Wire Contact Termination Area Plating Thickness	2.54 μm [100 μin]
---	-------------------

Wire Contact Termination Area Plating Material Finish	Matte
---	-------

Contact Orientation	Straight
---------------------	----------

Contact Type	Socket
--------------	--------

Contact Mating Area Plating Material	Tin
--------------------------------------	-----

Wire Contact Termination Area Plating Material	Pre-Tin
--	---------

Contact Retention Within Housing	With
----------------------------------	------

Contact Base Material	Phosphor Bronze
-----------------------	-----------------

Contact Current Rating (Max)	11.2 A
------------------------------	--------



### Termination Features

Termination Method to Wire & Cable	Crimp
Product Terminates To	Wire & Cable

### Mechanical Attachment

Wire Insulation Support	Without
-------------------------	---------

### Dimensions

Compatible Insulation Diameter Range	1.5 – 2.39 mm [.059 – .094 in]
Wire Size	.3 – .9 mm <sup>2</sup>

### Usage Conditions

Operating Temperature Range	-55 – 105 °C [-67 – 221 °F]
-----------------------------	-----------------------------

### Operation/Application

Circuit Application	Power
---------------------	-------

### Industry Standards

Compatible With Agency/Standards Products	CSA, UL
---	---------

### Packaging Features

Packaging Quantity	4500
Packaging Method	Reel

### Product Compliance

[For compliance documentation, visit the product page on TE.com>](#)

EU RoHS Directive 2011/65/EU	Compliant
EU ELV Directive 2000/53/EC	Compliant
China RoHS 2 Directive MIIT Order No 32, 2016	No Restricted Materials Above Threshold
EU REACH Regulation (EC) No. 1907/2006	Current ECHA Candidate List: JUNE 2023 (235) Candidate List Declared Against: JUNE 2023 (235) Does not contain REACH SVHC
Halogen Content	Low Halogen - Br, Cl, F, I < 900 ppm per homogenous material. Also BFR/CFR/PVC Free
Solder Process Capability	Not applicable for solder process capability

Product Compliance Disclaimer



This information is provided based on reasonable inquiry of our suppliers and represents our current actual knowledge based on the information they provided. This information is subject to change. The part numbers that TE has identified as EU RoHS compliant have a maximum concentration of 0.1% by weight in homogenous materials for lead, hexavalent chromium, mercury, PBB, PBDE, DBP, BBP, DEHP, DIBP, and 0.01% for cadmium, or qualify for an exemption to these limits as defined in the Annexes of Directive 2011/65/EU (RoHS2). Finished electrical and electronic equipment products will be CE marked as required by Directive 2011/65/EU. Components may not be CE marked. Additionally, the part numbers that TE has identified as EU ELV compliant have a maximum concentration of 0.1% by weight in homogenous materials for lead, hexavalent chromium, and mercury, and 0.01% for cadmium, or qualify for an exemption to these limits as defined in the Annexes of Directive 2000/53/EC (ELV). Regarding the REACH Regulation, the information TE provides on SVHC in articles for this part number is based on the latest European Chemicals Agency (ECHA) 'Guidance on requirements for substances in articles' posted at this URL: <https://echa.europa.eu/guidance-documents/guidance-on-reach>

## Compatible Parts

TE Part # CAT-AM71-C83998EE  
Mini Circular Plastic Connectors (CPC)

TE Part # 91522-1  
CCII MINI UNML PIN SKT 22-18 ASSY

TE Part # 2151030-1  
OCEAN\_2.0\_APPLICATOR-S-062F110F

TE Part # 90759-1  
PROCRIMP TL W/DIE MIN UNIV MNL

TE Part # 770586-1  
22P MINI UMNL PLUG HSG

TE Part # 794942-1  
10P MINI UMNL CAP HSG

TE Part # 770587-1  
24P MINI UMNL PLUG HSG

TE Part # 770582-1  
14P MINI UMNL PLUG HSG

TE Part # 770585-1  
20P MINI UMNL PLUG HSG

TE Part # 172333-1  
MINI UNIVERSAL M-N-L HOUSING

TE Part # 794781-1  
10P MINI UMNL PLUG HSG

TE Part # 794941-1  
08P MINI UMNL CAP HSG

TE Part # 794895-1  
6 CIR MINI UMNL RND WIRE HOLES

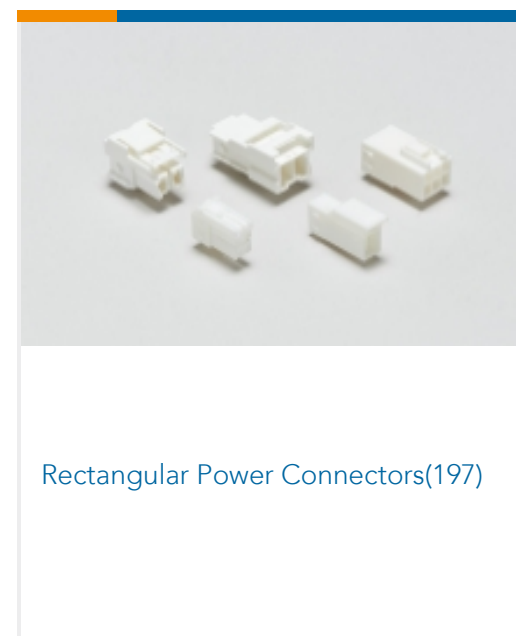
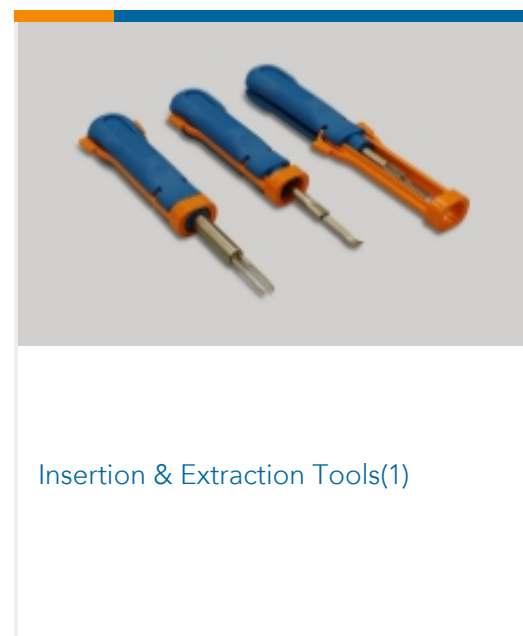
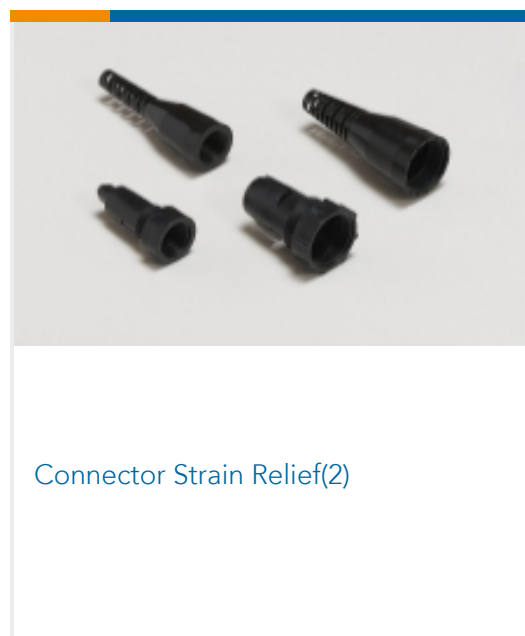
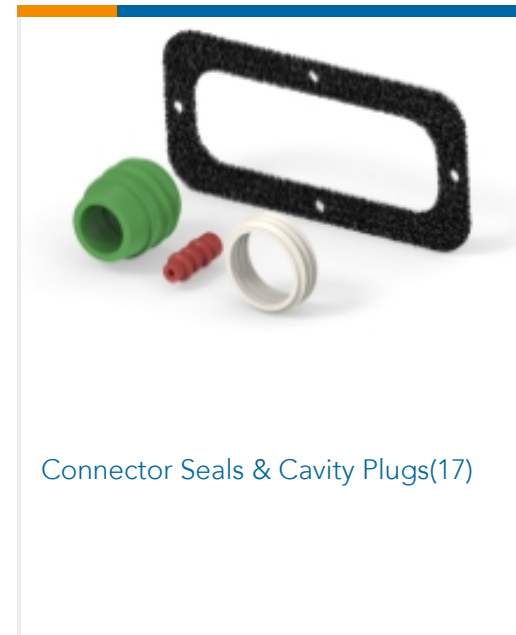
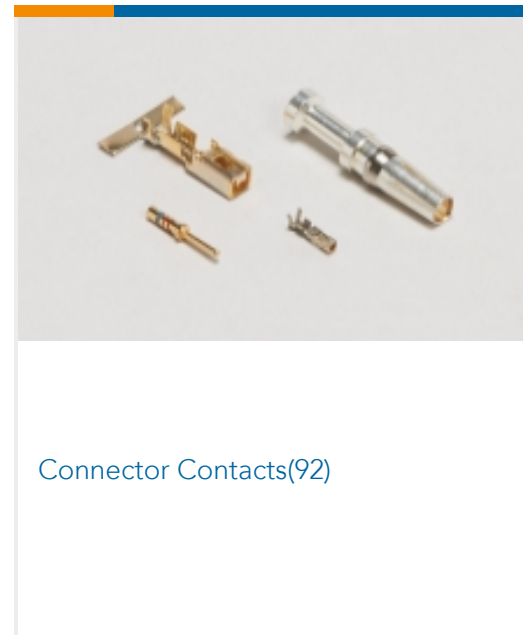
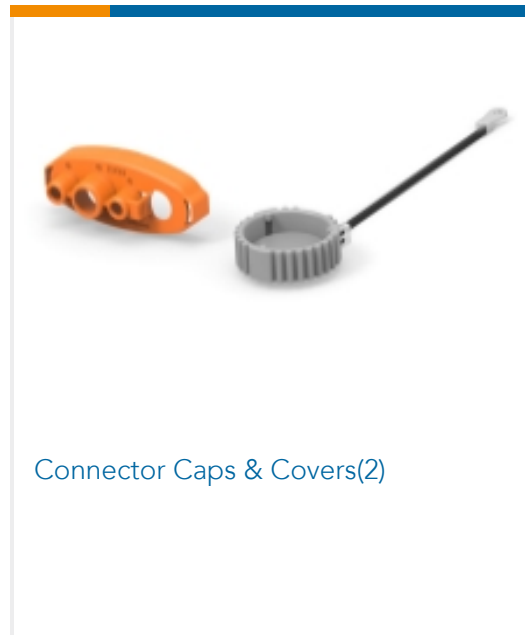
TE Part # 794821-1  
08P MINI UMNL PLUG HSG

TE Part # 794940-1  
06P MINI UMNL CAP HSG

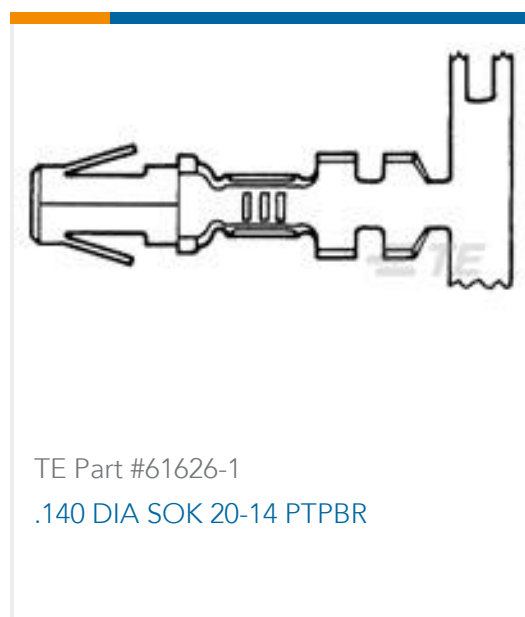
TE Part # 770581-1  
12P MINI UMNL PLUG HSG



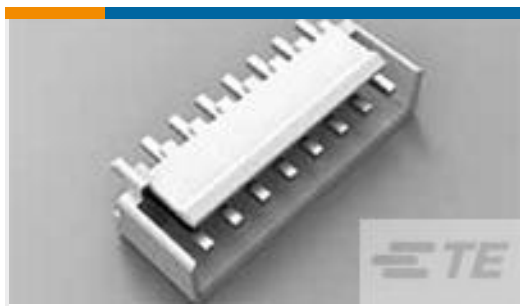
## Also in the Series | Mini-Universal MATE-N-LOK



## Customers Also Bought







TE Part #1-1877285-2  
12P EP SHRD HDR ASMY, WHITE



TE Part #521451-2  
ULTRA-POD 250 ASSY TAB 18-14  
AWG TPBR

## Documents

### Product Drawings

#### MINI UMNL SOK CONT 22-18 AWG

English

### CAD Files

#### Customer View Model

##### ENG\_CVM\_CVM\_770904-4\_W.2d\_dxf.zip

English

#### 3D PDF

3D

#### Customer View Model

##### ENG\_CVM\_CVM\_770904-4\_W.3d\_igs.zip

English

#### Customer View Model

##### ENG\_CVM\_CVM\_770904-4\_W.3d\_stp.zip

English

By downloading the CAD file I accept and agree to the [Terms and Conditions](#) of use.

### Datasheets & Catalog Pages

#### AMP Circular Connectors for Commercial Signal & Power Applications Continued

English

##### SOFT\_SHELL\_PIN\_AND\_SOCKET\_CONNECTORS\_CATALOG

English

### Product Specifications

#### Product Specification

English

### Instruction Sheets

#### Instruction Sheet (U.S.)

English