



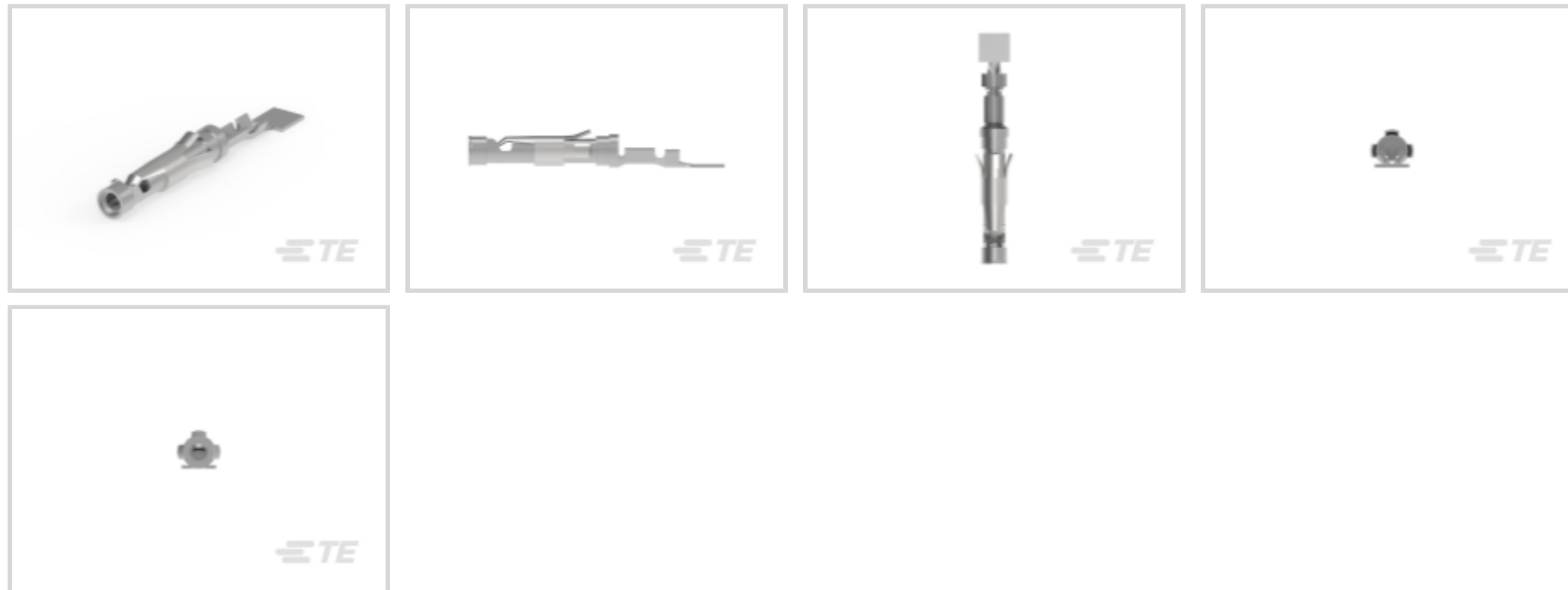
AMP | AMP Type III+

TE Internal #: 1-66108-5

Socket Contact, Tin, Size 16 Contact Size, 26 – 24 AWG Wire Size, .12 – .2 mm² Wire Size, Crimp, Brass, Power & Signal, AMP Type III+

[View on TE.com >](#)

Connectors > Contacts > Connector Contacts > Strip Pin and Socket Contacts, Type III



Contact Type: **Socket**

Contact Mating Area Plating Material: **Tin**

Wire Contact Termination Area Plating Material: **Tin**

Contact Retention Within Housing: **With**

Contact Size: **Size 16**

[All Strip Pin and Socket Contacts, Type III \(55\)](#)

Features

Contact Features

Mating Pin Diameter	1.57 mm[.062 in]
Contact Underplating Material Thickness	.76 µm[30 µin]
Wire Contact Termination Area Plating Thickness	2.54 µm[100 µin]
Wire Contact Termination Area Plating Material Finish	Matte
Contact Mating Area Plating Material Thickness	2.54 µm[100 µin]
Contact Orientation	Straight
Contact Underplating Material	Nickel
Contact Type	Socket
Contact Mating Area Plating Material	Tin
Wire Contact Termination Area Plating Material	Tin
Contact Retention Within Housing	With
Contact Size	Size 16
Contact Base Material	Brass



Contact Current Rating (Max) 13 A

Termination Features

Termination Method to Wire & Cable Crimp
 Product Terminates To Wire & Cable

Mechanical Attachment

Wire Insulation Support With

Dimensions

Compatible Insulation Diameter Range .89 – 1.4 mm [.035 – .055 in]
 Wire Size .12 – .2 mm²

Usage Conditions

Operating Temperature Range -55 – 90 °C [-67 – 194 °F]

Operation/Application

Circuit Application Power & Signal

Industry Standards

Compatible With Agency/Standards Products CSA, UL, VDE

Packaging Features

Packaging Quantity 4000
 Packaging Method Reel, Reverse Reel

Product Compliance


[For compliance documentation, visit the product page on TE.com>](#)

EU RoHS Directive 2011/65/EU Compliant
 EU ELV Directive 2000/53/EC Compliant
 China RoHS 2 Directive MIIT Order No 32, 2016 No Restricted Materials Above Threshold
 EU REACH Regulation (EC) No. 1907/2006 Current ECHA Candidate List: JUNE 2023 (235)
 Candidate List Declared Against: JUNE 2023 (235)
 Does not contain REACH SVHC
 Halogen Content Low Halogen - Br, Cl, F, I < 900 ppm per homogenous material. Also BFR/CFR/PVC Free
 Solder Process Capability Not applicable for solder process capability

Product Compliance Disclaimer

This information is provided based on reasonable inquiry of our suppliers and represents our current actual knowledge based on the information they provided. This information is subject to change. The part numbers that TE has identified as EU RoHS compliant have a maximum concentration of 0.1% by weight in homogenous materials for lead, hexavalent chromium, mercury, PBB, PBDE, DBP, BBP, DEHP, DIBP, and 0.01% for cadmium, or qualify for an exemption to these limits as defined in the Annexes of Directive 2011/65/EU (RoHS2). Finished electrical and electronic equipment products will be CE marked as required by Directive 2011/65/EU. Components may not be CE marked. Additionally, the part numbers that TE has identified as EU ELV compliant have a maximum concentration of 0.1% by weight in homogenous materials for lead, hexavalent chromium, and mercury, and 0.01% for cadmium, or qualify for an exemption to these limits as defined in the Annexes of Directive 2000/53/EC (ELV). Regarding the REACH Regulation, the information TE provides on SVHC in articles for this part number is based on the latest European Chemicals Agency (ECHA) 'Guidance on requirements for substances in articles' posted at this URL: <https://echa.europa.eu/guidance-documents/guidance-on-reach>

Compatible Parts



TE Part # CAT-AM71-C83998C
Circular Plastic Connector, CMC Series 1



TE Part # CAT-AM71-C83998Y
One-Piece Connector, Sealed, CPC Series 1



TE Part # CAT-AM71-C83998J
Cable/Panel Mount Connector, CPC Series 1



TE Part # CAT-AM71-C83998K
Circular Connector, Environmentally Sealed, CPC Series 6



TE Part # 58495-2
PROCRIMPER DIE ASSY MULTIMATE



TE Part # 200893-2
INSERTION TOOL CONT



TE Part # 58495-1
PRO CRIMPER ASSY MULTIMATE



TE Part # 539972-1
EXTRACTION TOOL



TE Part # 305183
EXTRACT TOOL TYPE 2 20-16



TE Part # 2266335-1
OCEAN_2_0_APPLICATOR-S-055F0700



TE Part # 2266335-2
OCEAN_2_0_APPLICATOR-S-055F0700A



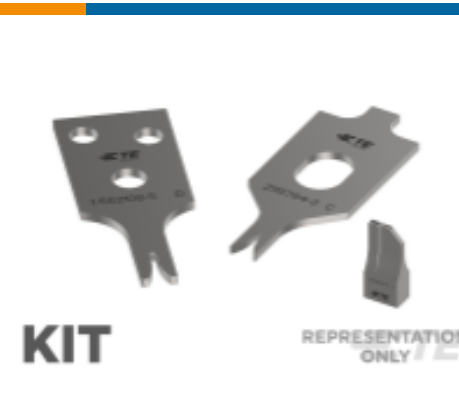
TE Part # 2305570-1
Strip Terminal Cutter-Side Feed-No Crimp




TE Part # 7-2266335-1
OCEAN_2_0_APPLICATOR-S-055F0700



TE Part # 7-2266335-2
OCEAN_2_0_APPLICATOR-S-055F0700A

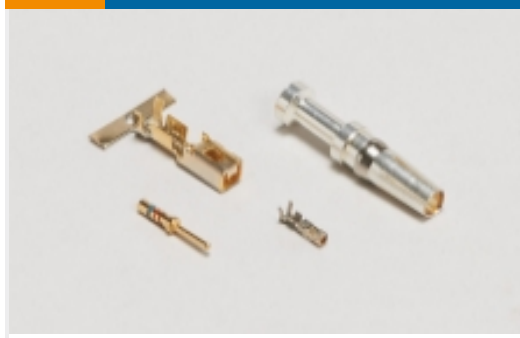


TE Part # 7-2266335-7
OCEAN_2_0_SPARE_PART_KIT-055F0700



TE Part # 466908-2
SCA SMPR055F0700S

Also in the Series | AMP Type III+



Connector Contacts(409)



Insertion & Extraction Tools(4)

Customers Also Bought



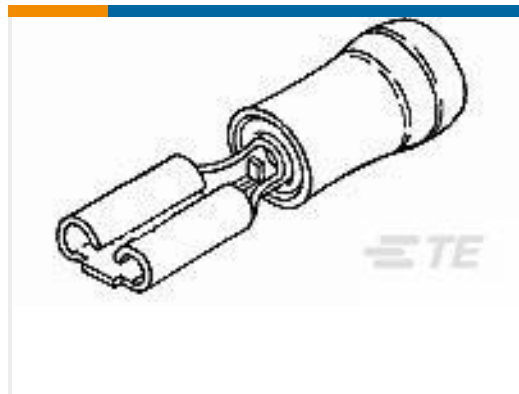
TE Part #182919-1
CPC EMEA



TE Part #745253-2
20 DF SCKT CONT, PLTD



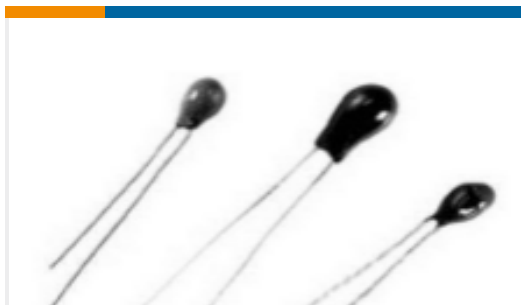
TE Part #104257-9
10 MTE RCPT HSG SR LATCH .100



TE Part #165563-1
110 PIDG FASTON REC



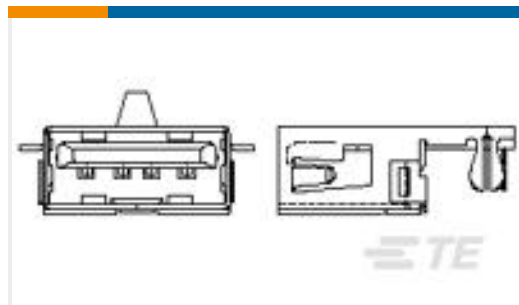
TE Part #1744416-3
3 POS EP II HSG, GLOW WIRE



TE Part #11027286-00
44008RC, THERM, ROHS



TE Part #3-640622-4
04P MTA100 CONN ASSY F/T BLU



TE Part #1746311-1
Std USB Type A, R/A, T/H



TE Part #ANT-916-PW-QW-UFL
Antenna 1/4 Wave Whip 916MHz 1.32 UFL

Documents

Product Drawings

III+ SKT,26-24,TIN,STRIP

English

CAD Files

Customer View Model

ENG_CVM_CVM_1-66108-5_BD.2d_dxf.zip



English

[3D PDF](#)

3D

Customer View Model

[ENG_CVM_CVM_1-66108-5_BD.3d_igs.zip](#)

English

Customer View Model

[ENG_CVM_CVM_1-66108-5_BD.3d_stp.zip](#)

English

By downloading the CAD file I accept and agree to the [Terms and Conditions](#) of use.

Datasheets & Catalog Pages

[AMP Circular Connectors for Commercial Signal & Power Applications](#)

English

[Signal Contacts](#)

English

[M_SERIES_PIN_AND_SOCKET_CONNECTORS](#)

English

Product Specifications

[Application Specification](#)

English