

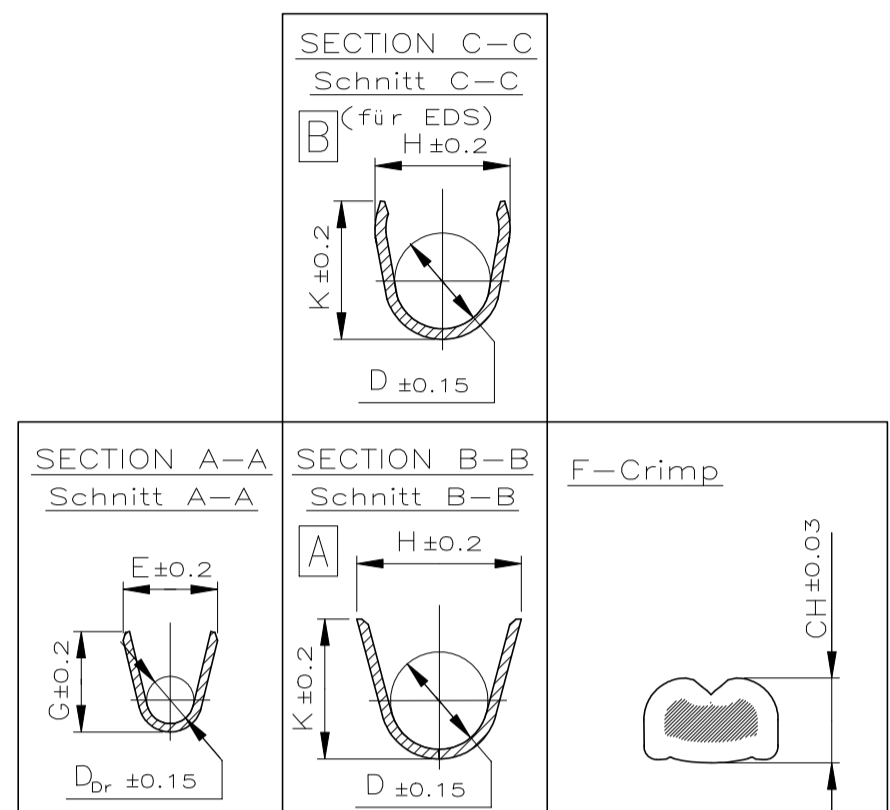
LOC	DIST	REVISIONS AENDERUNGEN			
A1	-	REV.	DESCRIPTION	DATE	BY
PROJECT NR.:		A7	E-23-173042	20APR2023	SH MC
		AB	E-23-193008	20NOV2023	SH MC

REMARKS
Bemerkungen

- 1 PRE TINNED 1-2µm
vorverzinnt
- 2 ZONE "A": MIN 0.8µm ELECTROPL. Au OVER MIN 1.3µm ELECTROPL. Ni LAYER
min 0.8µm galv. Au über min 1.3µm galv. Ni
ZONE "B": 1-2µm ELECTROPL. Sn OVER MIN 0.1µm ELECTROPL. Ni
1-2µm galv. Sn über min 0.1µm galv. Ni
REST: min 0.1µm ELECTROPL. Ni
min 0.1µm galv. Ni
- 3 ZONE "A": MIN 3µm ELECTROPL. Ag
min. 3µm galv. Ag
REST: 0.5µm ELECTROPL. Ag
0.5µm galv. Ag
- 4 ZONE "A": MIN 3µm ELECTROPL. Ag
min 3µm galv. Ag
ZONE "B": 1-3µm ELECTROPL. Sn
1-3µm galv. Sn
REST: SILVER OR TIN ALLOWED IN TRANSITION AREAS.OVERLAPPING LAYERS
AND PLAIN SURFACES ARE NOT ALLOWED.
Silber oder Zinn im Übergangsbereich erlaubt.
überlagernde Schichten oder blanke Stellen sind nicht erlaubt.
- 5 AVAILABILITY MUST BE CHECKED BY TE CONNECTIVITY
Verfügbarkeit ist von TE CONNECTIVITY zu prüfen

Version B (SINGLE WIRE SEAL-SYSTEM / Einzel-Dichtungs-System)

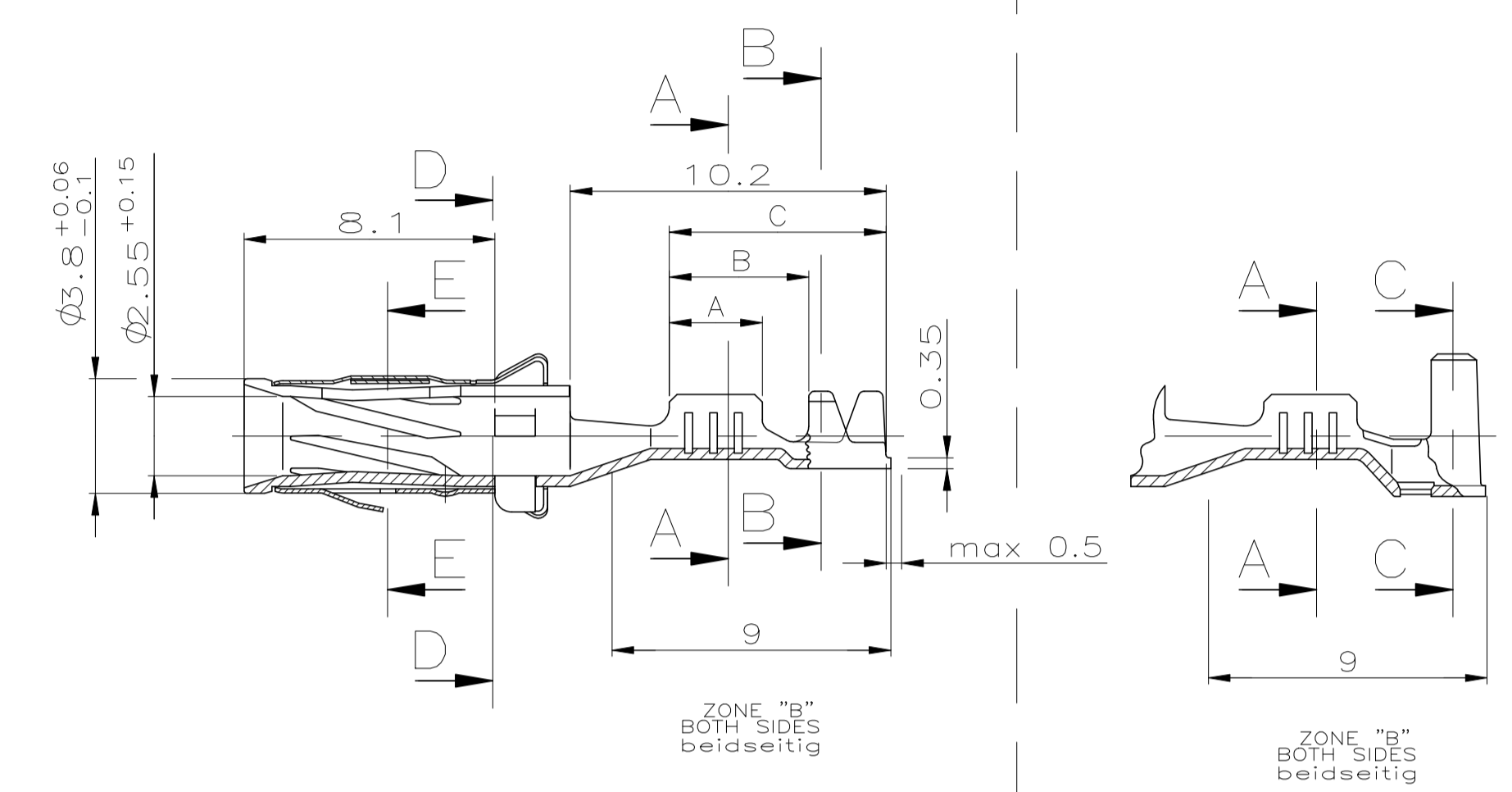
Version A (UNSEALED / ungedichtet)



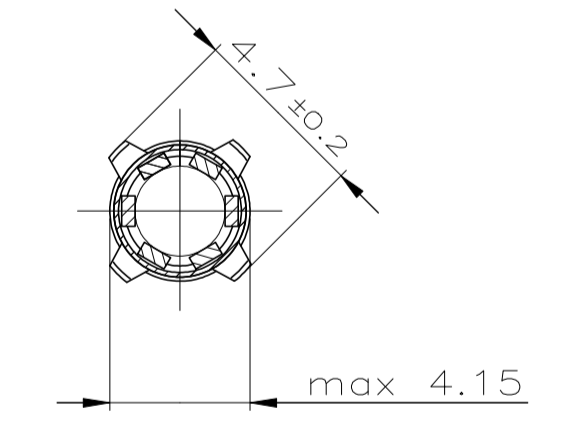
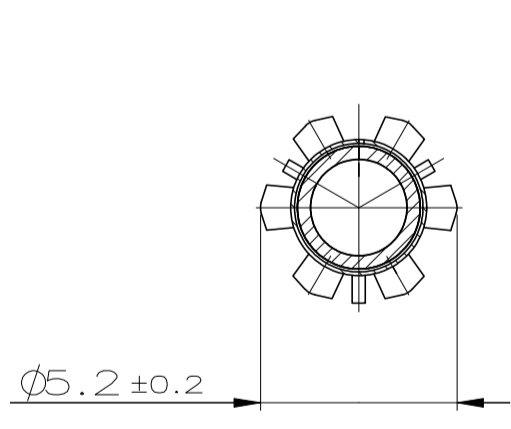
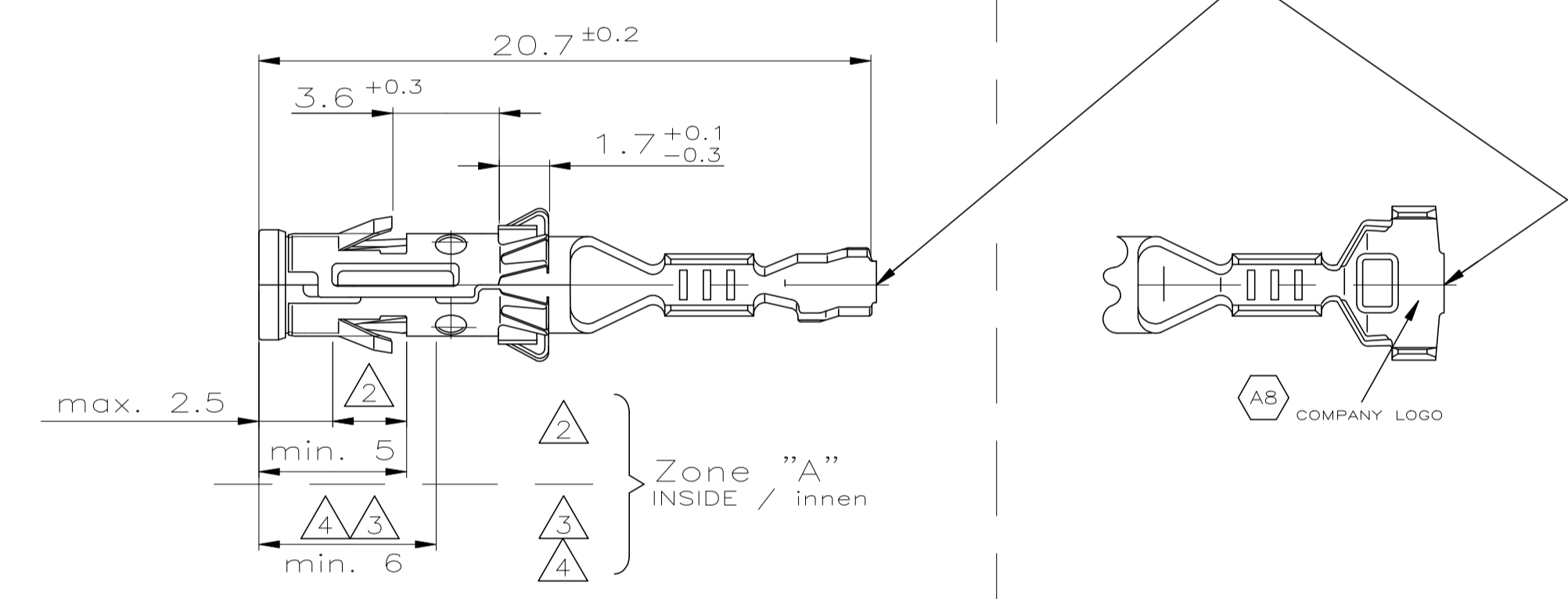
ORDER-Nr.	ORDER-Nr.	REV.	MATERIAL	SURFACE	DGB	WIRE CRIMP	INSUL.-CRIMP	WIRE CRIMP HEIGHT CH	APPLICATION TOOL	HAND TOOL	A	B	C	ORDER-Nr.	ORDER-Nr.	
STRIP FORM	LOOSE PIECE		Werkstoff	Oberfläche	[mm ²]	Drahterimp	Isol.-Crimp	Drahterimp-Höhe CH	Anschlag-WKZ	Handzange				SINGLE SEAL	DEAD END PLUG	
Bandware	Einzelausführung													Einzeldichtung	Blindstopfen	
1-962801-4	1-962983-4	A	CuNiSi	△4	>2.5-4.0 FLR	E = 4.3	H = 5.4	4.0mm ² = 2.30	MQC-Applicator		4	6.9	8.5	828985-1	-	
962801-7	962983-7	L				G = 4.5	K = 5.9	3.0mm ² = 2.05	2-878486-2	539679-2						
962801-1	962983-1	L				D _{br} = 2.4	D = 3.9		2151345	1579024-5						
1-929975-4	1-962982-4	A	CuNiSi	△4	>1.0-2.5 FLR	E = 3.6	H = 5.0	2.5mm ² = 1.97	MQC-Applicator		4	6.9	8.5	828921-1	828922-1	
929975-8	962982-8	N				G = 3.8	K = 5.0	2.0mm ² = 1.82	2-878486-2	539679-2						
929975-7	962982-7	N				D _{br} = 1.7	D = 3.6	1.5mm ² = 1.67	2151345	1579024-5						
1-929974-4	1-962981-4	A	CuNiSi	△4	0.5-1.0 FLR	E = 2.6	H = 4.8	1.0mm ² = 1.45	MQC-Applicator		3	5.4	7	828920-1	828922-1	
929974-8	962981-8	N				G = 2.8	K = 4.8	0.75mm ² = 1.36	2-878485-2	734289-1						
929974-7	962981-7	N				D _{br} = 1.1	D = 3.2	0.5mm ² = 1.27	2151139	1579024-3						
1-929973-4	1-962980-4	A	CuNiSi	△4	0.2-0.4 FLR	E = 2.1	H = 4.5	-	MQC-Applicator		3	5.4	7	828920-1	828922-1	
929973-8	962980-8	N				G = 2.1	K = 4.5	0.35mm ² = 1.11	2-878484-2	734289-1						
929973-7	962980-7	N				D _{br} = 0.8	D = 3.2	-	2151732	1579024-3						
929973-1	962980-1	M														

VERSION A
(USEALED / ungedichtet)

VERSION B
(SINGLE WIRE SEAL-SYSTEM / Einzel-Dichtungs-System)



CUT-OFF FOR STRIP FORM AND LP-PARTS
Trennstelle fuer Bandware und LP-Teile



ORDER-Nr.	ORDER-Nr.	REV.	MATERIAL	SURFACE	DGB	WIRE CRIMP	INSUL.-CRIMP	WIRE CRIMP HEIGHT CH	APPLICATION TOOL	HAND TOOL	A	B	C	
STRIP FORM	LOOSE PIECE		Werkstoff	Oberfläche	[mm ²]	Drahterimp	Isol.-Crimp	Drahterimp-Höhe CH	Anschlag-WKZ	Handzange				
Bandware	Einzelausführung													
1-929972-4	1-962979-4	A	CuNiSi	△4	>2.5-4.0 FLR	E = 4.3	H = 5.4	4.0mm ² = 2.30	MQC-Applicator		4	5.5	8.5	
929972-8	962979-8	K				G = 4.5	K = 5.6	3.0mm ² = 2.05	2-878483-2	734285-3				
929972-7	962979-7	K				D _{br} = 2.4	D = 3.2		2836098	734289-3				
1-929971-4	1-962978-4	A	CuNiSi	△4	>1.0-2.5 FLR	E = 3.6	H = 4.3	2.5mm ² = 1.97	MQC-Applicator		4	5.5	8.5	
929971-8	962978-8	M				G = 3.8	K = 4.5	2.0mm ² = 1.82	2-878482-2	734285-2				
929971-7	962978-7	M				D _{br} = 1.7	D = 2.6	1.5mm ² = 1.67	2266503					
1-929970-4	1-962977-4	A	CuNiSi	△4	>0.5-1.0 FLR	E = 2.6	H = 3.2	1.0mm ² = 1.45	MQC-Applicator		3	4.5	7	
929970-8	962977-8	M				G = 2.8	K = 3.4	0.75mm ² = 1.36	2-878481-2	734285-1				
929970-7	962977-7	M				D _{br} = 1.1	D = 1.8	0.5mm ² = 1.27	2266254	2-1579024-5				
1-929969-4	1-962976-4	A	CuNiSi	△4	0.2-0.4 FLR	E = 2.1	H = 2.5	0.35mm ² = 1.11	MQC-Applicator		3	4.5	7	
929969-8	962976-8	K				G = 2.1	K = 2.5	0.25mm ² = 1.07	2-878480-2	734285-1				
929969-7	962976-7	K				D _{br} = 0.8	D = 1.4	0.2mm ² = 1.05	2836097	2-1579024-4				
929969-1	962976-1	J												

THIS DRAWING IS A CONTROLLED DOCUMENT. DIESE ZEICHNUNG IST EIN KONTROLLIERTES DOKUMENT.

TE Connectivity

PRODUCT SPEC: DIA. 2.5MM SOCKET CONTACT
DIA 2.5mm Buchsenkontakt

SCALE: 5:1