

6

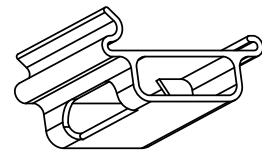
5

4

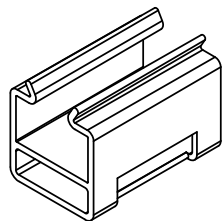
3

2

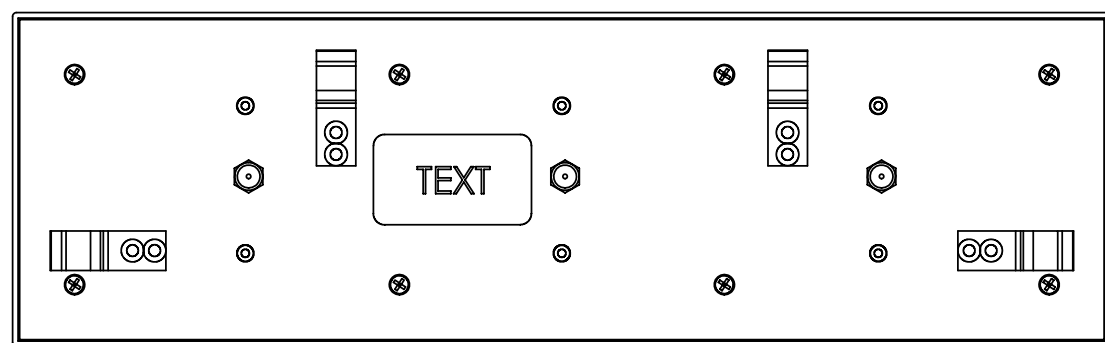
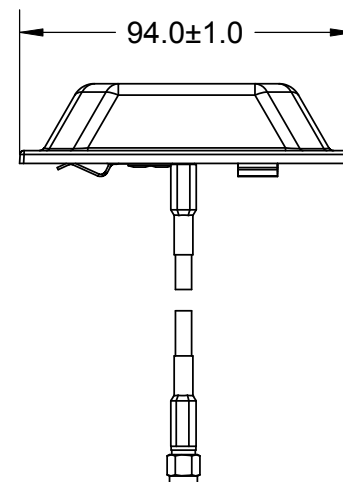
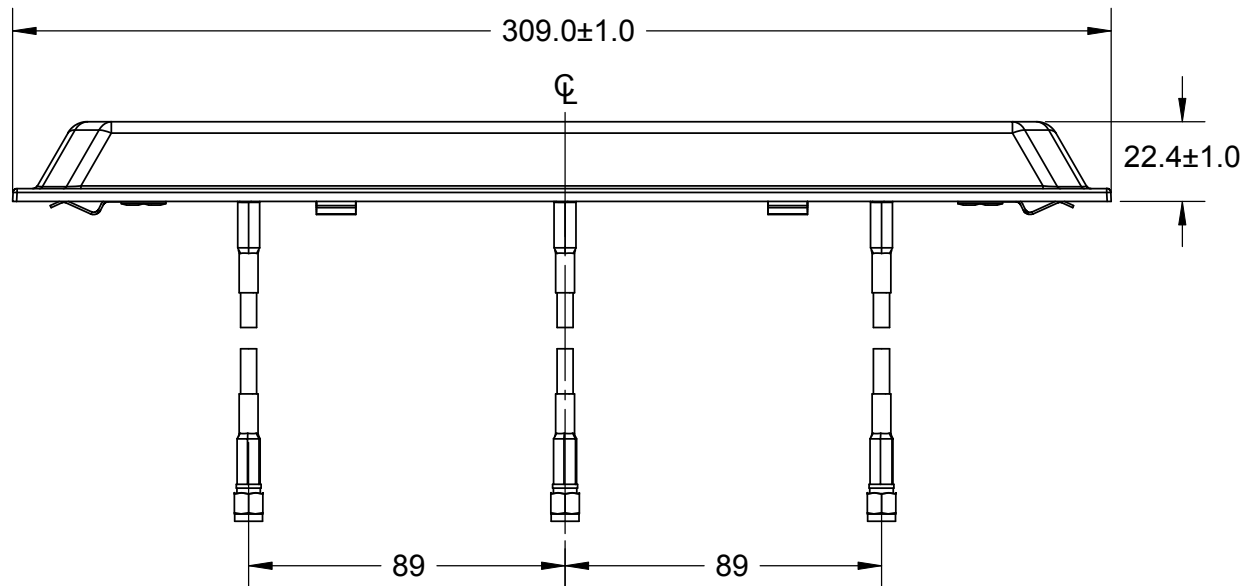
1



RECESSED TILE ADAPTER CLIP



CEILING FINELINE ADAPTER CLIP



REVISIONS					
REV.	ECR#	ZONE	DESCRIPTION	CHANGED BY/DATE	APPROVED BY/DATE
1			PRELIMINARY RELEASE	S.J. 02/14/2008	S.J. 02/14/2008
2			CHANGED GP AND RAD TO TOOLED VERSIONS	S.J. 04/17/2008	S.J. 04/17/2008
AA			FORMAL RELEASE	S.J. 5/29/2008	S.J. 5/29/2008

Parameter	Performance	
Antenna Part Number	S24493TS36RSM	
Frequency	2.4-2.5 GHz & 4.90-5.99 GHz	
Gain (W/36" Cable)	2.4-2.5 GHz	4.90-5.99 GHz
	3.0 ± 0.5dBi	4.0 ± 1.0dBi
Polarization	Linear Vert.	
VSWR	2:1	
Azimuth Plane Beamwidth	Omnidirectional	
Elevation Plane 3 dB Beamwidth	60°	
Cable Length	60"	
RF Connectors	Reverse SMA Male (3X)	
Power	2 Watts	
Weight	0.34 kg	
Radome Color	White	
Mounting	Ceiling Clips	

MATERIAL: N/A		THIRD ANGLE PROJECTION			
FINISH: N/A					
APPROVALS		DATE		TITLE: S24493TS36RSM	
DRAWN BY	S. JOHNSON	1/07/08			
PROJ. ENG.	J. MORROW	5/30/08			
APPL. MECH.	K. SEARL	6/02/08			
MFG.	I. CHICKLIS	5/30/08		SIZE A3	
THIS DRAWING IS UNPUBLISHED. © Copyright 2022 TE Connectivity Ltd.		RELEASED FOR PUBLICATION ALL RIGHTS RESERVED.		DWG. NO. S24493TS36RSMMO	
				REV AA	
				SCALE: 1:2	
				PREVIOUS#	
				SHEET 1 OF 1	

6

5

4

3

2

1