

2138558-1 ✓ ACTIVE

## Generation Y Connector System

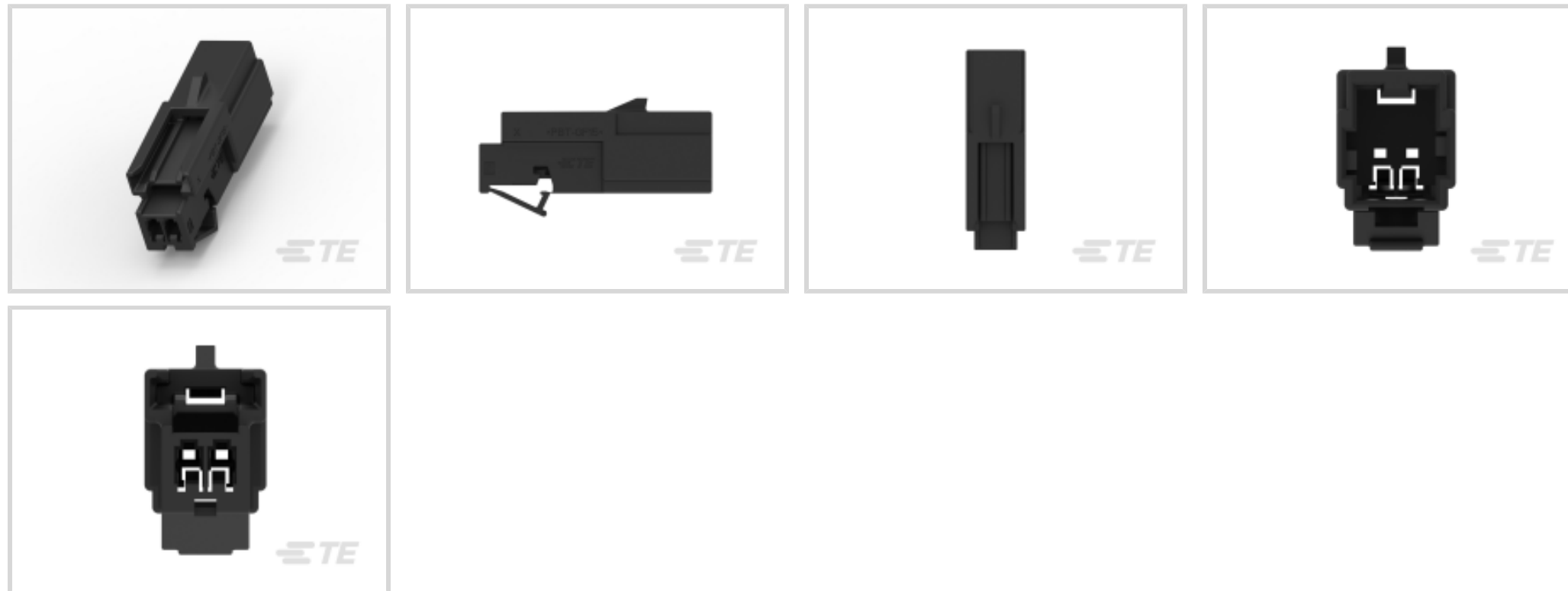
TE Internal #: 2138558-1

Housing for Male Terminals, Wire-to-Wire, 2 Position, .1 in [2.54 mm] Centerline, Black, Signal, Generation Y Connector System

[View on TE.com >](#)



Connectors > Automotive Connectors > Automotive Housings



Connector System: **Wire-to-Wire**

Number of Positions: **2**

Connector & Housing Type: **Housing for Male Terminals**

Centerline (Pitch): **2.54 mm [.1 in]**

Sealable: **No**

### Features

#### Product Type Features

Mixed & Hybrid Connector	No
Connector Shape	Rectangular
Connector System	Wire-to-Wire
Connector & Housing Type	Housing for Male Terminals
Sealable	No
Primary Locking Feature	Integrated in Housing

#### Configuration Features

Number of Positions	2
Number of Rows	1

#### Body Features

Cable Exit Angle	180°
Primary Product Color	Black
Connector & Keying Code	A

#### Contact Features

--	--



Contact Size	.64mm
Contact Type	Tab
Mating Tab Width	.64 mm[.025 in]

### Mechanical Attachment

Terminal Position Assurance	Yes
Strain Relief	Without
Mating Alignment Type	Keyed
Mating Alignment	With
Connector Mounting Type	Cable Mount (Free-Hanging)

### Housing Features

Housing Material	PBT GF
Centerline (Pitch)	2.54 mm[.1 in]

### Dimensions

Connector Height	12.97 mm[.511 in]
Product Width	9.45 mm[.372 in]
Product Length	31.75 mm[1.25 in]

### Usage Conditions

Operating Temperature (Max)	70 °C, 75 °C, 80 °C, 85 °C, 90 °C, 100 °C [158 °F][167 °F][176 °F][185 °F][194 °F][212 °F]
Operating Temperature Range	-40 – 100 °C[-40 – 212 °F]

### Operation/Application

Circuit Application	Signal
---------------------	--------

### Other

Serviceable	Yes
Connector Position Assurance Capable	No

### Product Compliance

[For compliance documentation, visit the product page on TE.com>](#)

EU RoHS Directive 2011/65/EU	Compliant
EU ELV Directive 2000/53/EC	Compliant
China RoHS 2 Directive MIIT Order No 32, 2016	No Restricted Materials Above Threshold
EU REACH Regulation (EC) No. 1907/2006	



Current ECHA Candidate List: JUNE 2023 (235)

Candidate List Declared Against: JUNE 2023 (235)

Does not contain REACH SVHC

Halogen Content	Low Halogen - Br, Cl, F, I < 900 ppm per homogenous material. Also BFR/CFR/PVC Free
-----------------	---

Solder Process Capability	Not applicable for solder process capability
---------------------------	--

Product Compliance Disclaimer

This information is provided based on reasonable inquiry of our suppliers and represents our current actual knowledge based on the information they provided. This information is subject to change. The part numbers that TE has identified as EU RoHS compliant have a maximum concentration of 0.1% by weight in homogenous materials for lead, hexavalent chromium, mercury, PBB, PBDE, DBP, BBP, DEHP, DIBP, and 0.01% for cadmium, or qualify for an exemption to these limits as defined in the Annexes of Directive 2011/65/EU (RoHS2). Finished electrical and electronic equipment products will be CE marked as required by Directive 2011/65/EU. Components may not be CE marked. Additionally, the part numbers that TE has identified as EU ELV compliant have a maximum concentration of 0.1% by weight in homogenous materials for lead, hexavalent chromium, and mercury, and 0.01% for cadmium, or qualify for an exemption to these limits as defined in the Annexes of Directive 2000/53/EC (ELV). Regarding the REACH Regulation, the information TE provides on SVHC in articles for this part number is based on the latest European Chemicals Agency (ECHA) 'Guidance on requirements for substances in articles' posted at this URL: <https://echa.europa.eu/guidance-documents/guidance-on-reach>

## Compatible Parts



TE Part # 2138557-1  
2P GENERATION Y Plug, Single-P



TE Part # CAT-N57-GYTH68  
Generation Y Terminals, 68POS Hybrid



TE Part # 1924968-8  
CONTACT, MALE 0.64, 0.35SQMM



TE Part # 1924968-5  
CONTACT, MALE 0.64, .13SQMM



TE Part # 1924968-6  
CONTACT, MALE 0.64, 0.35SQMM



TE Part # 1924968-7  
CONTACT, MALE 0.64, .13SQMM

## Also in the Series | Generation Y Connector System



Automotive Connector Caps & Covers (16)



Automotive Housings(128)



Automotive Terminals(39)

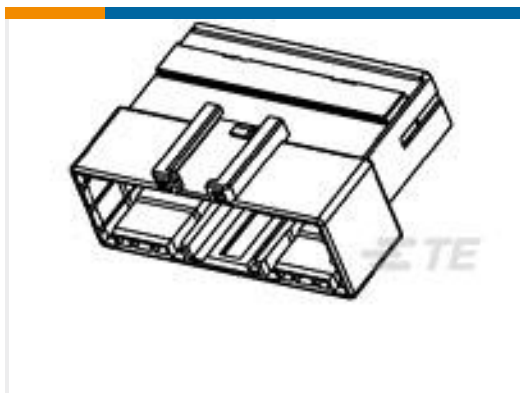


Insertion & Extraction Tools(1)



PCB Headers & Receptacles(15)

## Customers Also Bought



TE Part #936271-1  
090III 6P(D) CAP ASSY



TE Part #1379658-3  
TH/.025 CONNECTOR SYSTEM,  
HOUSING



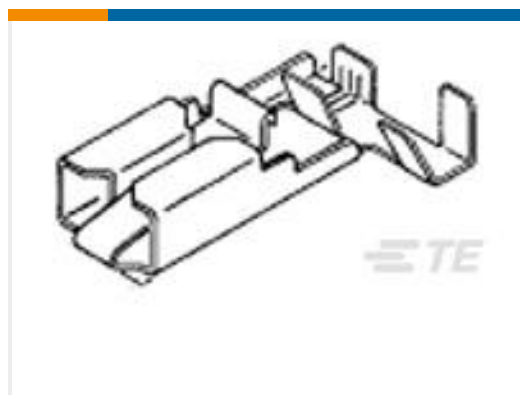
TE Part #1411001-9  
2x4 SEALED HARN ASSY W/O CPA



TE Part #2035363-5  
1X6 GENERATION Y ASSY KEY D



TE Part #2138558-3  
2P G-Y Cap, Single-Piece, No Clip, A



TE Part #926820-1  
PL 250 REC TERMINAL-FLAG 20-15  
PTPPB



TE Part #1-1418790-1  
COVER,MQS,2X4POSN.



TE Part #2035363-7  
1X6 GENERATION Y ASSY KEY E

## Documents

### Product Drawings

[2P GENERATION Y Cap, Single-Pi](#)

English

### CAD Files

[Customer View Model](#)

[ENG\\_CVM\\_CVM\\_2138558-1\\_A.2d\\_dxf.zip](#)

English

[3D PDF](#)



3D

Customer View Model

[ENG\\_CVM\\_CVM\\_2138558-1\\_A.3d\\_igs.zip](#)

English

Customer View Model

[ENG\\_CVM\\_CVM\\_2138558-1\\_A.3d\\_stp.zip](#)

English

By downloading the CAD file I accept and agree to the [Terms and Conditions](#) of use.

### Instruction Sheets

[Instruction Sheet \(U.S.\)](#)

English