

1379101-1 ✓ ACTIVE

MQS

TE Internal #: 1379101-1

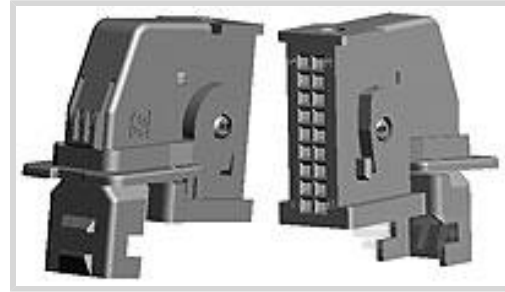
Automotive Connector Caps & Covers, Cover Assembly, Black, PBT

GF, 18 Position, -40 – 212 °F [-40 – 100 °C], MQS

[View on TE.com >](#)



Connectors > Automotive Connectors > Automotive Connector Accessories > Automotive Connector Caps & Covers



Protection & Strain Relief Accessory Type: **Cover Assembly**

Strain Relief: **Without**

Primary Product Color: **Black**

Primary Product Material: **PBT GF**

Number of Positions: **18**

## Features

### Product Type Features

Protection & Strain Relief Accessory Type	Cover Assembly
---	----------------

### Configuration Features

Number of Positions	18
---------------------	----

### Body Features

Primary Product Color	Black
-----------------------	-------

Primary Product Material	PBT GF
--------------------------	--------

### Mechanical Attachment

Strain Relief	Without
---------------	---------

### Usage Conditions

Operating Temperature (Max)	100 °C[212 °F]
-----------------------------	----------------

Operating Temperature Range	-40 – 100 °C[-40 – 212 °F]
-----------------------------	----------------------------

### Packaging Features

Packaging Quantity	1100
--------------------	------

Packaging Method	Box
------------------	-----

## Product Compliance

[For compliance documentation, visit the product page on TE.com>](#)

EU RoHS Directive 2011/65/EU	Compliant
------------------------------	-----------



EU ELV Directive 2000/53/EC	Compliant
China RoHS 2 Directive MIIT Order No 32, 2016	No Restricted Materials Above Threshold
EU REACH Regulation (EC) No. 1907/2006	Current ECHA Candidate List: JUNE 2023 (235) Candidate List Declared Against: JUNE 2023 (235) Does not contain REACH SVHC
Halogen Content	Low Halogen - Br, Cl, F, I < 900 ppm per homogenous material. Also BFR/CFR/PVC Free
Solder Process Capability	Not reviewed for solder process capability

Product Compliance Disclaimer

This information is provided based on reasonable inquiry of our suppliers and represents our current actual knowledge based on the information they provided. This information is subject to change. The part numbers that TE has identified as EU RoHS compliant have a maximum concentration of 0.1% by weight in homogenous materials for lead, hexavalent chromium, mercury, PBB, PBDE, DBP, BBP, DEHP, DIBP, and 0.01% for cadmium, or qualify for an exemption to these limits as defined in the Annexes of Directive 2011/65/EU (RoHS2). Finished electrical and electronic equipment products will be CE marked as required by Directive 2011/65/EU. Components may not be CE marked. Additionally, the part numbers that TE has identified as EU ELV compliant have a maximum concentration of 0.1% by weight in homogenous materials for lead, hexavalent chromium, and mercury, and 0.01% for cadmium, or qualify for an exemption to these limits as defined in the Annexes of Directive 2000/53/EC (ELV). Regarding the REACH Regulation, the information TE provides on SVHC in articles for this part number is based on the latest European Chemicals Agency (ECHA) 'Guidance on requirements for substances in articles' posted at this URL: <https://echa.europa.eu/guidance-documents/guidance-on-reach>

## Compatible Parts

TE Part # CAT-SIGH262  
Signal Header

TE Part # 185306-1  
LEVER FOR MQS 18W

## Also in the Series | MQS

Automotive Connector Caps & Covers (111)

Automotive Connector EMC Shielding (3)

Automotive Connector Locks & Position Assurance(27)

Automotive Housings(375)



Automotive Terminals(89)



Connector Seals & Cavity Plugs(26)



Insertion & Extraction Tools(42)



Other Automotive Connector Accessories(7)



PCB Headers & Receptacles(143)

## Customers Also Bought



TE Part #968678-2  
MQS, RECEPTACLE AND TAB



TE Part #1379914-1  
MQS, CONNECTOR HOUSING



TE Part #1801175-5  
2W RECEPTACLE HP CONNECTOR  
GREEN



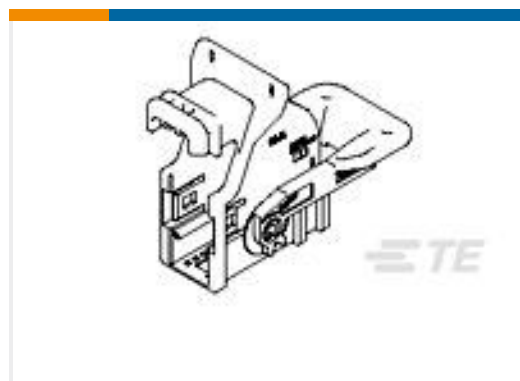
TE Part #1801155-5  
COVER FOR 2W HP CONNECTOR  
GREEN



TE Part #1801467-1  
COVER, FIXED, 3 WAY HP  
CONNECTOR



TE Part #1-1801178-2  
3W RECEPTACLE HP CONNECTOR  
BLUE



TE Part #1379917-1  
20POS MIXED MQS REC



TE Part #1544966-1  
8MM NG1+ TERMINAL

## Documents

### Product Drawings

[COV+LEV MQS 18W 90DEG BLK](#)

English

### CAD Files

[Customer View Model](#)

[ENG\\_CVM\\_CVM\\_1379101-1\\_B.2d\\_dxf.zip](#)

English

[3D PDF](#)



3D

Customer View Model

[ENG\\_CVM\\_CVM\\_1379101-1\\_B.3d\\_igs.zip](#)

English

Customer View Model

[ENG\\_CVM\\_CVM\\_1379101-1\\_B.3d\\_stp.zip](#)

English

By downloading the CAD file I accept and agree to the [Terms and Conditions](#) of use.

---

### Product Specifications

[Product Specification](#)

French

[Product Specification](#)

English

---

### Instruction Sheets

[Instruction Sheet \(non U.S.\)](#)

French

[Instruction Sheet \(non U.S.\)](#)

English