

1-640523-0 ✓ ACTIVE

AMP | AMP MR

TE Internal #: 1-640523-0

Rectangular Power Connectors, Housing, Plug, Wire-to-Board /

Wire-to-Wire / Wire-to-Panel, 15 Position, 4.2 mm [.165 in]

Centerline, AMP MR

[View on TE.com >](#)



Connectors > Power Connectors > Rectangular Power > Rectangular Power Connectors



Rectangular Power Connector Type: **Housing**

Connector & Housing Type: **Plug**

Connector System: **Wire-to-Board, Wire-to-Panel, Wire-to-Wire**

Number of Positions: **15**

Centerline (Pitch): **4.2 mm [.165 in]**

## Features

### Product Type Features

Rectangular Power Connector Type	Housing
Connector & Housing Type	Plug
Connector System	Wire-to-Board, Wire-to-Panel, Wire-to-Wire
Sealable	No
Connector & Contact Terminates To	Wire & Cable

### Configuration Features

Number of Positions	15
Number of Power Positions	0
Number of Signal Positions	15
Number of Rows	5

### Electrical Characteristics

Operating Voltage	250 VDC
-------------------	---------

### Contact Features

Contact Current Rating (Max)	9 A
------------------------------	-----



Contact Retention Within Housing	With
----------------------------------	------

Contact Type	Socket
--------------	--------

### Termination Features

Termination Method to Wire & Cable	Crimp
------------------------------------	-------

### Mechanical Attachment

Mating Retention	With
------------------	------

Panel Mount Feature	Without
---------------------	---------

Mating Retention Type	Positive Lock
-----------------------	---------------

Connector Mounting Type	Panel Mount
-------------------------	-------------

### Housing Features

Centerline (Pitch)	4.2 mm [.165 in]
--------------------	------------------

Housing Color	Black
---------------	-------

Housing Material	PA 66
------------------	-------

### Dimensions

Connector Height	12.95 mm [.51 in]
------------------	-------------------

Product Width	29.72 mm [1.17 in]
---------------	--------------------

Product Length	21.34 mm [.84 in]
----------------	-------------------

Compatible Insulation Diameter Range	2.92 mm [.115 in]
--------------------------------------	-------------------

Wire Size	.12 – .8 mm <sup>2</sup>
-----------	--------------------------

Row-to-Row Spacing	4.19 mm [.165 in]
--------------------	-------------------

### Usage Conditions

Operating Temperature Range	-55 – 85 °C [-67 – 185 °F]
-----------------------------	----------------------------

### Operation/Application

Circuit Application	Power & Signal
---------------------	----------------

### Industry Standards

CSA Rating	LR 7189
------------	---------

UL Rating	Recognized
-----------	------------

Compatible With Agency/Standards Products	CSA, UL
---	---------

Compatible With Approved Standards Products	UL E28476
---	-----------

UL Flammability Rating	UL 94V-0
------------------------	----------

Glow Wire Rating	Standard Part - Not Glow Wire
------------------	-------------------------------



### Packaging Features

Packaging Quantity	1500
Packaging Method	Box

### Product Compliance

[For compliance documentation, visit the product page on TE.com>](#)

EU RoHS Directive 2011/65/EU	Compliant
EU ELV Directive 2000/53/EC	Compliant
China RoHS 2 Directive MIIT Order No 32, 2016	No Restricted Materials Above Threshold
EU REACH Regulation (EC) No. 1907/2006	Current ECHA Candidate List: JUNE 2023 (235) Candidate List Declared Against: JUNE 2023 (235) Does not contain REACH SVHC
Halogen Content	Not Low Halogen - contains Br or Cl > 900 ppm.
Solder Process Capability	Wave solder capable to 240°C

#### Product Compliance Disclaimer

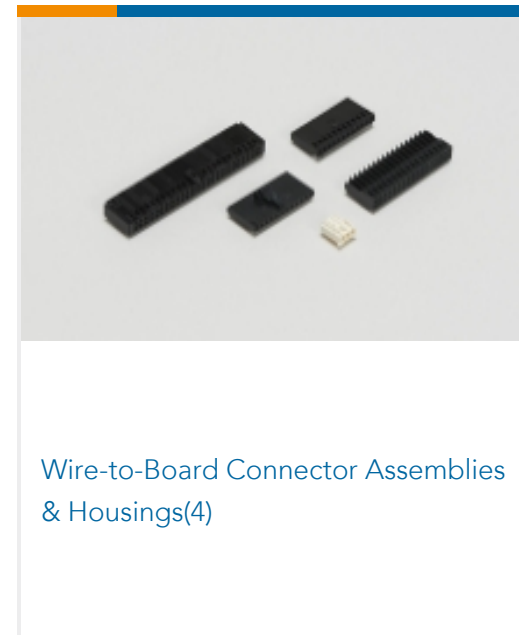
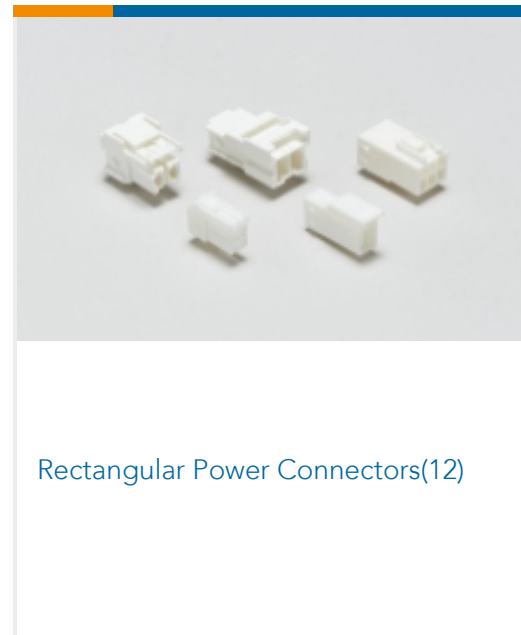
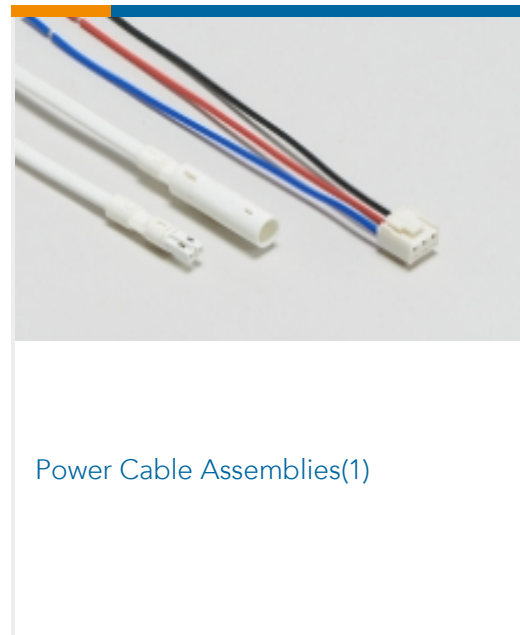
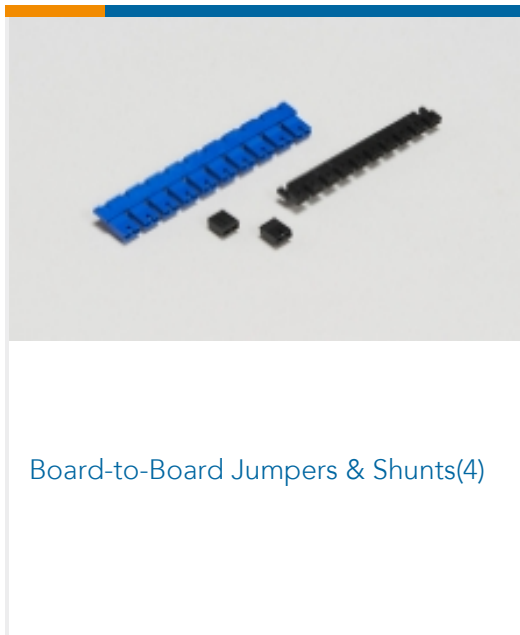
This information is provided based on reasonable inquiry of our suppliers and represents our current actual knowledge based on the information they provided. This information is subject to change. The part numbers that TE has identified as EU RoHS compliant have a maximum concentration of 0.1% by weight in homogenous materials for lead, hexavalent chromium, mercury, PBB, PBDE, DBP, BBP, DEHP, DIBP, and 0.01% for cadmium, or qualify for an exemption to these limits as defined in the Annexes of Directive 2011/65/EU (RoHS2). Finished electrical and electronic equipment products will be CE marked as required by Directive 2011/65/EU. Components may not be CE marked. Additionally, the part numbers that TE has identified as EU ELV compliant have a maximum concentration of 0.1% by weight in homogenous materials for lead, hexavalent chromium, and mercury, and 0.01% for cadmium, or qualify for an exemption to these limits as defined in the Annexes of Directive 2000/53/EC (ELV). Regarding the REACH Regulation, the information TE provides on SVHC in articles for this part number is based on the latest European Chemicals Agency (ECHA) 'Guidance on requirements for substances in articles' posted at this URL: <https://echa.europa.eu/guidance-documents/guidance-on-reach>

### Compatible Parts

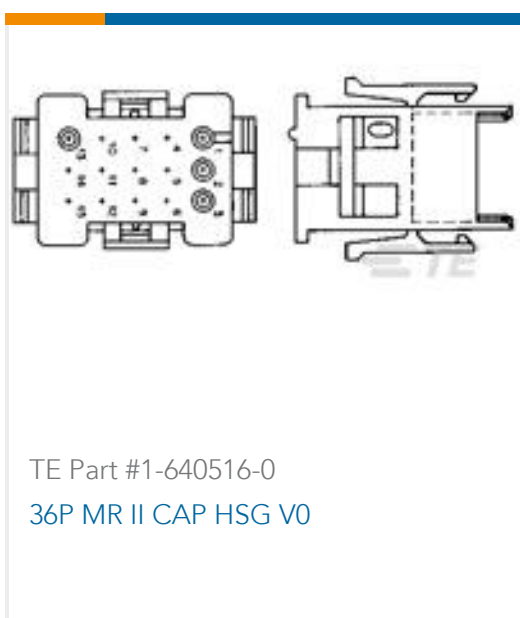
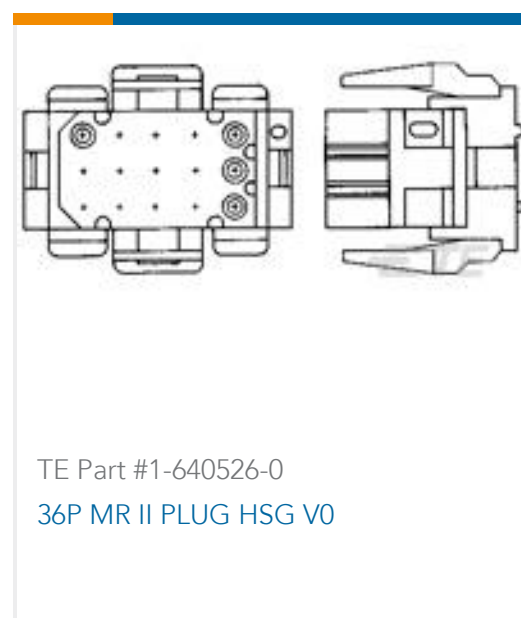
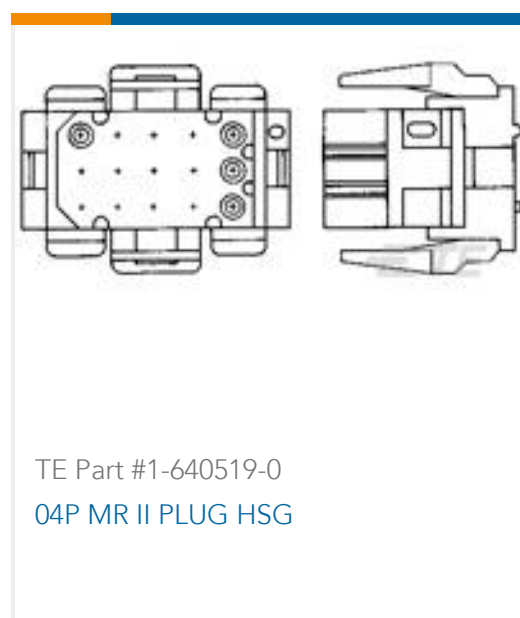
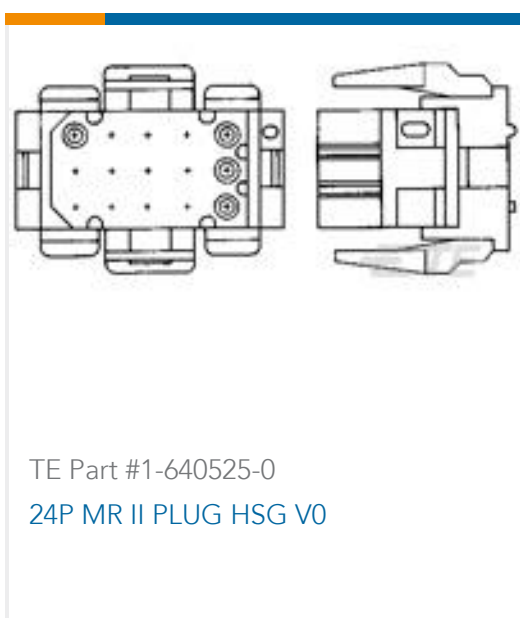
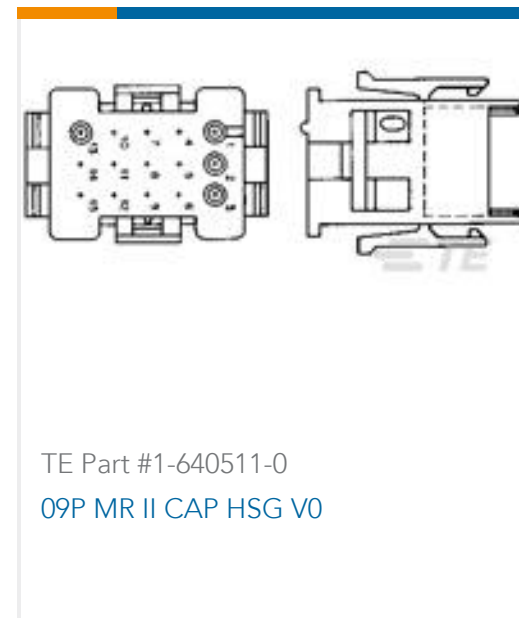
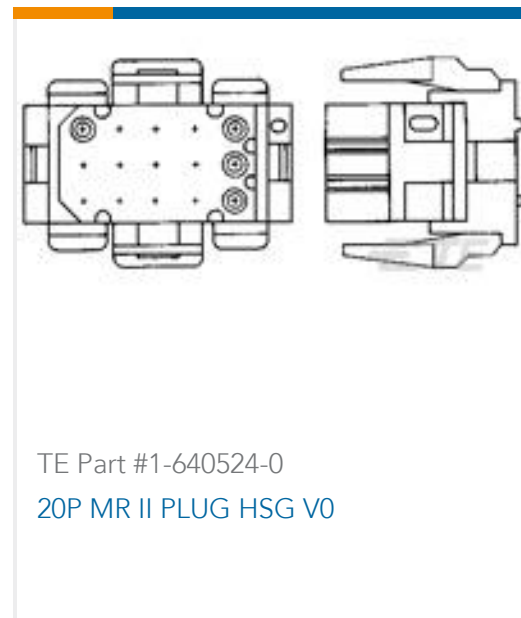
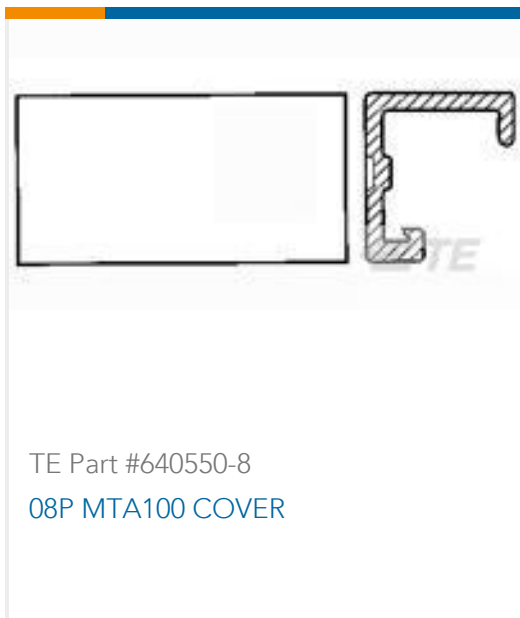
 <p>TE Part # 1-640513-0 15P MR II CAP HSG V0</p>	 <p>TE Part # 1-350523-9 15P MR STR/REL HNG</p>	 <p>TE Part # 2-640503-2 15P MR HDR ASSY VO LF</p>	 <p>TE Part # 2-640503-4 15P MR HDR ASSY VO LF</p>
--	--	---	---



Also in the Series | AMP MR



Customers Also Bought





## Documents

### Product Drawings

#### 15P MR II PLUG HSG V0

English

---

### CAD Files

#### 3D PDF

English

#### Customer View Model

##### ENG\_CVM\_1-640523-0\_E.2d\_dxf.zip

English

#### Customer View Model

##### ENG\_CVM\_1-640523-0\_E.3d\_igs.zip

English

#### Customer View Model

##### ENG\_CVM\_1-640523-0\_E.3d\_stp.zip

English

#### 3D PDF

3D

#### Customer View Model

##### ENG\_CVM\_CVM\_1-640523-0\_AF.2d\_dxf.zip

English

#### Customer View Model

##### ENG\_CVM\_CVM\_1-640523-0\_AF.3d\_igs.zip

English

#### Customer View Model

##### ENG\_CVM\_CVM\_1-640523-0\_AF.3d\_stp.zip

English

By downloading the CAD file I accept and agree to the [Terms and Conditions](#) of use.

---

### Datasheets & Catalog Pages

#### SOFT\_SHELL\_PIN\_AND\_SOCKET\_CONNECTORS\_CATALOG

English

---

### Product Specifications

#### Application Specification

English

---

### Instruction Sheets

#### Instruction Sheet (U.S.)

English

#### AMP\* MINIATURE RECTANGULAR II (MRII) CONNECTORS

English

---

### Agency Approvals

#### Agency Approval Document

1-640523-0

Rectangular Power Connectors, Housing, Plug, Wire-to-Board / Wire-to-Wire / Wire-to-Panel, 15 Position, 4.2 mm [.165 in] Centerline, AMP MR



English