

1719105-1 ✓ ACTIVE

AMP | Junior Power Timer

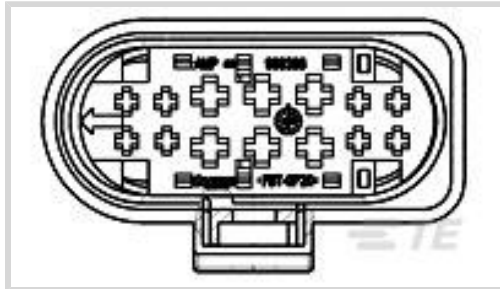
TE Internal #: 1719105-1

Housing for Female Terminals, Wire-to-Wire, 14 Position, .236 in / .177 in [4.5 mm / 6 mm] Centerline, Sealable, Violet, Junior Power Timer

[View on TE.com >](#)



Connectors > Automotive Connectors > Automotive Housings > Timer Connector Housing



Connector System: **Wire-to-Wire**

Number of Positions: **14**

Connector & Housing Type: **Housing for Female Terminals**

Centerline (Pitch): **4.5 mm, 6 mm [.177 in, .236 in]**

Sealable: **Yes**

[All Timer Connector Housing \(525\)](#)

Features

Product Type Features

Mixed & Hybrid Connector	Yes
Connector Shape	Rectangular
Connector System	Wire-to-Wire
Connector & Housing Type	Housing for Female Terminals
Sealable	Yes
Connector & Contact Terminates To	Wire & Cable
Primary Locking Feature	On the Terminal

Configuration Features

Number of Positions	14
Number of Rows	2

Electrical Characteristics

Operating Voltage	12 VDC
Nominal Voltage Architecture	14 V

Body Features

Cable Exit Angle	180°
Primary Product Color	Violet
Connector & Keying Code	Neutral



Contact Features

Contact Size	1.6mm, 2.8mm
Contact Type	Receptacle
Mating Tab Width	1.6 mm, 2.8 mm [.063 in][.11 in]
Contact Current Rating (Max)	10 A, 30 A

Mechanical Attachment

Terminal Position Assurance	Yes
Strain Relief	Without
Mating Alignment Type	Polarized
Mating Alignment	With
Connector Mounting Type	Cable Mount (Free-Hanging)

Housing Features

Housing Material	PBT GF
Centerline (Pitch)	4.5 mm, 6 mm [.177 in][.236 in]

Dimensions

Connector Height	23.1 mm [.909 in]
Product Width	33 mm [1.299 in]
Product Length	48.3 mm [1.902 in]
Row-to-Row Spacing	3.5 mm [.138 in]

Usage Conditions

Operating Temperature (Max)	130 °C [266 °F]
Operating Temperature Range	-40 – 130 °C [-40 – 266 °F]

Operation/Application

Circuit Application	Power & Signal
---------------------	----------------

Packaging Features

Packaging Quantity	200
Packaging Method	Box

Other

Serviceable	Yes
Connector Position Assurance Capable	No



Product Compliance

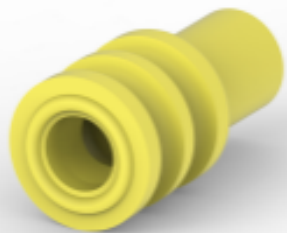
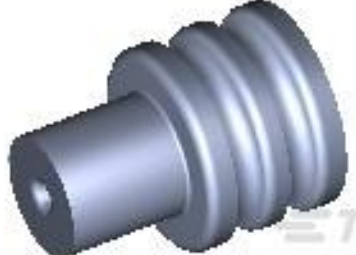

[For compliance documentation, visit the product page on TE.com>](#)

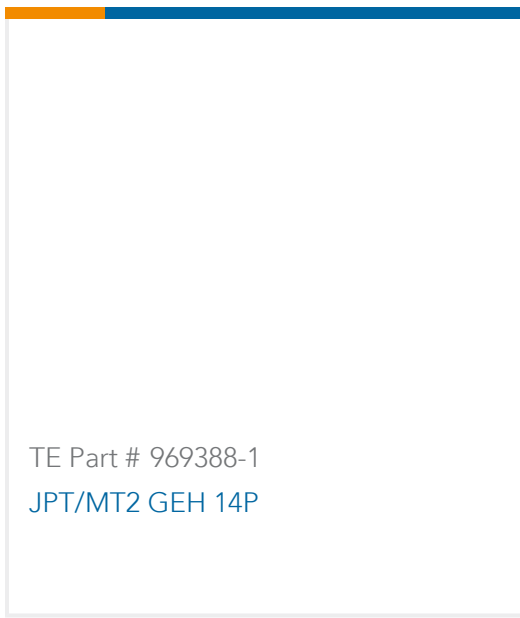
EU RoHS Directive 2011/65/EU	Compliant
EU ELV Directive 2000/53/EC	Compliant
China RoHS 2 Directive MIIT Order No 32, 2016	No Restricted Materials Above Threshold
EU REACH Regulation (EC) No. 1907/2006	Current ECHA Candidate List: JUNE 2023 (235) Candidate List Declared Against: JUNE 2023 (235) Does not contain REACH SVHC
Halogen Content	Low Halogen - Br, Cl, F, I < 900 ppm per homogenous material. Also BFR/CFR/PVC Free
Solder Process Capability	Not applicable for solder process capability

Product Compliance Disclaimer

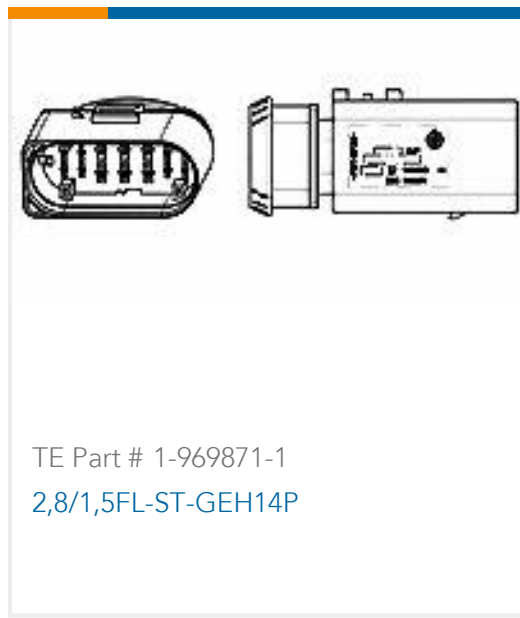
This information is provided based on reasonable inquiry of our suppliers and represents our current actual knowledge based on the information they provided. This information is subject to change. The part numbers that TE has identified as EU RoHS compliant have a maximum concentration of 0.1% by weight in homogenous materials for lead, hexavalent chromium, mercury, PBB, PBDE, DBP, BBP, DEHP, DIBP, and 0.01% for cadmium, or qualify for an exemption to these limits as defined in the Annexes of Directive 2011/65/EU (RoHS2). Finished electrical and electronic equipment products will be CE marked as required by Directive 2011/65/EU. Components may not be CE marked. Additionally, the part numbers that TE has identified as EU ELV compliant have a maximum concentration of 0.1% by weight in homogenous materials for lead, hexavalent chromium, and mercury, and 0.01% for cadmium, or qualify for an exemption to these limits as defined in the Annexes of Directive 2000/53/EC (ELV). Regarding the REACH Regulation, the information TE provides on SVHC in articles for this part number is based on the latest European Chemicals Agency (ECHA) 'Guidance on requirements for substances in articles' posted at this URL: <https://echa.europa.eu/guidance-documents/guidance-on-reach>

Compatible Parts

 <p>TE Part # 964972-1 EINZELLEITERDICHTNG</p>	 <p>TE Part # 963294-1 SINGLE WIRE SEAL INSULATION DI</p>	 <p>TE Part # CAT-T4827-T273 TIMER, RECEPTACLE AND TAB</p>	<p>TE Part # 1719104-1 14POS,JPT,REC.HSG,BK</p>
---	--	---	---



TE Part # 969388-1
JPT/MT2 GEH 14P

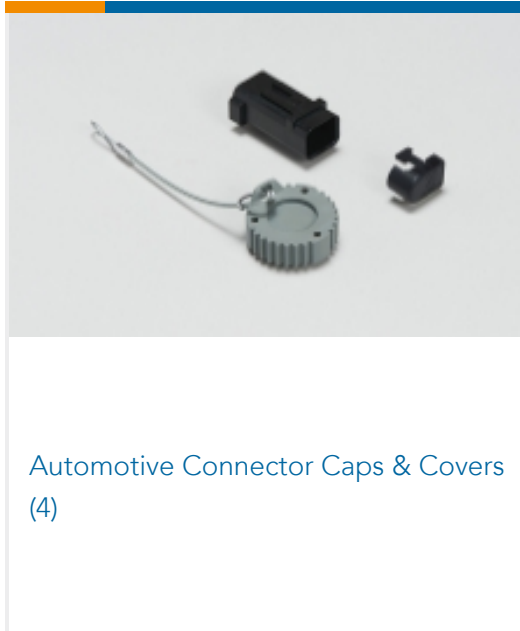


TE Part # 1-969871-1
2,8/1,5FL-ST-GEH14P

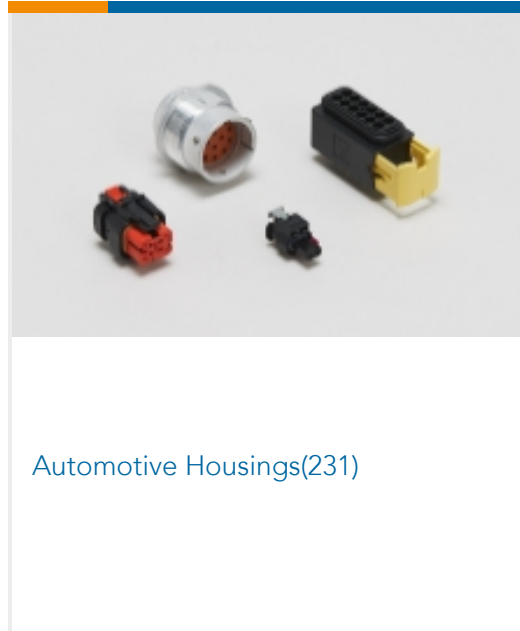


TE Part # 3-969871-1
2,8/1,5FL-ST-GEH10P

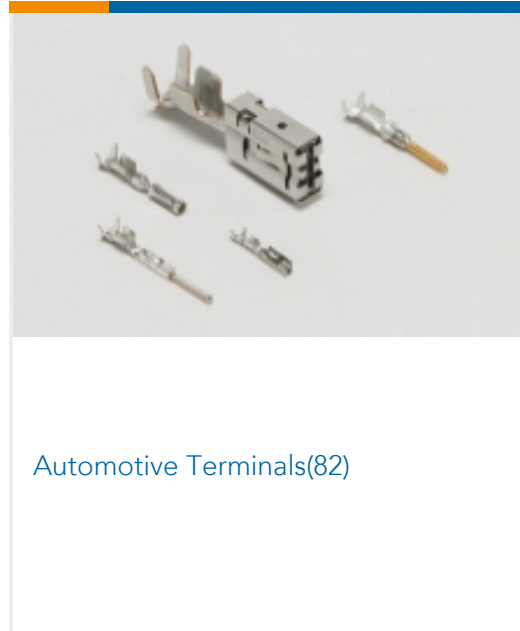
Also in the Series | Junior Power Timer



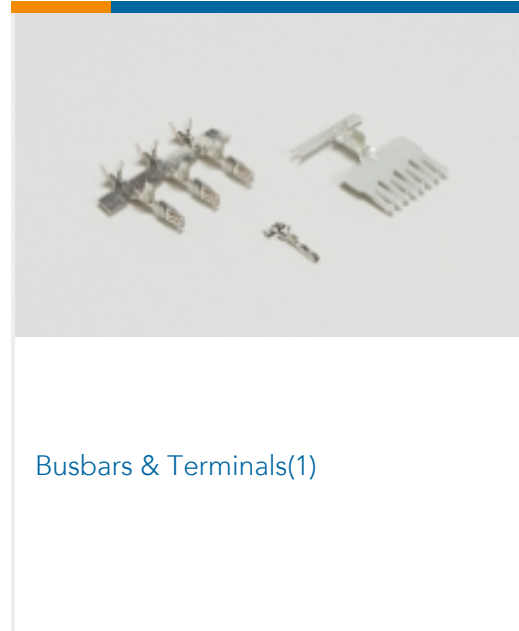
Automotive Connector Caps & Covers
(4)



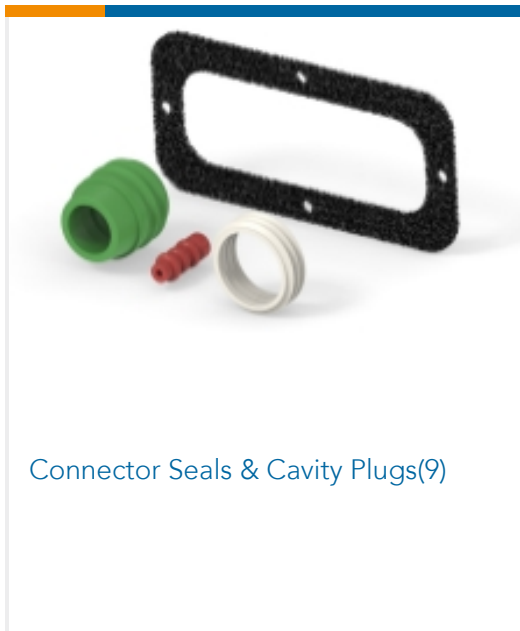
Automotive Housings(231)



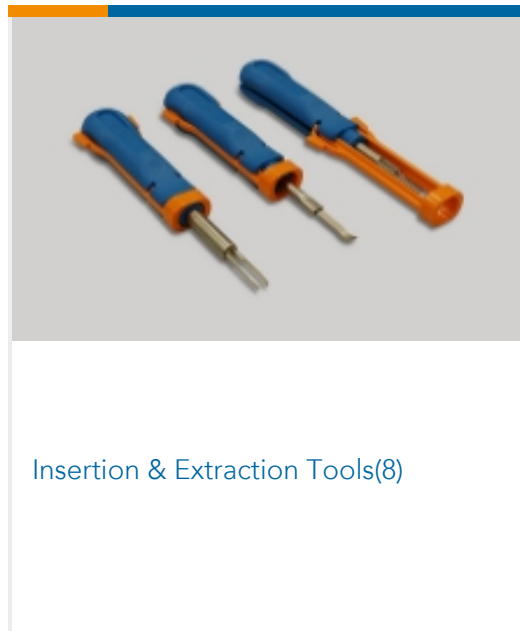
Automotive Terminals(82)



Busbars & Terminals(1)



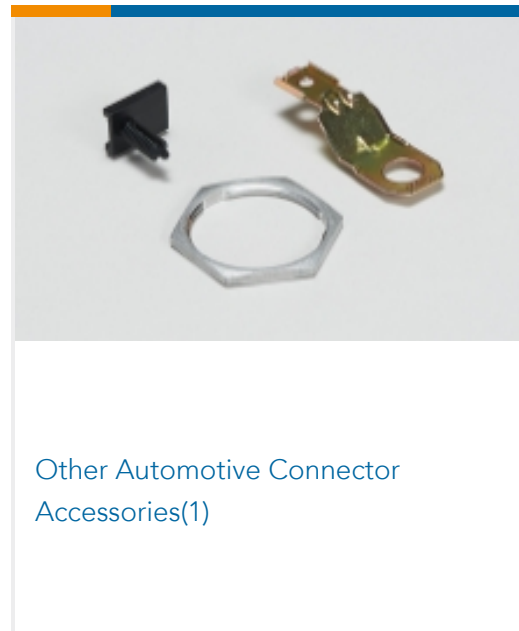
Connector Seals & Cavity Plugs(9)



Insertion & Extraction Tools(8)



Module Components(3)



Other Automotive Connector
Accessories(1)

Customers Also Bought



TE Part #2209477-1
KIT ASS'Y FOR 52POS.MQS FEMALE
CONNECTOR



TE Part #171354-1
17 CIR MIC PLUG HSG



TE Part #1-2236896-5
2POS, MCON 1.2 LL REC SEALED



TE Part #1-2299987-2
65W SEAL PLUG,CONN KIT



TE Part #1-2299988-1
REC CONN CVR ASSY,65POS,AMP
MCP 1.5K



TE Part #1-2356718-1
22POS,AMP MCP 2.8,REC HSG ASSY,
COD Z



TE Part #2325415-2
40POS,ML .025,REC HSG ASSY,UNSLD



TE Part #2328653-1
LANGUETTE 6,3 NG1



Documents

Product Drawings

14POS,JPT,REC.HSG,BK

English

CAD Files

3D PDF

3D

Customer View Model

ENG_CVM_CVM_1719105-1_C.2d_dxf.zip

English

Customer View Model

ENG_CVM_CVM_1719105-1_C.3d_igs.zip

English

Customer View Model

ENG_CVM_CVM_1719105-1_C.3d_stp.zip

English

By downloading the CAD file I accept and agree to the [Terms and Conditions](#) of use.

Datasheets & Catalog Pages

Timer Interconnection System

English

Product Specifications

Application Specification

English