

281810-2 ✓ ACTIVE

AMP | Junior Power Timer

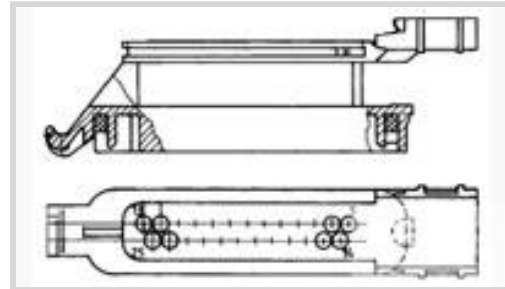
TE Internal #: 281810-2

Housing for Male Terminals, Wire-to-Device / Wire-to-Board, 25 Position, .197 in [5 mm] Centerline, Sealable, Black, Junior Power Timer

[View on TE.com >](#)



Connectors > Automotive Connectors > Automotive Housings > Timer Connector Housing



Connector System: **Wire-to-Board, Wire-to-Device**

Number of Positions: **25**

Connector & Housing Type: **Housing for Male Terminals**

Centerline (Pitch): **5 mm [.197 in]**

Sealable: **Yes**

[All Timer Connector Housing \(525\)](#)

Features

Product Type Features

Mixed & Hybrid Connector	No
Connector Shape	Rectangular
Connector System	Wire-to-Board, Wire-to-Device
Connector & Housing Type	Housing for Male Terminals
Sealable	Yes
Primary Locking Feature	On the Terminal

Configuration Features

Number of Positions	25
Number of Rows	2

Electrical Characteristics

Operating Voltage	24 VDC
Nominal Voltage Architecture	12 V, 24 V

Body Features

Cable Exit Angle	90°
Primary Product Color	Black

Contact Features

--	--



Contact Size	2.8mm
--------------	-------

Mechanical Attachment

Terminal Position Assurance	No
-----------------------------	----

Strain Relief	Without
---------------	---------

Mating Alignment Type	Polarized
-----------------------	-----------

Mating Alignment	With
------------------	------

Connector Mounting Type	Cable Mount (Free-Hanging)
-------------------------	----------------------------

Housing Features

Housing Material	PA GF
------------------	-------

Centerline (Pitch)	5 mm [.197 in]
--------------------	----------------

Dimensions

Connector Height	39.6 mm [1.559 in]
------------------	--------------------

Product Width	25 mm [.984 in]
---------------	-----------------

Product Length	100.3 mm [3.949 in]
----------------	---------------------

Row-to-Row Spacing	5.6 mm [.22 in]
--------------------	-----------------

Usage Conditions

Operating Temperature (Max)	70 °C, 75 °C, 80 °C, 85 °C, 90 °C, 100 °C, 105 °C [158 °F] [167 °F] [176 °F] [185 °F] [194 °F] [212 °F] [221 °F]
-----------------------------	--

Operating Temperature Range	-30 – 105 °C [-22 – 221 °F]
-----------------------------	-----------------------------

Industry Standards

Degree of Protection	IP54K
----------------------	-------

Packaging Features

Packaging Method	Box
------------------	-----

Other

Serviceable	No
-------------	----

Connector Position Assurance Capable	No
--------------------------------------	----

Product Compliance

[For compliance documentation, visit the product page on TE.com>](#)

EU RoHS Directive 2011/65/EU	Compliant
------------------------------	-----------

EU ELV Directive 2000/53/EC	Compliant
-----------------------------	-----------

China RoHS 2 Directive MIIT Order No 32, 2016	No Restricted Materials Above Threshold
---	---



EU REACH Regulation (EC) No. 1907/2006

Current ECHA Candidate List: JUNE 2023 (235)

Candidate List Declared Against: JUNE 2023 (235)

Does not contain REACH SVHC

Halogen Content

Low Halogen - Br, Cl, F, I < 900 ppm per homogenous material. Also BFR/CFR/PVC Free

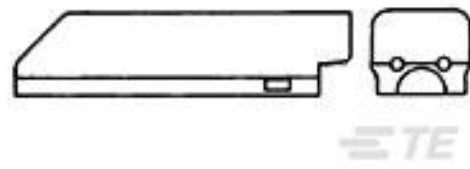
Solder Process Capability

Not applicable for solder process capability

Product Compliance Disclaimer

This information is provided based on reasonable inquiry of our suppliers and represents our current actual knowledge based on the information they provided. This information is subject to change. The part numbers that TE has identified as EU RoHS compliant have a maximum concentration of 0.1% by weight in homogenous materials for lead, hexavalent chromium, mercury, PBB, PBDE, DBP, BBP, DEHP, DIBP, and 0.01% for cadmium, or qualify for an exemption to these limits as defined in the Annexes of Directive 2011/65/EU (RoHS2). Finished electrical and electronic equipment products will be CE marked as required by Directive 2011/65/EU. Components may not be CE marked. Additionally, the part numbers that TE has identified as EU ELV compliant have a maximum concentration of 0.1% by weight in homogenous materials for lead, hexavalent chromium, and mercury, and 0.01% for cadmium, or qualify for an exemption to these limits as defined in the Annexes of Directive 2000/53/EC (ELV). Regarding the REACH Regulation, the information TE provides on SVHC in articles for this part number is based on the latest European Chemicals Agency (ECHA) 'Guidance on requirements for substances in articles' posted at this URL: <https://echa.europa.eu/guidance-documents/guidance-on-reach>

Compatible Parts



TE Part # 281812-1
COVER FOR 25W. SPLASH PROOF CO




TE Part # CAT-LMPH9507
Low & Medium Power Header

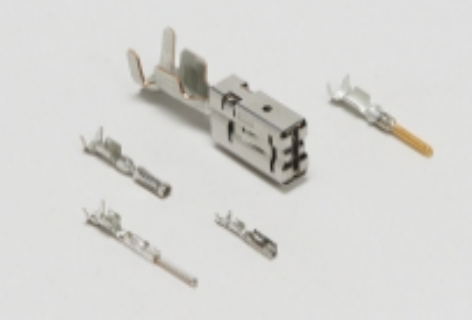
Also in the Series | Junior Power Timer




Automotive Connector Caps & Covers (4)



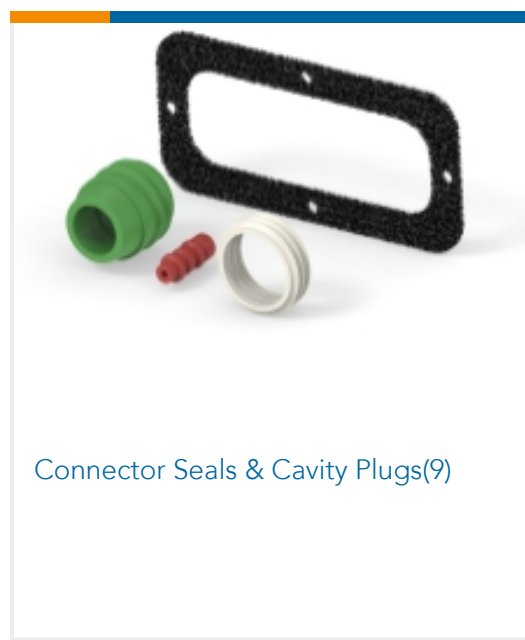
Automotive Housings(231)



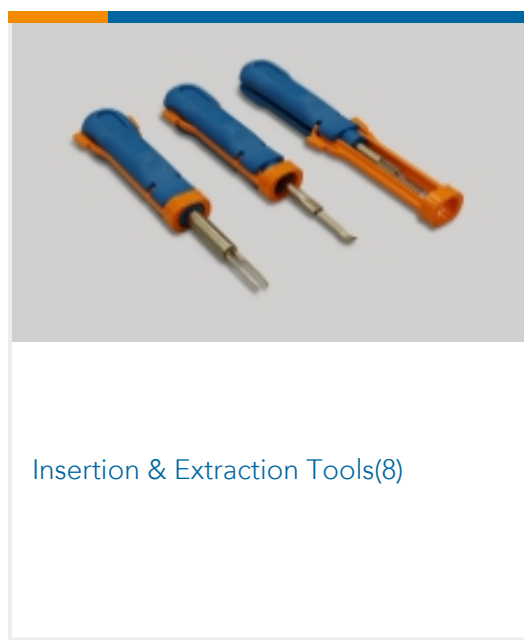
Automotive Terminals(82)



Busbars & Terminals(1)



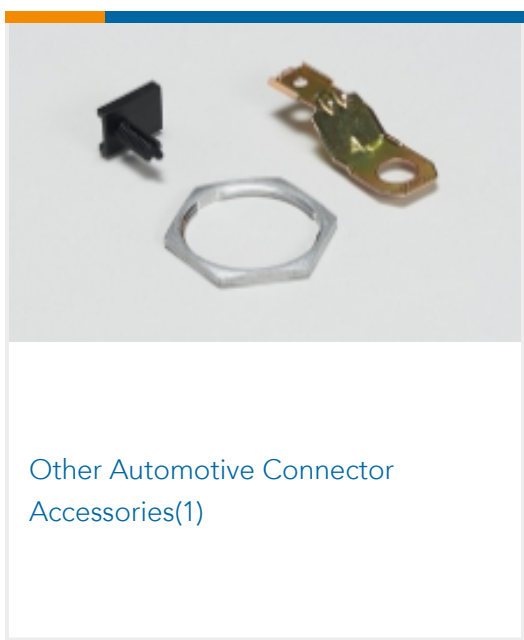
Connector Seals & Cavity Plugs(9)



Insertion & Extraction Tools(8)



Module Components(3)



Other Automotive Connector Accessories(1)

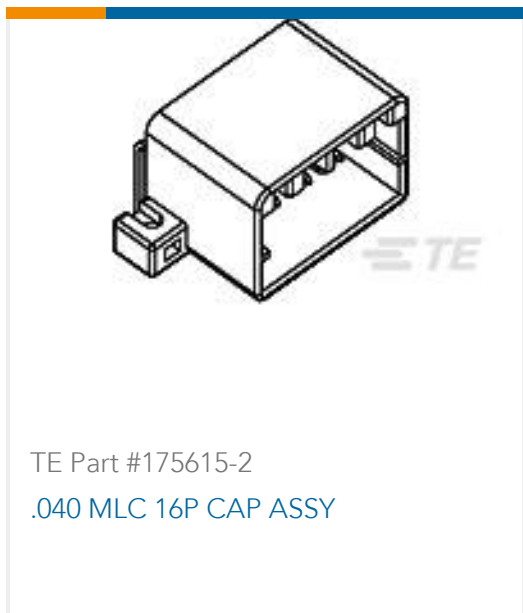
Customers Also Bought



TE Part #282194-1
SPLASH PROOF CONN. W.S.L.



TE Part #1-1355118-1
RETAINER FOR 60POS SOCKET HSG



TE Part #175615-2
.040 MLC 16P CAP ASSY



TE Part #368135-6
040/070 HYB 22P PLUG HSG GRAY



TE Part #1-1534150-1
MQS, CONNECTOR HOUSING



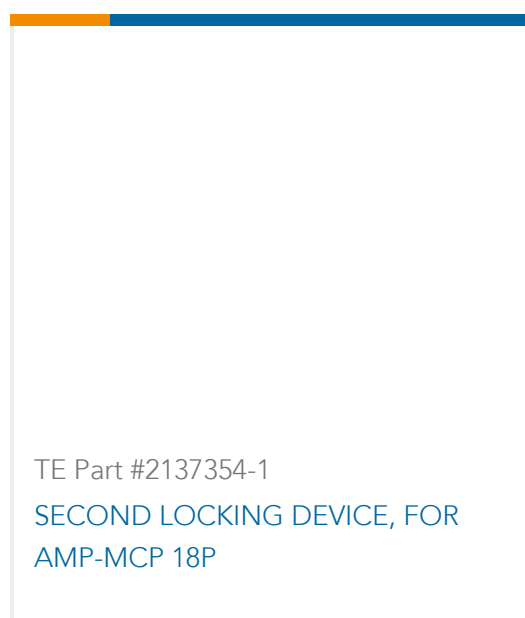
TE Part #776491-1
SOC, SF, SIZE 16, 14-18 AWG, NO INS, AU/SN



TE Part #2177610-1
TAB1.2X0.6, TERMINAL, SWS, CB



TE Part #2385449-1
28POS, HYBRID, TAB HSG ASSY, UNSLD



TE Part #2137354-1
SECOND LOCKING DEVICE, FOR AMP-MCP 18P

Documents

Product Drawings

[SPLASH PROOF CONN 90 VERS](#)

English

CAD Files

[3D PDF](#)

English

Customer View Model

[ENG_CVM_281810-2_D.2d_dxf.zip](#)



English

Customer View Model

[ENG_CVM_281810-2_D.3d_igs.zip](#)

English

Customer View Model

[ENG_CVM_281810-2_D.3d_stp.zip](#)

English

By downloading the CAD file I accept and agree to the [Terms and Conditions](#) of use.

Datasheets & Catalog Pages

Timer Interconnection System

English

Product Specifications

Product Specification

English

2-7-15 WAY SPLASE-PROOF CONNECTORS

English