

4

3

2

1

THIS DRAWING IS UNPUBLISHED.

RELEASED FOR PUBLICATION

20

REVISIONS

© COPYRIGHT 20 BY -

ALL RIGHTS RESERVED.

0,1,3-2005275-3
(3-2005275-3 SUPERSEDES 0-2005275-3)

P	LTR	DESCRIPTION	DATE	DWN	APVD
C2		REVISED (ECR-13-014281)	11SEP2013	JY	HG
C3		REVISED (ECR-18-005962)	19APR2018	YH	YJ
D		REVISED (ECR-19-019508)	06FEB2020	JH	YJ
D1		REVISED (ECR-23-192695)	25OCT2023	YH	KT

Application Panel Size(reference) $t=1.2\sim 1.4$

□T300 BODY-IP CONN. MALE HOUSING ASS'Y

0,3-2005275-3
ISOMETRIC VIEW
SCALE 1:2

1-2005275-3
ISOMETRIC VIEW
SCALE 1:2

NOTE,
 1. GENERAL TOLERANCE : $\pm 0.5, \pm 3^\circ$
 2. CONDITION OF DELIVERY : DBL PLATE IN OPEN POSITION.
 3. APPLIED REC. CONTACT P/N:SEE TABLE I
 4. SUITABLE MATING PLUG P/N : 2005281

NO	FINISH/ COLOR	MATERIAL	DESCRIPTION	Q'TY
8	BLACK	PA66	CLIP HSG	-
7	BLACK	E-PDM	ADHESIVE PAD	-
6	BLACK	PBT-GF20	MNTG CLIP HSG	-
5	GRAY	PA66-GF15	58P BRACKET HSG	-
4	RED	PBT-GF15	58P CPA HSG	1
3	BLACK	PBT-GF15	58P LEVER HSG	1
2	NATURAL	PBT-GF15	58P DBL HSG	1
1-3			58P CAP HSG	1
1-2	GRAY	PBT-GF15	58P CAP HSG	-
1-1			58P CAP HSG	-

TABLE I.

	PART NO.	WIRE SIZE(mm ²)	INSULATION ϕ (mm)
MTIII	964265-2	0.2~0.35	1.15~1.6
MODIFY SPRING	964267-2	0.5~1.0	1.4~2.1
JPT	2-964294-1	0.5~1.0	1.4~2.1
MODIFY SPRING	2-964296-1	1.25~2.5	2.2~3.0
SPT	(C2)964306-1	>1.0~2.5	2.0~3.0
MODIFY SPRING	964308-1	2.5~4.0	3.3~4.5

THIS DRAWING IS A CONTROLLED DOCUMENT.

DIMENSIONS:	TOLERANCES UNLESS OTHERWISE SPECIFIED:
mm	SEE NOTE
	0 PLC \pm
	1 PLC \pm
	2 PLC \pm
	3 PLC \pm
	4 PLC \pm
	ANGLES \pm
	FINISH \pm

DWN
YH MA
CHK
KT LIM
APVD
HG CHO
PRODUCT SPEC

APPLICATION SPEC
411-61048
WEIGHT

CUSTOMER DRAWING

TE Connectivity

NAME
MT III/JPT/SPT HYB 58P CAP ASS'Y

SIZE CAGE CODE DRAWING NO RESTRICTED TO

A3 00779 C-2005275

SCALE 1:1 SHEET 1 OF 3 REV D1

1470-19 (3/13)

THIS DRAWING IS UNPUBLISHED.

RELEASED FOR PUBLICATION

20

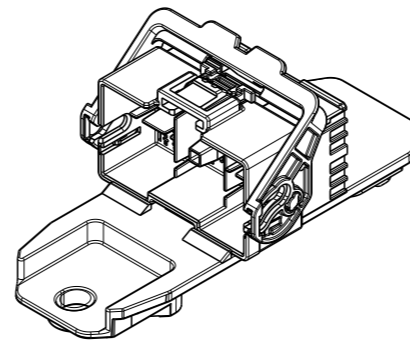
© COPYRIGHT 20 BY -

ALL RIGHTS RESERVED.

REVISIONS

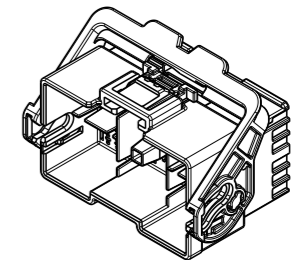
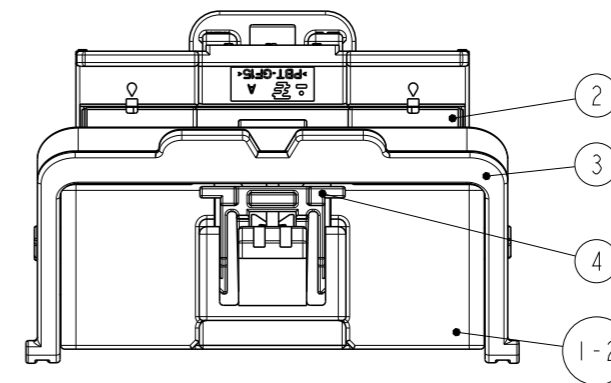
P	LTR	DESCRIPTION	DATE	DWN	APVD
		SEE SHEET 1			

2-2005275-3

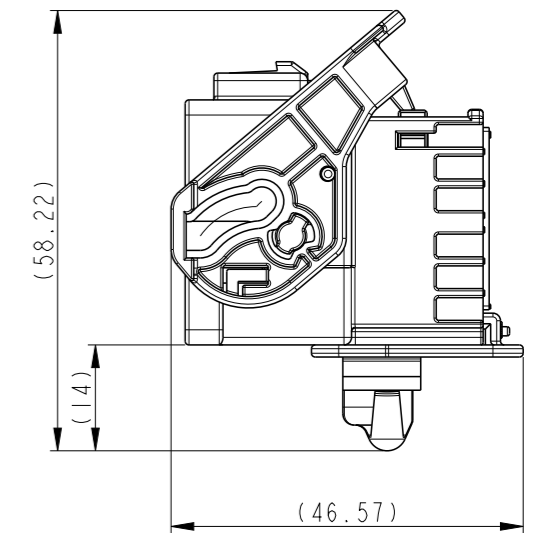
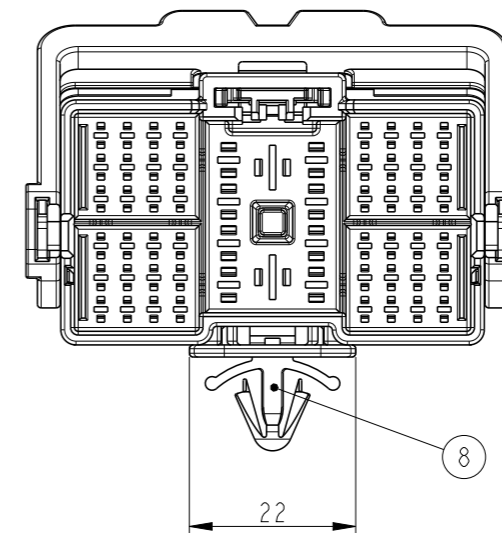
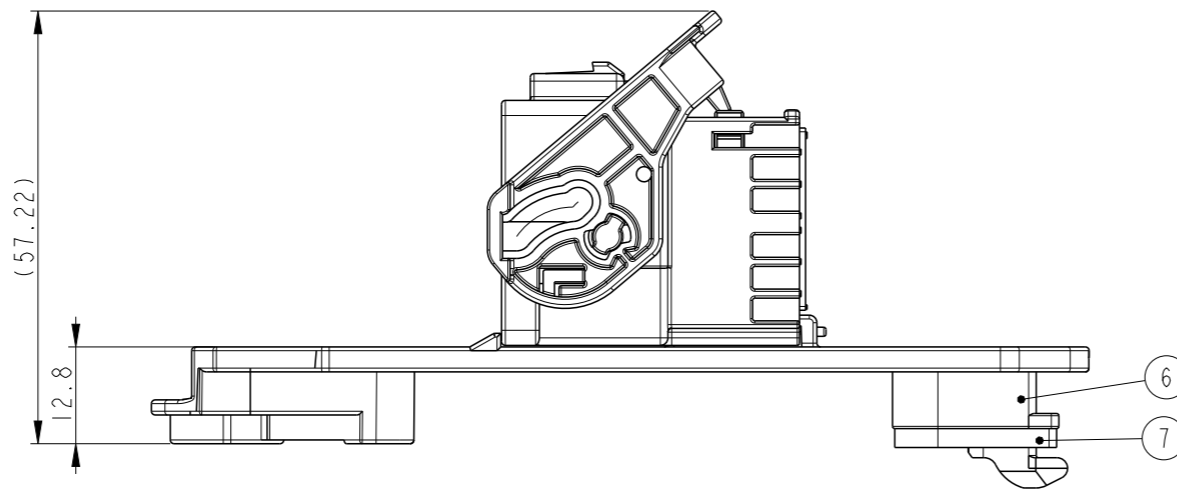
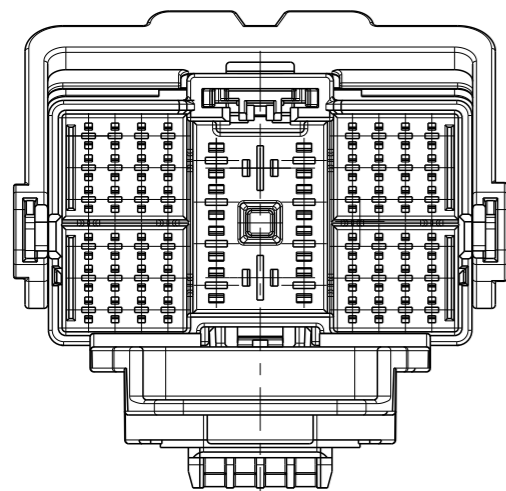
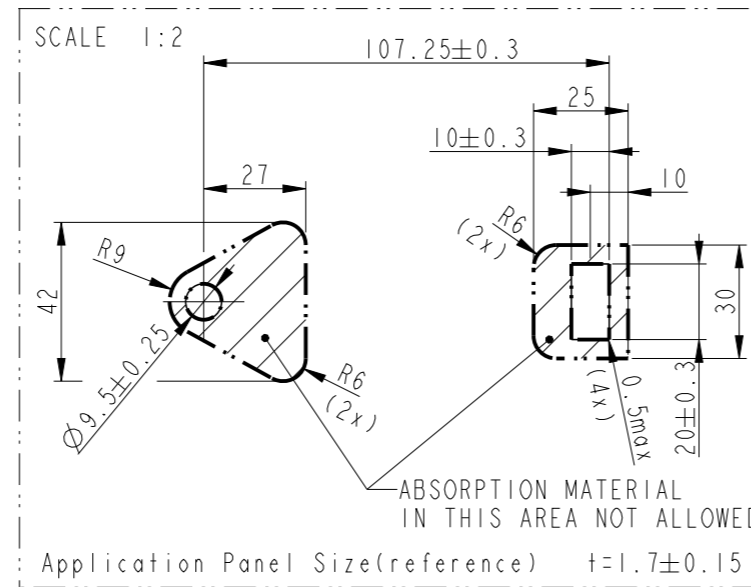
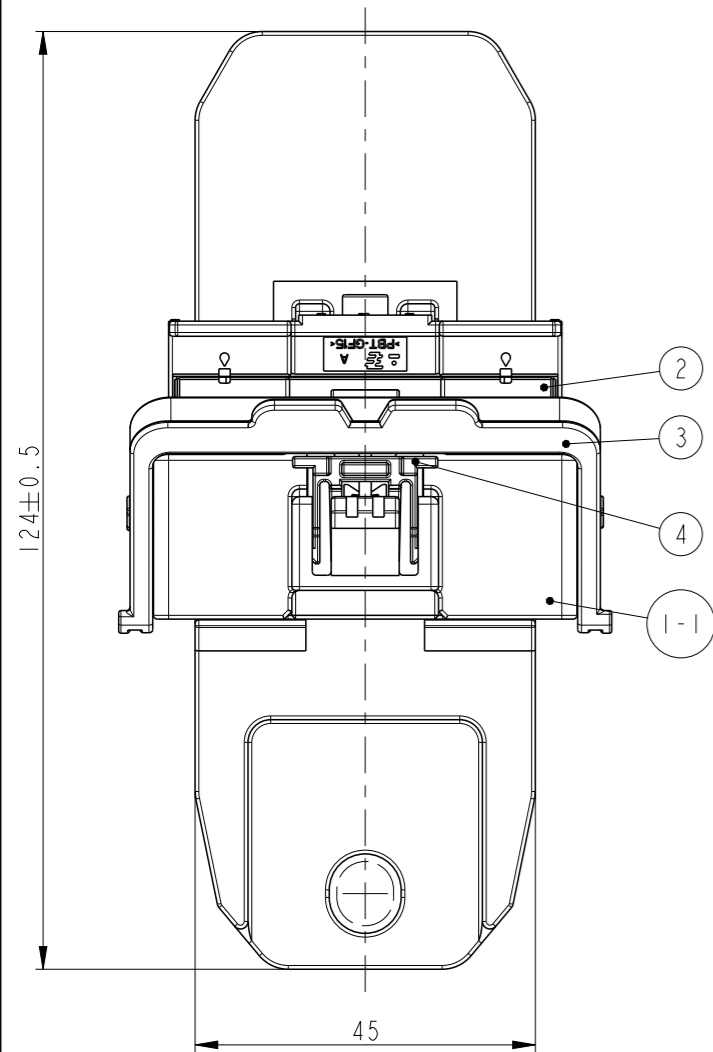


2-2005275-3 ISOMETRIC VIEW SCALE 1:2

4-2005275-3 (SUPERSEDES 2109050-3)



4-2005275-3 ISOMETRIC VIEW SCALE 1:2



THIS DRAWING IS A CONTROLLED DOCUMENT.

DIMENSIONS:		TOLERANCES UNLESS OTHERWISE SPECIFIED:	
mm		SEE NOTE	
	0 PLC		±
	1 PLC		±
	2 PLC		±
	3 PLC		±
	4 PLC		±
	ANGLES		±
MATERIAL		FINISH	

DWN	YH MA
CHK	KT LIM
APVD	HG CHO
PRODUCT SPEC	
APPLICATION SPEC	
WEIGHT	
CUSTOMER DRAWING	



NAME MT III/JPT/SPT HYB 58P CAP ASS'Y

SIZE	CAGE CODE	DRAWING NO	RESTRICTED TO
A3	00779	C-2005275	
SCALE 1:1		SHEET 2 OF 3	REV DI

THIS DRAWING IS UNPUBLISHED.

RELEASED FOR PUBLICATION

20

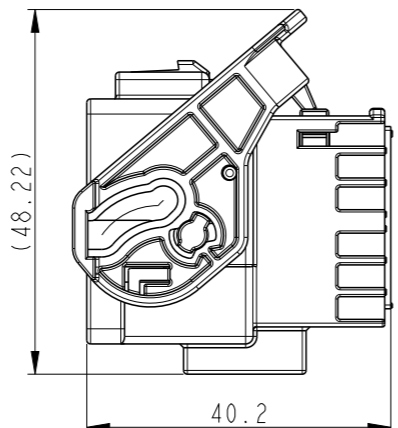
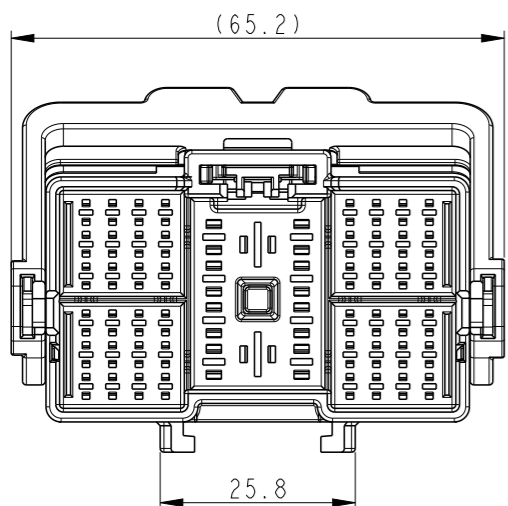
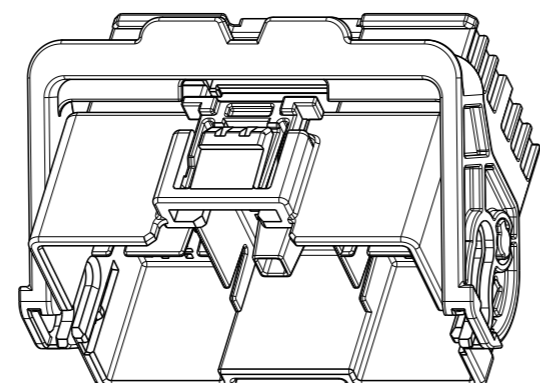
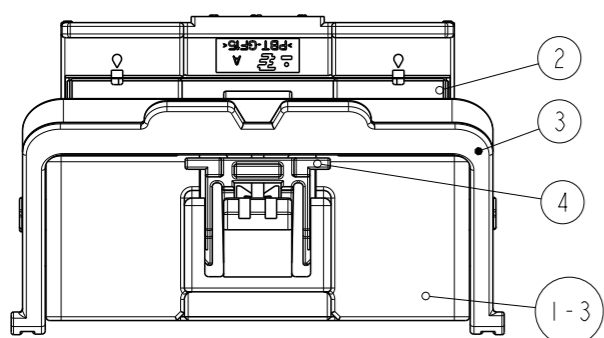
© COPYRIGHT 20 BY -

ALL RIGHTS RESERVED.

REVISIONS

P	LTR	DESCRIPTION	DATE	DWN	APVD
		SEE SHEET 1			

DI 5-2005275-3



- NOTE :
- 1. APPLIED CLIP PART NUMBER : 13514575 (APTIVE)
 - 2. DRAWING NUMBER : 13608550 (APTIVE)

THIS DRAWING IS A CONTROLLED DOCUMENT.

DIMENSIONS: mm	TOLERANCES UNLESS OTHERWISE SPECIFIED: 0 PLC ± 1 PLC ± 2 PLC ± 3 PLC ± 4 PLC ± ANGLES ± FINISH -	SEE NOTE
MATERIAL TBD		

DWN YH MA	-
CHK KT LIM	-
APVD HG CHO	-
PRODUCT SPEC	-
APPLICATION SPEC	-
WEIGHT	-
CUSTOMER DRAWING	-

STE TE Connectivity

NAME: MT III/JPT/SPT HYB 58P CAP ASS'Y

SIZE	CAGE CODE	DRAWING NO	RESTRICTED TO
A3	00779	C-2005275	

SCALE: 1:1 SHEET: 3 OF 3 REV: DI