



AMP

TE Internal #: 5-87124-2

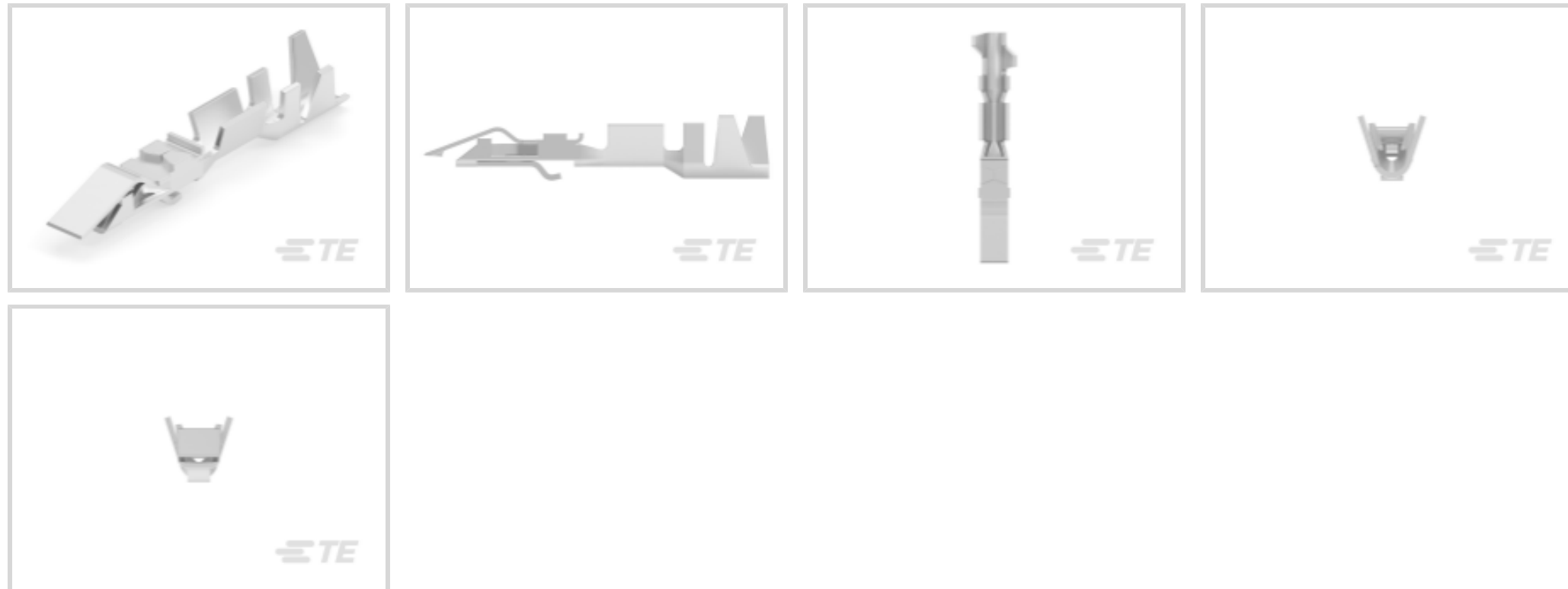
Socket Contact, Tin, 250 VAC, 26 – 22 AWG Wire Size, .12 – .4 mm²

Wire Size, 254.1 – 642.4 CMA Wire Size, Crimp, Phosphor Bronze,

Signal

[View on TE.com >](#)

Connectors > Contacts > Connector Contacts



Contact Type: **Socket**

Contact Mating Area Plating Material: **Tin**

Wire Contact Termination Area Plating Material: **Tin**

Operating Voltage: **250 VAC**

Wire Size: **26 – 22 AWG**

Features

Electrical Characteristics

Termination Resistance	12 mΩ
Insulation Resistance	5000 MΩ
Dielectric Withstanding Voltage (Max)	750 V
Operating Voltage	250 VAC

Contact Features

Mating Square Post Dimension	.64 mm[.025 in]
Contact Shape & Form	Square
Contact Underplating Material	Nickel
PCB Contact Termination Area Plating Material	Tin
Contact Type	Socket
Contact Mating Area Plating Material	Tin
Wire Contact Termination Area Plating Material	Tin
Contact Base Material	Phosphor Bronze
Contact Current Rating (Max)	3 A



Termination Features

Termination Method to Wire & Cable	Crimp
Product Terminates To	Wire & Cable

Mechanical Attachment

Wire Insulation Support	With
-------------------------	------

Dimensions

Compatible Insulation Diameter Range	.97 – 1.57 mm [.038 – .062 in]
Wire Size	254.1 – 642.4 CMA

Usage Conditions

Operating Temperature Range	-65 – 105 °C [-85 – 221 °F]
-----------------------------	-----------------------------

Operation/Application

Circuit Application	Signal
---------------------	--------

Industry Standards

Compatible With Approved Standards Products	CSA LR7189, UL E28476
---	-----------------------

Packaging Features

Packaging Quantity	7000
Packaging Method	Strip

Product Compliance

[For compliance documentation, visit the product page on TE.com>](#)

EU RoHS Directive 2011/65/EU	Compliant
EU ELV Directive 2000/53/EC	Compliant
China RoHS 2 Directive MIIT Order No 32, 2016	No Restricted Materials Above Threshold
EU REACH Regulation (EC) No. 1907/2006	Current ECHA Candidate List: JUNE 2023 (235) Candidate List Declared Against: JUNE 2023 (235) Does not contain REACH SVHC
Halogen Content	Low Halogen - Br, Cl, F, I < 900 ppm per homogenous material. Also BFR/CFR/PVC Free
Solder Process Capability	Not applicable for solder process capability

Product Compliance Disclaimer

This information is provided based on reasonable inquiry of our suppliers and represents our current actual knowledge based on the information they provided. This information is subject to change. The part numbers that TE has identified as EU RoHS compliant have a maximum concentration of 0.1% by weight in homogenous materials for lead, hexavalent chromium, mercury, PBB, PBDE, DBP, BBP, DEHP, DIBP, and 0.01% for cadmium, or qualify for an exemption to these limits as defined in the Annexes of Directive 2011/65/EU (RoHS2). Finished electrical and electronic equipment products will be CE marked as required by Directive 2011/65/EU. Components may not be CE marked. Additionally, the part numbers that TE has identified as EU ELV compliant have a maximum concentration of 0.1% by weight in homogenous materials for lead, hexavalent chromium, and mercury, and 0.01% for cadmium, or qualify for an exemption to these limits as defined in the Annexes of Directive 2000/53/EC (ELV). Regarding the REACH Regulation, the information TE provides on SVHC in articles for this part number is based on the latest European Chemicals Agency (ECHA) 'Guidance on requirements for substances in articles' posted at this URL: <https://echa.europa.eu/guidance-documents/guidance-on-reach>

Compatible Parts



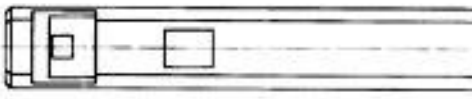
TE Part # 87175-2
01 LOCKING CLIP HSG SR .100CL



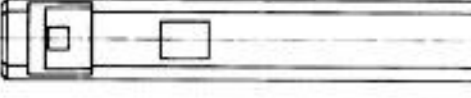
TE Part # 87133-1
04 LOCKING CLIP HSG DR .100CL



TE Part # 926657-6
LOCKING CLIP HSG



TE Part # 926657-3
3P LOCKG CLIP GEH



TE Part # 926657-4
LOCKING CLIP HSG



TE Part # 1-87175-0
04 LOCKING CLIP HSG SR .100CL



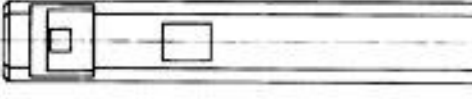
TE Part # 926209-3
LOCKING CLIP HSG.



TE Part # 1-87175-7
08 LOCKING CLIP HSG SR MRKD



TE Part # 87133-9
08 LOCKING CLIP HSG DR .100CL



TE Part # 926010-1
LOCKING CLIP HSG



TE Part # 1-87175-2
05 LOCKING CLIP HSG SR .100CL



TE Part # 87133-2
10 LOCKING CLIP HSG DR .100CL



TE Part # 926209-5
LOCKING CLIP HSG.



TE Part # 1-87133-1
12 LOCKING CLIP HSG DR .100CL



TE Part # 1-87175-3
06 LOCKING CLIP HSG SR MRKD



TE Part # 1-87175-4
06 LOCKING CLIP HSG SR .100CL



TE Part # 1-87175-6
07 LOCKING CLIP HSG SR .100CL



TE Part # 1-87175-8
08 LOCKING CLIP HSG SR .100CL



TE Part # 2-87175-2
10 LOCKING CLIP HSG SR .100CL



TE Part # 926209-4
2X4P LOCK-CLIP GEH

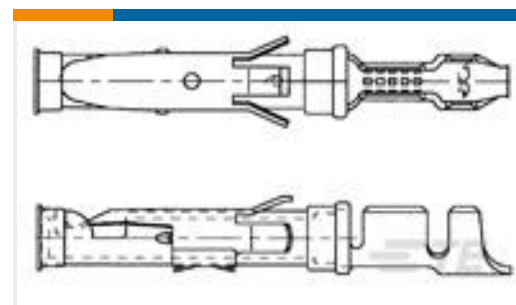
Customers Also Bought



TE Part #87175-2
01 LOCKING CLIP HSG SR .100CL



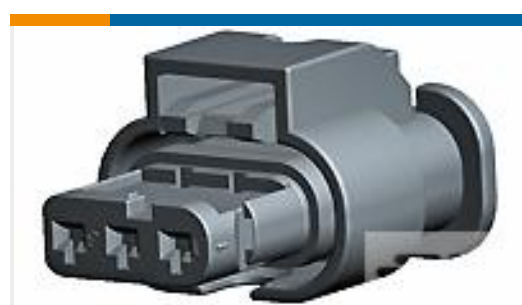
TE Part #5520243-4
MJ,R/A,FLANGE,8P/8C,BULK PAC



TE Part #163087-1
.062 DIA SOC.ASS.3+



TE Part #2834313-2
4.0PITCH ITB CONN_2P_WO
CAP_NATURAL



TE Part #2-1670917-1
3POS, MCON 1.2 LL REC SEALED



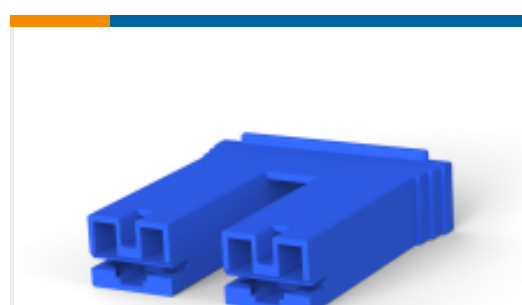
TE Part #826652-3
3P AMPMODU II STIFT LEI



TE Part #2005510-2
SQUIB AK2 PLUG HSG1



TE Part #4-520935-2
PL 250 HOUSING REC RED



TE Part #4-520935-3
250 HSG. PL MKII REC. 15.11mm 2P
BLUE

Documents

Product Drawings

[LOCKING CLIP CONT ASY .025 SQ](#)

English

CAD Files

[Customer View Model](#)

[ENG_CVM_5-87124-2_S.3d_igs.zip](#)

English

[Customer View Model](#)



[ENG_CVM_5-87124-2_S.3d_stp.zip](#)

English

Customer View Model

[ENG_CVM_5-87124-2_S.2d_dxf.zip](#)

English

3D PDF

English

3D PDF

3D

Customer View Model

[ENG_CVM_CVM_5-87124-2_AB.2d_dxf.zip](#)

English

Customer View Model

[ENG_CVM_CVM_5-87124-2_AB.3d_igs.zip](#)

English

Customer View Model

[ENG_CVM_CVM_5-87124-2_AB.3d_stp.zip](#)

English

By downloading the CAD file I accept and agree to the [Terms and Conditions](#) of use.

Datasheets & Catalog Pages

[AMPMODU_INTERCONNECTION_SYSTEM_SECTION5_CONT](#)

English

Product Specifications

[Application Specification](#)

English