



MULTI-BEAM

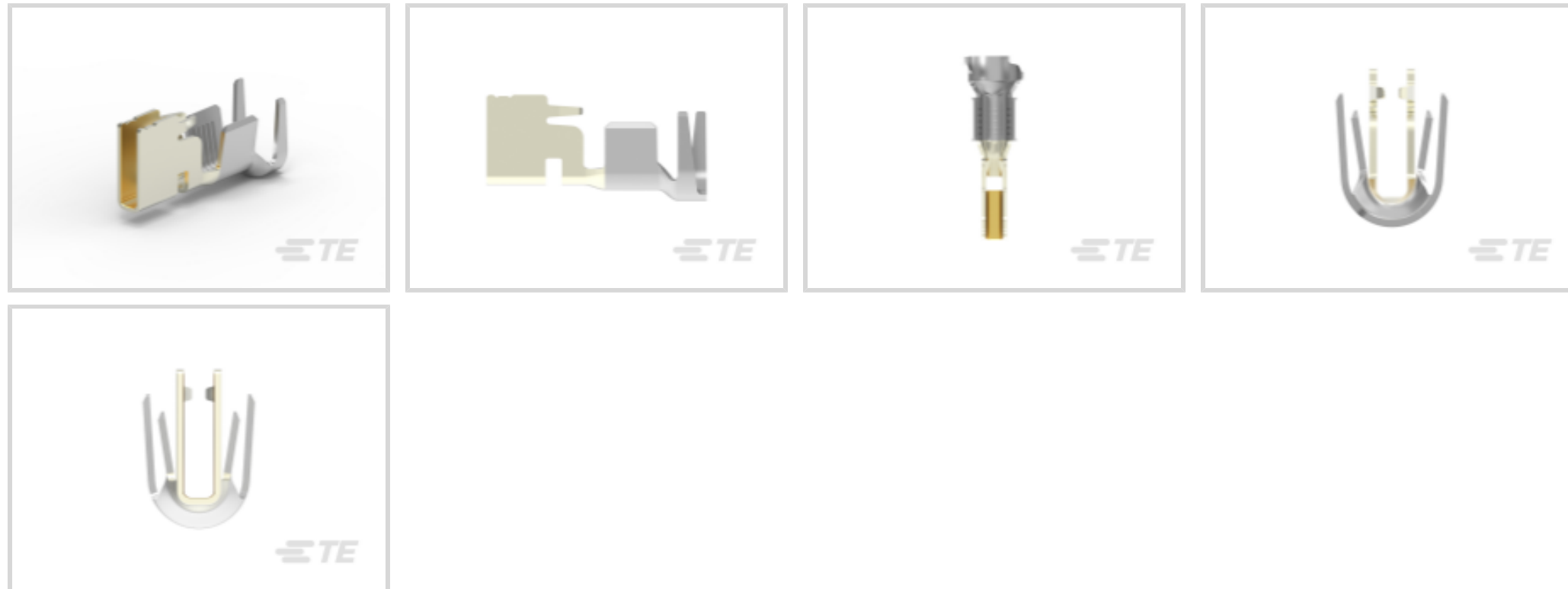
TE Internal #: 1-1600960-8

Receptacle Contact, Gold, 60 VAC / 300 VAC, 60 VDC / 300 VDC,
10 – 8 AWG Wire Size, 5 – 8 mm² Wire Size, 10382 – 16507 CMA

Wire Size, Crimp

[View on TE.com >](#)

Connectors > Contacts > Connector Contacts



Contact Type: **Receptacle**

Contact Mating Area Plating Material: **Gold**

Wire Contact Termination Area Plating Material: **Tin**

Operating Voltage: **60 VDC, 300 VDC**

Features

Product Type Features

Sealable	No
----------	----

Electrical Characteristics

Operating Voltage	60 VDC, 300 VDC
-------------------	-----------------

Contact Features

Contact Underplating Material Thickness	50 – 100 µm[50 – 100 µin]
Wire Contact Termination Area Plating Thickness	1.27 – 2.54 µm[50 – 100 µin]
Wire Contact Termination Area Plating Material Finish	Matte
Contact Mating Area Plating Material Thickness	.76 µm[30 µin]
Contact Orientation	Straight
Contact Underplating Material	Nickel
Barrel Type	Open
Contact Type	Receptacle
Contact Mating Area Plating Material	Gold
Wire Contact Termination Area Plating Material	Tin
Contact Retention Within Housing	Without



Contact Base Material	Copper Alloy
-----------------------	--------------

Contact Current Rating (Max)	42 A
------------------------------	------

Termination Features

Termination Method to Wire & Cable	Crimp
------------------------------------	-------

Product Terminates To	Wire & Cable
-----------------------	--------------

Mechanical Attachment

Wire Insulation Support	With
-------------------------	------

Dimensions

Compatible Insulation Diameter Range	4.4 – 6.9 mm [.176 – .272 in]
--------------------------------------	-------------------------------

Wire Size	10382 – 16507 CMA
-----------	-------------------

Usage Conditions

Operating Temperature Range	-55 – 105 °C [-67 – 221 °F]
-----------------------------	-----------------------------

Operation/Application

Circuit Application	Power
---------------------	-------

Packaging Features

Packaging Quantity	1000
--------------------	------

Packaging Method	Reel
------------------	------

Product Compliance

[For compliance documentation, visit the product page on TE.com>](#)

EU RoHS Directive 2011/65/EU	Compliant
------------------------------	-----------

EU ELV Directive 2000/53/EC	Compliant
-----------------------------	-----------

China RoHS 2 Directive MIIT Order No 32, 2016	No Restricted Materials Above Threshold
---	---

EU REACH Regulation (EC) No. 1907/2006	Current ECHA Candidate List: JUNE 2023 (235) Candidate List Declared Against: JUNE 2023 (235) Does not contain REACH SVHC
--	---

Halogen Content	Low Halogen - Br, Cl, F, I < 900 ppm per homogenous material. Also BFR/CFR/PVC Free
-----------------	---

Solder Process Capability	Not applicable for solder process capability
---------------------------	--

Product Compliance Disclaimer



This information is provided based on reasonable inquiry of our suppliers and represents our current actual knowledge based on the information they provided. This information is subject to change. The part numbers that TE has identified as EU RoHS compliant have a maximum concentration of 0.1% by weight in homogenous materials for lead, hexavalent chromium, mercury, PBB, PBDE, DBP, BBP, DEHP, DIBP, and 0.01% for cadmium, or qualify for an exemption to these limits as defined in the Annexes of Directive 2011/65/EU (RoHS2). Finished electrical and electronic equipment products will be CE marked as required by Directive 2011/65/EU. Components may not be CE marked. Additionally, the part numbers that TE has identified as EU ELV compliant have a maximum concentration of 0.1% by weight in homogenous materials for lead, hexavalent chromium, and mercury, and 0.01% for cadmium, or qualify for an exemption to these limits as defined in the Annexes of Directive 2000/53/EC (ELV). Regarding the REACH Regulation, the information TE provides on SVHC in articles for this part number is based on the latest European Chemicals Agency (ECHA) 'Guidance on requirements for substances in articles' posted at this URL: <https://echa.europa.eu/guidance-documents/guidance-on-reach>

Compatible Parts



TE Part # 1385638-1
HDM SAPR176F2200 LM



TE Part # 1385638-2
HDM SAPR176F2200 K



TE Part # 1385638-3
HDM SAPR176F2200 G

TE Part # 1761386-3
CONT PLUG 12-14AWG MULTI BEAM



TE Part # 1-1600238-0
STR W/KEYS,MBXL, 24S

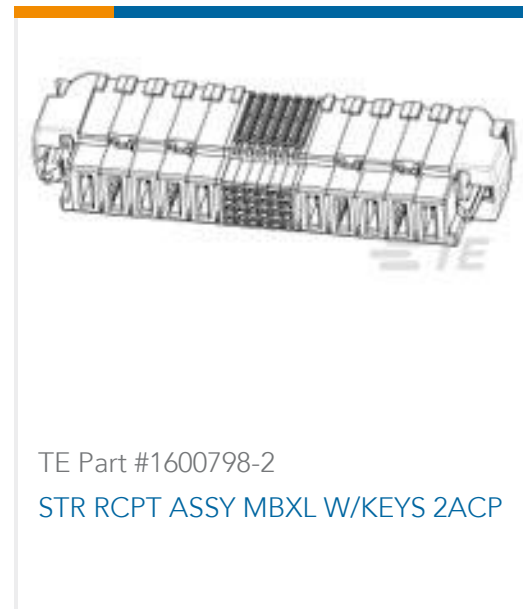
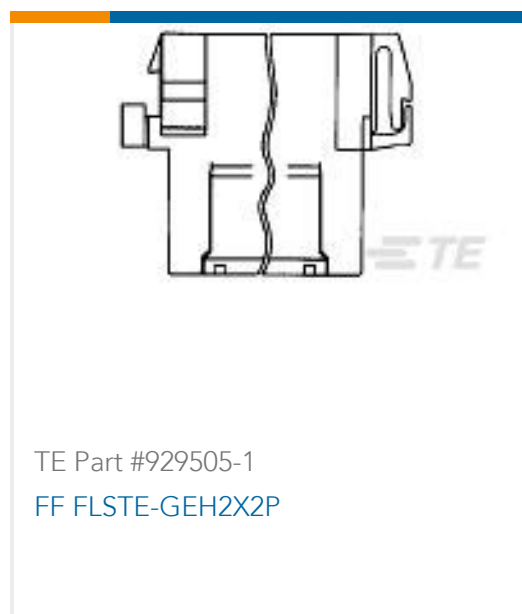
TE Part # 6-1892820-0
SQUE REL REC ASSY W/K, 2ACP12S2ACP

TE Part # 8-1892820-1
SQUE REL REC ASSY W/K,8P

TE Part # 8-2204973-2
SQUE REL REC ASSY W/K,2ACP/24S /2ACP

TE Part # 1600960-1
CONT 8-10AWG PWR BLANK STRIP

Customers Also Bought



Documents

CAD Files

3D PDF

3D

Customer View Model

[ENG_CVM_CVM_1-1600960-8_D1.2d_dxf.zip](#)

English

Customer View Model

[ENG_CVM_CVM_1-1600960-8_D1.3d_igs.zip](#)

English

Customer View Model

[ENG_CVM_CVM_1-1600960-8_D1.3d_stp.zip](#)

English

By downloading the CAD file I accept and agree to the [Terms and Conditions](#) of use.

Datasheets & Catalog Pages

[POWER_CONNECTORS_CATALOG_SEC01_BOARD_TO_BOARD](#)

English

Product Specifications

1-1600960-8

Receptacle Contact, Gold, 60 VAC / 300 VAC, 60 VDC / 300 VDC, 10 – 8 AWG Wire Size, 5 – 8 mm² Wire Size, 10382 – 16507 CMA Wire Size, Crimp



Application Specification

English