



■ ELECTRICAL SPECIFICATION

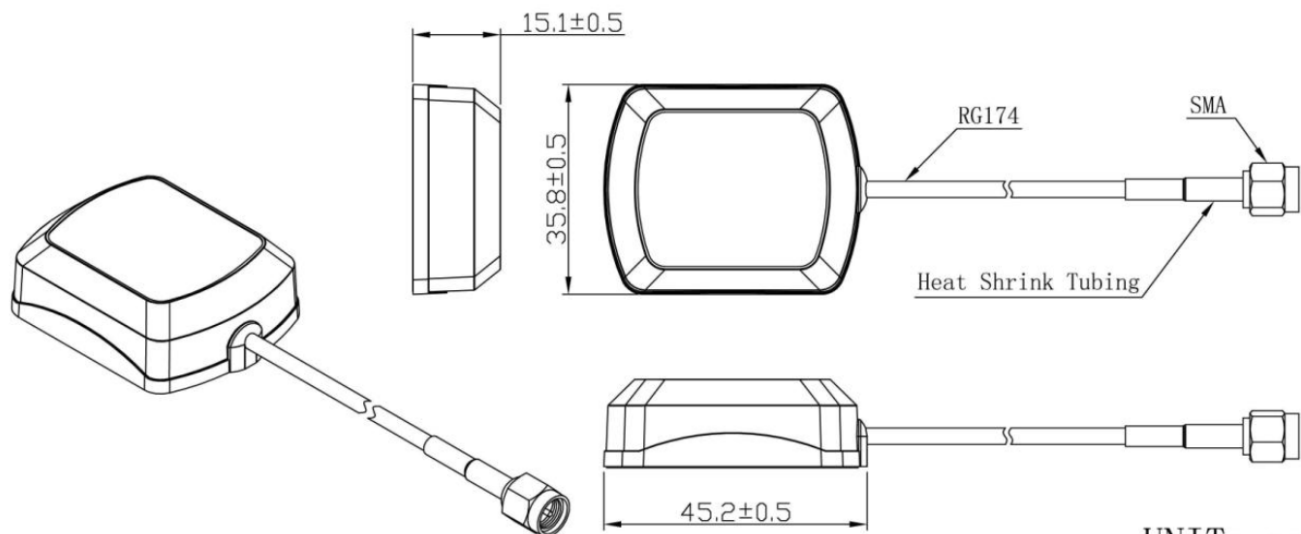
ANTENNA

PARAMETERS		VALUE	UNIT
Center Frequency		1575.42 ±3	MHz
Band Width		CF±5	MHz
Polarization		RHCP	-
Gain (Zenith)		2.0	dBic
VSWR, max		1.5	-
Impedance		50	Ω
Axial Ratio, max		3	dB
Dimension		25x25x4	mm
Connector		SMA Male	-
Radome Material		ABS	-
Mounting Way		Magnet	-
Cable	Type	RG174	-
	Length	3000	mm
Operating Temperature Range		-40 ~ +85	°C
Relative Humidity, max		95	%
IP Rating		IP67	-
Vibration (1.5 mm Amplitude 2Hours)		10 ~ 55	Hz
RoHS Compliant		YES	-

LNA

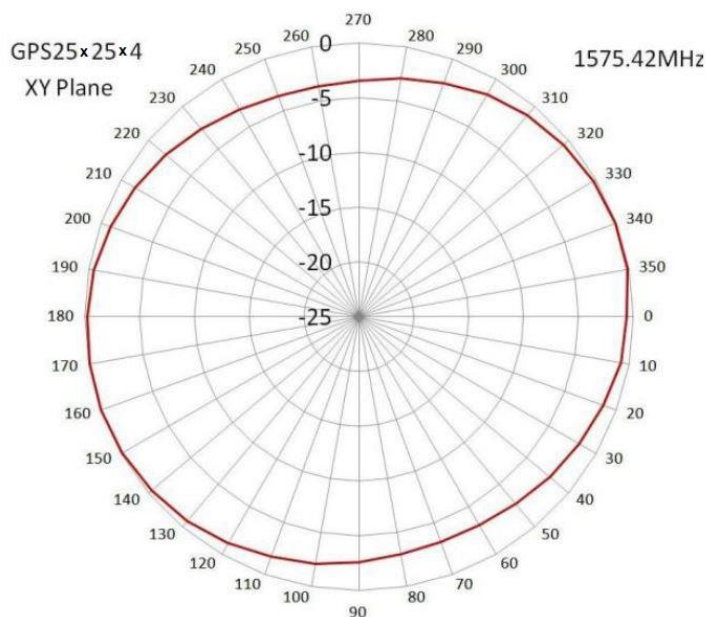
PARAMETERS		VALUE	UNIT
VSWR, max		2.0	-
Supply Voltage		2.2 ~ 5	VDC
Gain		28 ± 2	dB
Noise Figure, max		1.5	dB
Current Consumption, max		15	mA

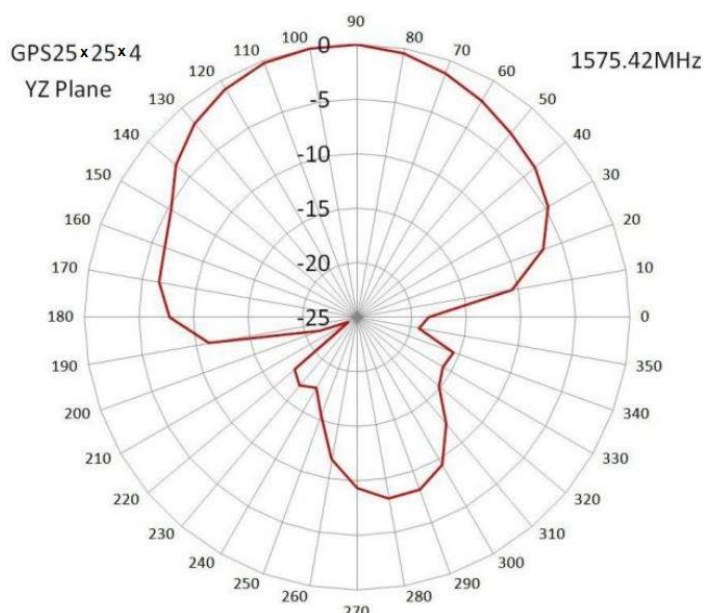
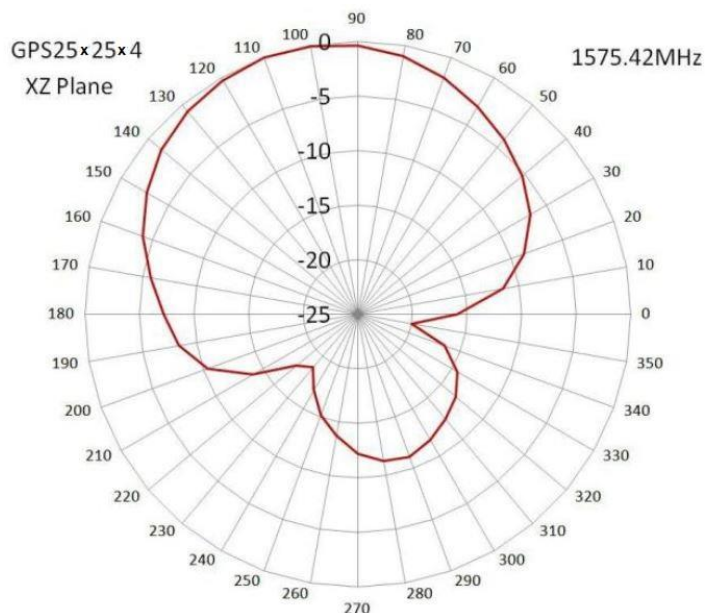
■ DIMENSIONS



UNIT: mm

■ RADIATION PATTERN





ENVIRONMENTAL

PARAMETER	VALUE
RoHS	Compliant
REACH SVHC	Compliant
HALOGEN-FREE	Compliant



APPROVAL

RALTRON	
DRAWN BY:	AR, July 13, 2022
APPROVED BY:	CP, July 13, 2022
REVISION:	A, Initial Release

Raltron Electronics / RAMI Technology USA, LLC, including its affiliates, employees, agents and other persons acting on its behalf (collectively Raltron/RAMI Tech), disclaim any and all liability for any errors or inaccuracies contained in this data sheet. While Raltron/RAMI Tech has made every reasonable effort ensure the accuracy of all product information, specifications and data contained herein, Raltron/RAMI Tech does not guarantee that the information is accurate, reliable or current. The product information is provided only for reference purposes only and is subject to change, correction or revision, at any time without notice. Raltron/RAMI Tech does not assume any liability arising out of an application or use of any product described herein and disclaims any warranties expressed or implied. The user of products in such applications shall assume all risks of such use and will agree to hold Raltron/RAMI Tech, harmless against all damages.

Copyright © 2016, Raltron Electronics / RAMI Technology USA, LLC. All rights reserved. No part of this document may be reproduced in any form without the prior written permission of Raltron Electronics / RAMI Technology USA, LLC.