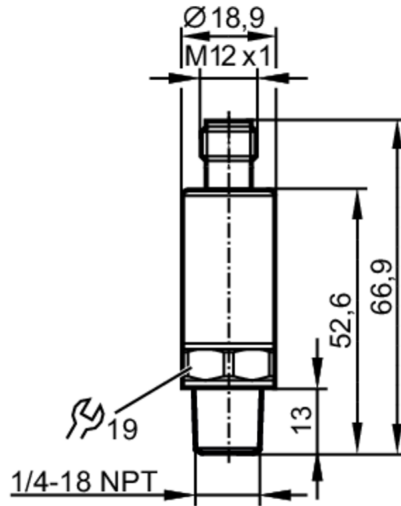


# PT2432



## Pressure transmitter

PT-300PSEN14-A-ZVG/US/ IW



| Product characteristics                        |  |
|--|--|
| Number of inputs and outputs                   | Number of analogue outputs: 1                |
| Measuring range [psi]                          | 0...3000                                     |
| Process connection                             | threaded connection 1/4" NPT external thread |
| Application                                    |  |
| Application                                    | for industrial applications                  |
| Media  | liquids and gases                            |
| Medium temperature [°C]                        | -40...90                                     |
| Min. bursting pressure [psi]                   | 14500  |
| Pressure rating [psi]                          | 7250   |
| Note on pressure rating                        | static                                       |
| Vacuum resistance [psi]                        | -14.5  |
| Type of pressure                               | relative pressure                            |
| MAWP (for applications according to CRN) [psi] | 7250   |
| Electrical data                                |  |
| Operating voltage [V]                          | 8.5...36 DC                                  |
| Min. insulation resistance [MΩ]                | 100; (500 V DC)                              |
| Protection class                               | III  |
| Reverse polarity protection                    | yes  |
| Power-on delay time [s]                        | < 0.1  |
| Inputs / outputs                               |  |
| Number of inputs and outputs                   | Number of analogue outputs: 1                |
| Outputs  |  |
| Total number of outputs                        | 1  |
| Output signal                                  | analogue signal                              |

# PT2432



## Pressure transmitter

PT-300PSEN14-A-ZVG/US/ IW

|                              |   |
|------------------------------|---|
| Number of analogue outputs   | 1   |
| Analogue current output [mA] | 4...20  |
| Max. load [ $\Omega$ ]       | $(U_b - 8,5 \text{ V}) / 21,5 \text{ mA}$ ; @8,5V= 0 $\Omega$ ; @12V max. 160 $\Omega$ ; @24V max. 720 $\Omega$ |
| Short-circuit proof          | yes   |
| Overload protection          | yes   |

### Measuring/setting range

|                       |          |
|-----------------------|----------|
| Measuring range [psi] | 0...3000 |
|-----------------------|----------|

### Accuracy / deviations

|  |  |
|--|--|
| Repeatability [% of the span]                                      | $< \pm 0,05$ ; (with temperature fluctuations $< 10 \text{ K}$ )                                     |
| Characteristics deviation [% of the span]                          | $< \pm 0,5$ ; (incl. drift when overtightened, zero point and span error, non-linearity, hysteresis) |
| Linearity deviation [% of the span]                                | $< \pm 0,1$ (BFSL) / $< \pm 0,2$ (LS)  |
| Hysteresis deviation [% of the span]                               | $< \pm 0,2$  |
| Long-term stability [% of the span]                                | $< \pm 0,1$ ; (per 6 months)   |
| Temperature coefficient zero point and span [% of the span / 10 K] | $< 0,1$ ( $-25...90 \text{ }^\circ\text{C}$ ) / $< 0,2$ ( $-40...-25 \text{ }^\circ\text{C}$ )       |

### Response times

|   |   |
|---|---|
| Step response time analogue output [ms] | 1 |
|---|---|

### Operating conditions

|  |               |
|--|---------------|
| Ambient temperature [ $^\circ\text{C}$ ] | -40...90      |
| Storage temperature [ $^\circ\text{C}$ ] | -40...100     |
| Protection                               | IP 67; IP 69K |

### Tests / approvals

|                              |   |                     |
|------------------------------|---|---------------------|
| EMC                          | DIN EN 61000-6-2  |                     |
|                              | DIN EN 61000-6-3  |                     |
| Shock resistance             | DIN EN 60068-2-27   | 50 g (11 ms)        |
| Vibration resistance         | DIN EN 60068-2-6  | 20 g (10...2000 Hz) |
| MTTF [years]                 |   | 784                 |
| Pressure Equipment Directive | Sound engineering practice; can be used for group 2 fluids; group 1 fluids on request |                     |

### Mechanical data

|                               |  |
|-------------------------------|--|
| Weight [g]                    | 60.3   |
| Materials                     | 1.4542 (17-4 PH / 630); stainless steel (1.4404 / 316L); PEI                               |
| Materials (wetted parts)      | 1.4542 (17-4 PH / 630)   |
| Min. pressure cycles          | 60 million; (at 1.2 times nominal pressure)  |
| Tightening torque [Nm]        | $< 50$ ; (recommended tightening torque; depends on lubrication, seal and pressure rating) |
| Process connection            | threaded connection 1/4" NPT external thread   |
| Restrictor element integrated | no (can be retrofitted)  |

### Remarks

|         |   |
|---------|---|
| Remarks | BFSL = Best Fit Straight Line<br>LS = limit value setting |
|---------|---|

# PT2432



## Pressure transmitter

PT-300PSEN14-A-ZVG/US/ IW

Pack quantity

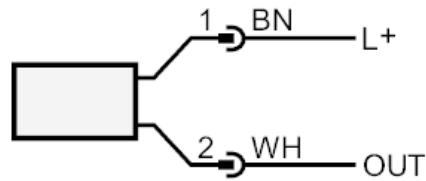
1 pcs.

### Electrical connection

Connector: 1 x M12; coding: A



### Connection



OUT            analogue output  
                 colours to DIN EN 60947-5-2  
                 Core colours :  
BN =            brown  
WH =            white