


FEATURES

- 1 and 2 Pole Contact Forms
- 12 & 20 Amp Switching Capacity
- AC & DC Coils Available
- Available as Plug-In or PC Pins
- Available with Gold Plated Contacts
- Available with Top Mounting Flange
- Available Compatible with SC113 Series Socket


UL / CUL Ratings

Contact Form	1 Form C, SPDT	
Rated Load	Voltage	Amps
General Purpose, 6K cycles, 40°C	277VAC	20A
General Purpose, 6K cycles, 40°C	28VDC	20A

Contact Form	2 Form C, DPDT	
Rated Load	Voltage	Amps
General Purpose, 6K cycles, 40°C	250VAC	12A
General Purpose, 6K cycles, 40°C	277VAC	10A
General Purpose, 6K cycles, 40°C	28VDC	12A
Motor Load	125vac	1/2hp

CHARACTERISTICS

Insulation Resistance	100MΩ min. at 500 VDC
Dielectric Strength	1500V rms, between coil & contacts 1000V rms, between open contacts 1000V rms, between poles
Power Consumption	.9W, 1.2VA
Terminal Strength	8N QC; 4N PCB
Solderability	260°C 5 s ± 0.5 s
Operating Temperature	-40°C to 85°C
Storage Temperature	-40°C to 155°C
Shock Resistance	100 m/s ² 11 ms
Vibration Resistance	10-40 Hz double amplitude 1.27mm
Weight	~50g

CONTACT DATA

Maximum Switching Power	560W, 5540VA
Maximum Switching Voltage	48VDC, 300VAC
Maximum Switching Current	20A
Material	AgCdO
Initial Contact Resistance	50 mΩ max.
Service Life	Mechanical 1 x 10 ⁷ operations
	Electrical 1 x 10 ⁵ operations

Values can change due to the switching frequency, desired reliability levels, environmental conditions, and in-rush current levels. It is recommended to test to actual load conditions for the application. It is the users responsibility to determine the performance suitability for their specific application. The use of any coil voltage less than the rated coil voltage may compromise the operation of the relay.

ORDERING INFORMATION

Example Model:	PC113	-2C	-P	-C1	-120A	-LD	-X
Contact Form:	1A 1C 2A 2C						
Terminal Type:	Nil = Solder Lug P = PC Pin						
Case Type:	Nil = Plain Case C1 = Flange Mount Case						
Coil:	12A = 12VAC 24A = 24VAC 36A = 36VAC 48A = 48VAC 120A = 120VAC 220A = 220VAC 240A = 240VAC 12D = 12VDC 24D = 24VDC 36D = 36VDC 48D = 48VDC 110D = 110VDC 220D = 220VDC						
Options*:	Nil = None G = Gold Plated Contacts L = LED Indicator D = Internal Diode						
RoHS Compliant:	X = RoHS Compliant						

*May select multiple options

COIL DATA - DC Coil Power

Coil Voltage		Resistance (Ohms ± 10%)	Pick Up Voltage Max. VDC	Release Voltage Min. VDC	Coil Power W	Operate Time ms	Release Time ms
Rated	Maximum						
12	15.6	160	9.0	1.2	.9	25	25
24	31.2	650	18.0	2.4			
36	46.8	1500	27.0	3.6			
48	62.4	2600	36.0	4.8			
110	143.0	11000	82.5	11.0			
220	286.0	53778	165.0	22.0			

COIL DATA - AC Coil Power

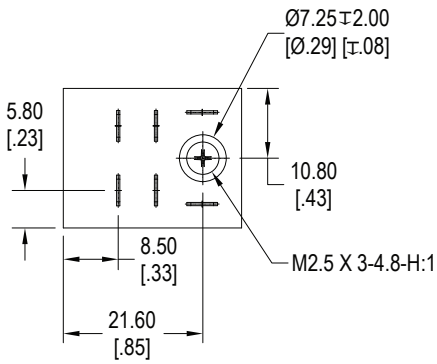
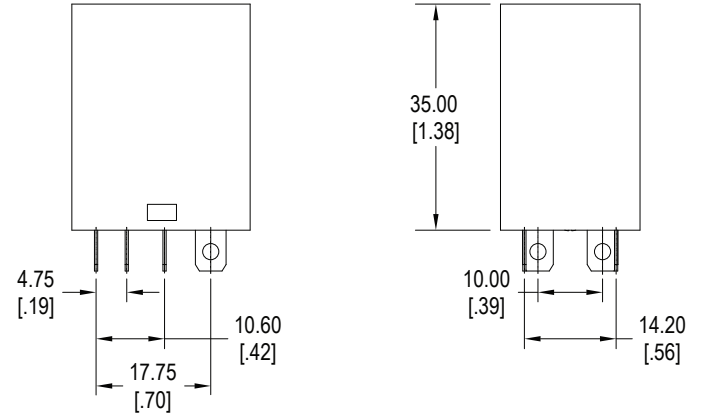
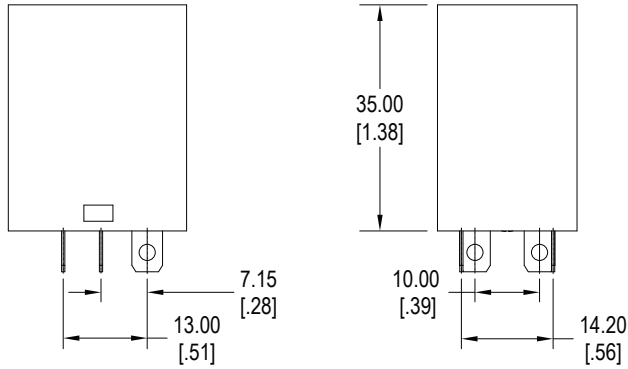
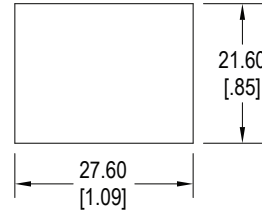
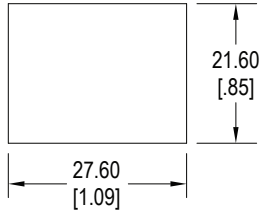
Coil Voltage		Resistance (Ohms ± 10%)	Pick Up Voltage Max. VAC	Release Voltage Min. VAC	Coil Power VA	Operate Time ms	Release Time ms
Rated	Maximum						
12	15.6	46	9.6	3.6	1.2	25	25
24	31.2	184	19.2	7.2			
36	46.8	370	28.8	10.8			
48	62.4	735	38.4	14.4			
120	156.0	4550	96.0	36.0			
220	286.0	14400	176.0	66.0			
240	312.0	19000	192.0	72.0			



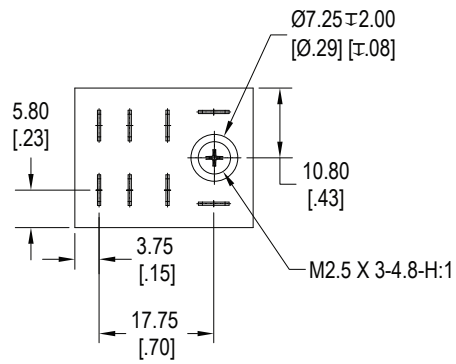
20550 Commerce Blvd, Rogers, MN 55374 USA
Sales (763) 535-2339

www.PickerComponents.com
email: sales@PickerComponents.com

DIMENSIONS mm (inches)

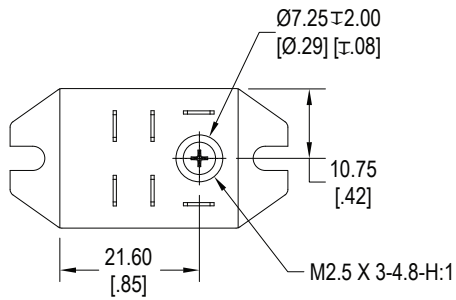
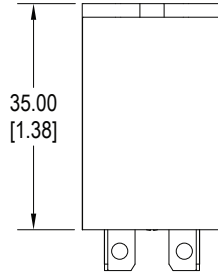
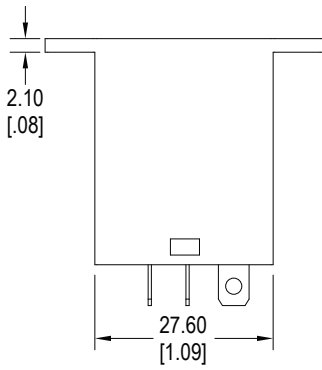
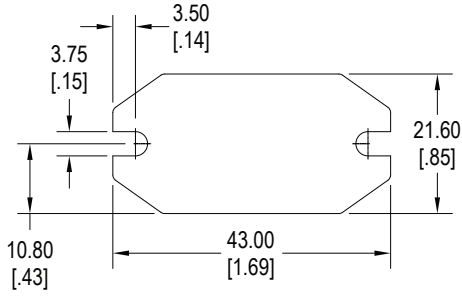


1A / 2A Solder Lug, Standard



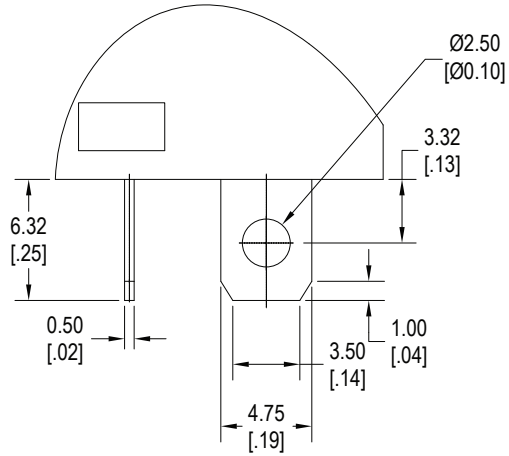
1C / 2C Solder Lug, Standard

DIMENSIONS mm (inches)

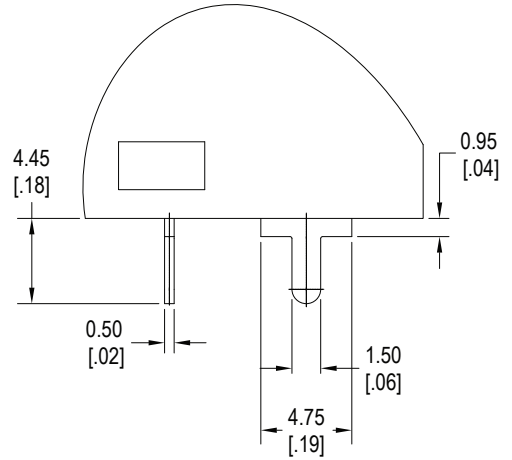


Flange Option

TERMINATION OPTIONS

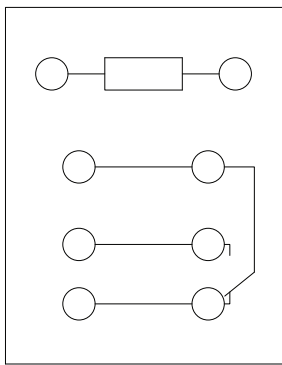


Solder Lug, Standard

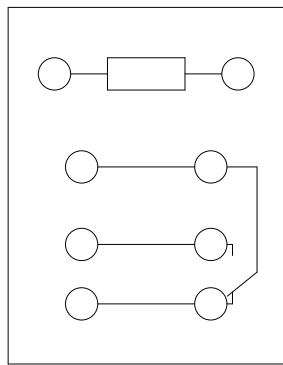


PC Pin

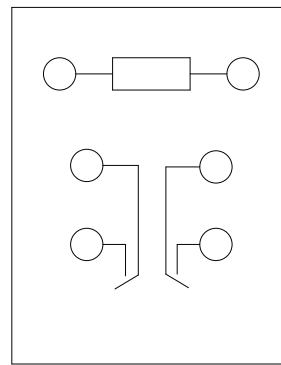
SCHEMATICS & PC LAYOUT *Bottom Views*



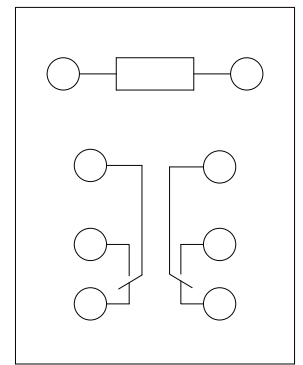
1A



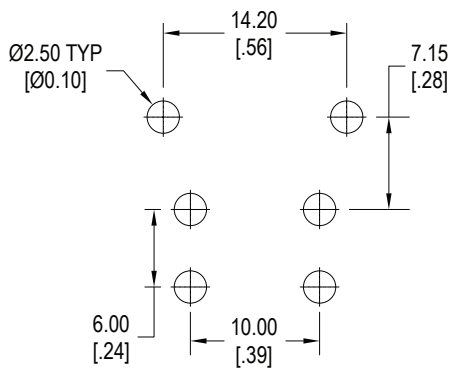
1C



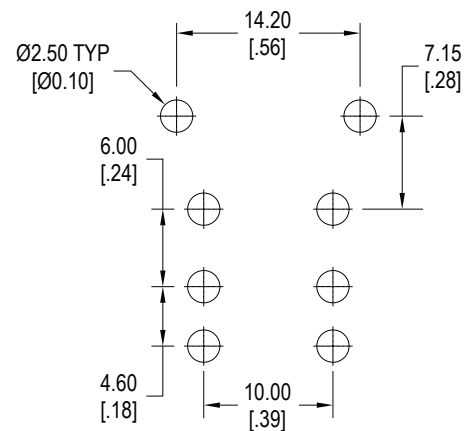
2A



2C



1A / 2A



1C / 2C