

1060-16-0122 ✓ ACTIVE

DEUTSCH | DEUTSCH Common Contact

TE Internal #: 1060-16-0122

Automotive Terminals, Pin, Pin Diameter 1.59 mm [.063 in], 18 – 14

AWG Wire Size, .82 – 2.08 mm² Wire Size, DEUTSCH Common

Contact

[View on TE.com >](#)



Terminals & Splices > Automotive Terminals > DEUTSCH Size 16 Crimp Contacts



Terminal Type: **Pin**

Mating Pin Diameter: **1.59 mm [.063 in]**

Terminal Transmits: **0 – 24 A (Low Power)**

Wire Size: **.82 – 2.08 mm²**

[All DEUTSCH Size 16 Crimp Contacts \(28\)](#)

Features

Product Type Features

Sealable	No
Primary Locking Feature	On the Terminal

Contact Features

Contact Size	Size 16
Contact Fabrication	Stamped & Formed
Wire Contact Termination Area Plating Material	Tin
Typical Current Rating	13 A
Crimp Type	F-Crimp
Terminal Type	Pin
Mating Pin Diameter	1.59 mm [.063 in]
Interface Plating	Nickel (Ni)

Termination Features

Termination Method to Wire & Cable	Crimp
Product Terminates To	Wire

Dimensions

Compatible Insulation Diameter Range	1.9 – 3.55 mm [.075 – .14 in]
Wire Size	.82 – 2.08 mm ²



Wire Size Search	14 AWG, 15 AWG, 16 AWG, 17 AWG, 18 AWG
------------------	--

Usage Conditions

Insulation Option	Uninsulated
Operating Temperature (Max)	80 °C, 85 °C, 90 °C, 100 °C, 105 °C, 110 °C, 120 °C, 125 °C[176 °F][185 °F][194 °F][212 °F][221 °F][230 °F][248 °F][257 °F]
Operating Temperature Range	-55 – 125 °C[-67 – 257 °F]

Operation/Application

Compatible With Wire Base Material	Copper
------------------------------------	--------

Packaging Features

Packaging Quantity	4000
Packaging Method	Reel

Other

Customer Preferred Contact	Yes
Terminal Transmits	0 – 24 A (Low Power)

Product Compliance

[For compliance documentation, visit the product page on TE.com>](#)

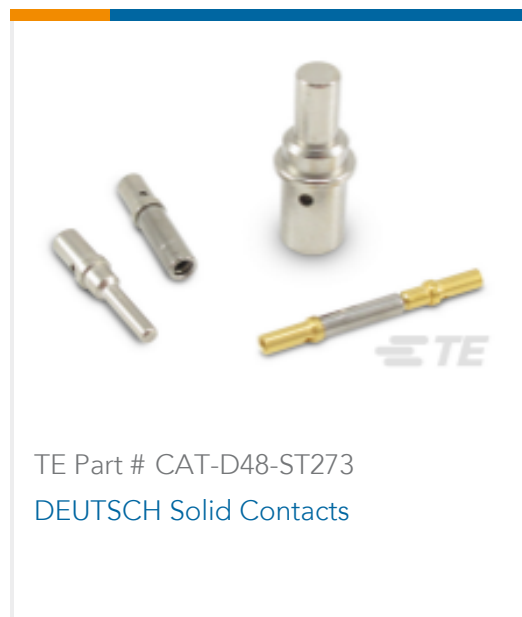
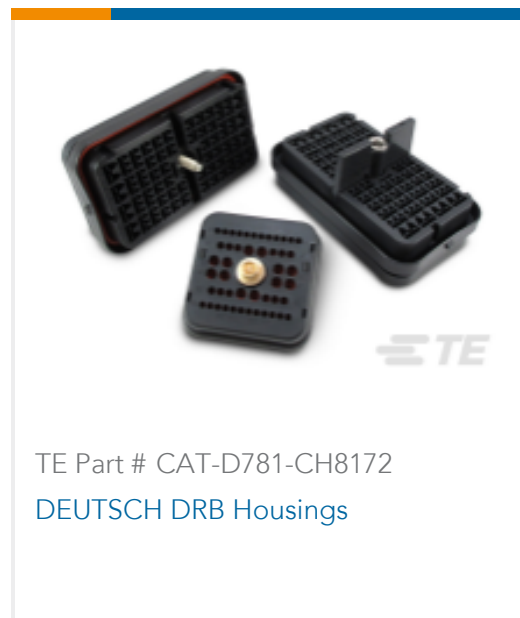
EU RoHS Directive 2011/65/EU	Compliant
EU ELV Directive 2000/53/EC	Compliant
China RoHS 2 Directive MIIT Order No 32, 2016	No Restricted Materials Above Threshold
EU REACH Regulation (EC) No. 1907/2006	Current ECHA Candidate List: JUNE 2023 (235) Candidate List Declared Against: JUNE 2023 (235) Does not contain REACH SVHC
Halogen Content	Low Halogen - Br, Cl, F, I < 900 ppm per homogenous material. Also BFR/CFR/PVC Free
Solder Process Capability	Not reviewed for solder process capability

Product Compliance Disclaimer

This information is provided based on reasonable inquiry of our suppliers and represents our current actual knowledge based on the information they provided. This information is subject to change. The part numbers that TE has identified as EU RoHS compliant have a maximum concentration of 0.1% by weight in homogenous materials for lead, hexavalent chromium, mercury, PBB, PBDE, DBP, BBP, DEHP, DIBP, and 0.01% for cadmium, or qualify for an exemption to these limits as defined in the Annexes of Directive 2011/65/EU (RoHS2). Finished electrical and electronic equipment products will be CE marked as required by Directive 2011/65/EU. Components may not be CE marked. Additionally, the part


numbers that TE has identified as EU ELV compliant have a maximum concentration of 0.1% by weight in homogenous materials for lead, hexavalent chromium, and mercury, and 0.01% for cadmium, or qualify for an exemption to these limits as defined in the Annexes of Directive 2000/53/EC (ELV). Regarding the REACH Regulation, the information TE provides on SVHC in articles for this part number is based on the latest European Chemicals Agency (ECHA) 'Guidance on requirements for substances in articles' posted at this URL: <https://echa.europa.eu/guidance-documents/guidance-on-reach>

Compatible Parts






TE Part # CAT-D487-CH8172
DEUTSCH DT Series Housings & Connectors



TE Part # CAT-ST858-CH8172
DEUTSCH Strike Housings

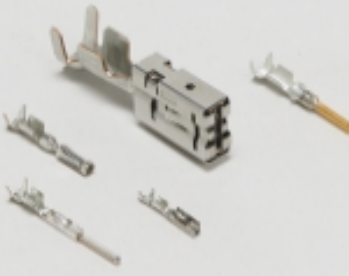


TE Part # 2286003-3
2POS. DT. REC HSG. ASSY. SEALED




TE Part # CAT-J41-DDCC
DEUTSCH DT Color Connectors

Also in the Series | **DEUTSCH Common Contact**



Automotive Terminals(91)



Insertion & Extraction Tools(8)

Customers Also Bought



TE Part #W4P
WEDGE LOCK, 4P, REC, GRN, DT



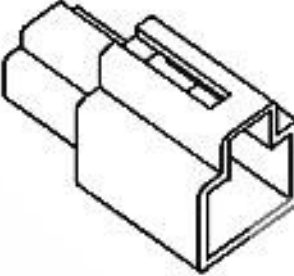
TE Part #DT04-2P-E005
REC, 2P, BLK, N, CAP



TE Part #1060-14-0122
DEUTSCH Size 16 Crimp Contacts



TE Part #1060-12-0166
PIN, SF, SIZE 12, 12-14, NI/SN



TE Part #172217-1
FF 250 REC HSG 2P NYLON NAT



TE Part #1320896-1
FINGER, HOLDDOWN, TERMINAL



TE Part #EK5194-000
ES2000-NO.6-H2-0-39MM



TE Part #172354-7
PULSE LOCK PLUG HSG 14P

Documents

[Product Drawings](#)

[PIN, SF, SIZE 16, 14-18, NI/SN](#)

English

[CAD Files](#)

[3D PDF](#)

[3D](#)



Customer View Model

[ENG_CVM_CVM_1060-16-0122_N_c-1060-16-0122-n.2d_dxf.zip](#)

English

Customer View Model

[ENG_CVM_CVM_1060-16-0122_N_c-1060-16-0122-n.3d_igs.zip](#)

English

Customer View Model

[ENG_CVM_CVM_1060-16-0122_N_c-1060-16-0122-n.3d_stp.zip](#)

English

By downloading the CAD file I accept and agree to the [Terms and Conditions](#) of use.

Datasheets & Catalog Pages

[CONNECTOR SELECTOR](#)

English

Product Specifications

[Application Specification](#)

English