

6

5

4

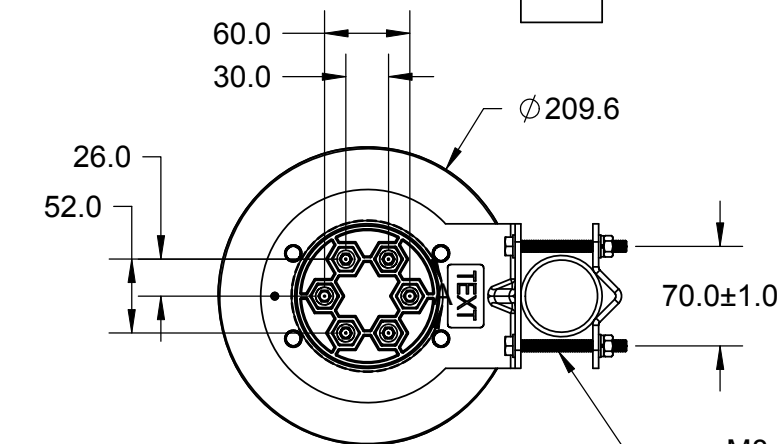
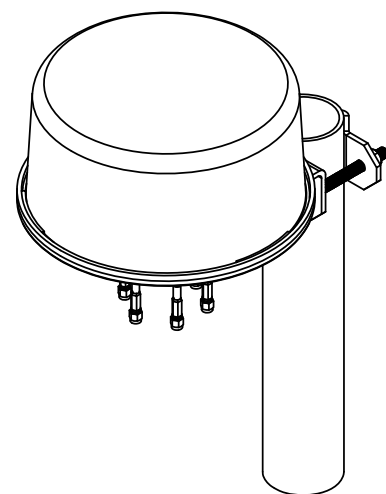
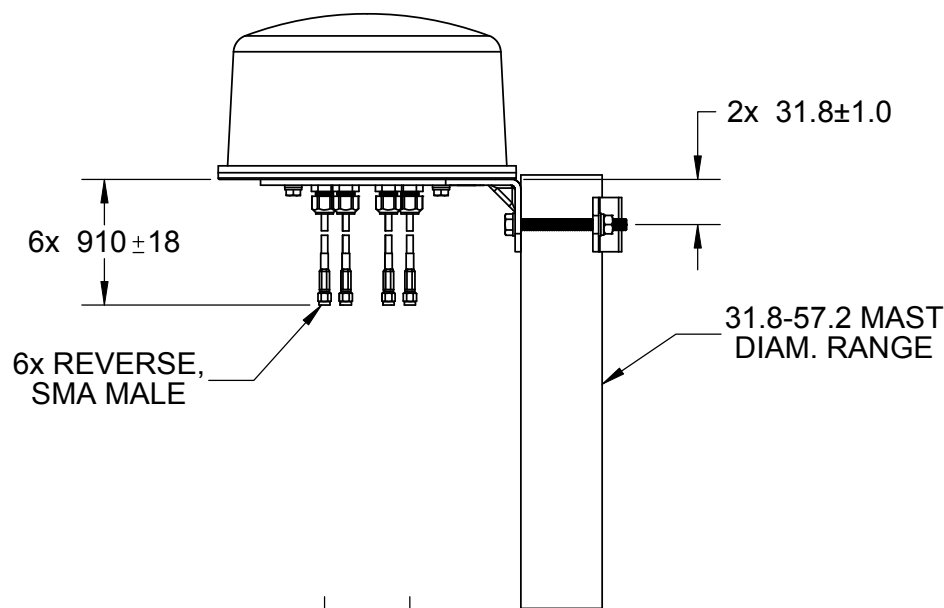
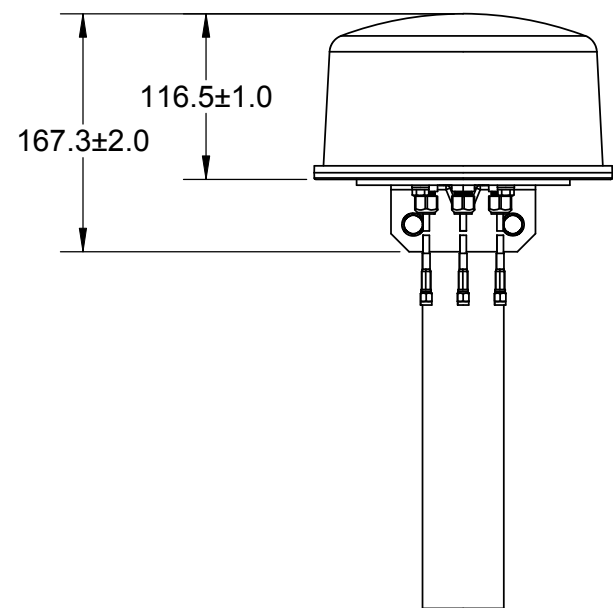
3

2

1

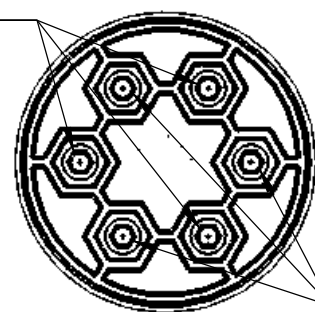
THIS DRAWING IS UNPUBLISHED.	RELEASED FOR PUBLICATION	- , -
© Copyright 2022 TE Connectivity Ltd.		ALL RIGHTS RESERVED.

REVISIONS					
REV.	ECR#	ZONE	DESCRIPTION	CHANGED BY/DATE	APPROVED BY/DATE
AA			INITIAL RELEASE	K.S. 04-13-12	K.S. 04-13-12



2.5GHz PORTS,
3x, BLACK HEAT
SHRINK AT
CONNECTOR

M8x1.25 STAINLESS
STEEL BOLT, WASHERS
AND NUT



DETAIL A
SCALE 2 : 5

Parameter	Performance	
TE Model Number	OP24516SX-91RSMM	
Antenna Type	Omnidirectional, 3x3 Elements	
RF Connector	Reverse, SMA, Male 6x	
Cable Type	RG-58	
Cable P/N (Removable)	N/A	
Cable Length	910mm±18mm 6x (36in±0.71in 6x)	
Plenum Rating	Yes	
Frequency (MHz)	3x 2400-2500	3x 5150-5875
Gain (dBi)	1.6 Typ 4 Max	5 Typ 6 Max
Azimuth Typical 3dB Beamwidth	Omnidirectional	
Elevation Typical 3dB Beamwidth	45°	32°
Impedance	50	
Port-to-Port Isolation	20dB	30dB
Polarization	Linear, Vertical	
VSWR	2.0:1, Max	
Power	5W x 6	
Weight	1.7kg (3.7lbs)	
Omnidirectionality	8dB Nominal	20dB Nominal
Radome Material	Polycarbonate, White	
Mounting	Mast Mount (31.8-57.2 DIAM.)	
Wind Survival	200 km/hr (125 mph)	
Operational Temperature	-30°C to +70°C	
Storage Temperature	-40°C to +85°C	
Ingression Protection	IP67	

MATERIAL: N/A		THIRD ANGLE PROJECTION
FINISH: N/A		DO NOT SCALE DRAWING
APPROVALS		DATE
DRAWN BY	K. SEARL	07-28-11
PROJ. ENG.	W. CHANG	04-18-12
APPL. MECH.	S. JOHNSON	04-13-12
MFG.	B. THATCHER	04-13-12
INTERPRET DIMENSIONING AND TOLERANCING IN ACCORDANCE WITH ASME Y14.5M-2009		
TOLERANCES UNLESS OTHERWISE SPECIFIED		
DIMENSIONS ARE IN MILLIMETERS		
ANGLE: ±30'		
0 PLACE DECIMAL: +0.5		
1 PLACE DECIMAL: +0.25		
2 PLACE DECIMAL: +0.13		
SURFACE ROUGHNESS 1.6		

TE
connectivity

TITLE: **OP24516SX-91RSMM**

SIZE	DWG. NO.	REV
A3	OP24516SX-91RSMMMO	AA
SCALE: 1:5	PREVIOUS#	SHEET 1 OF 1

6

5

4

3

2

1