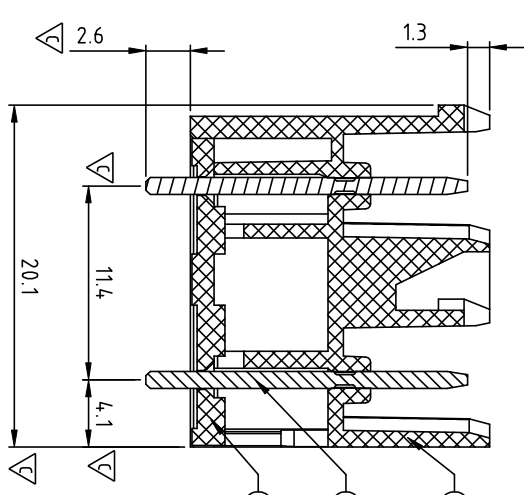
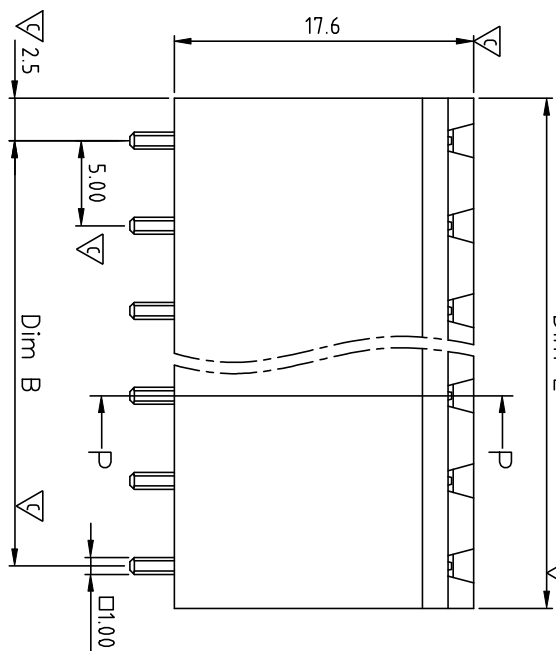
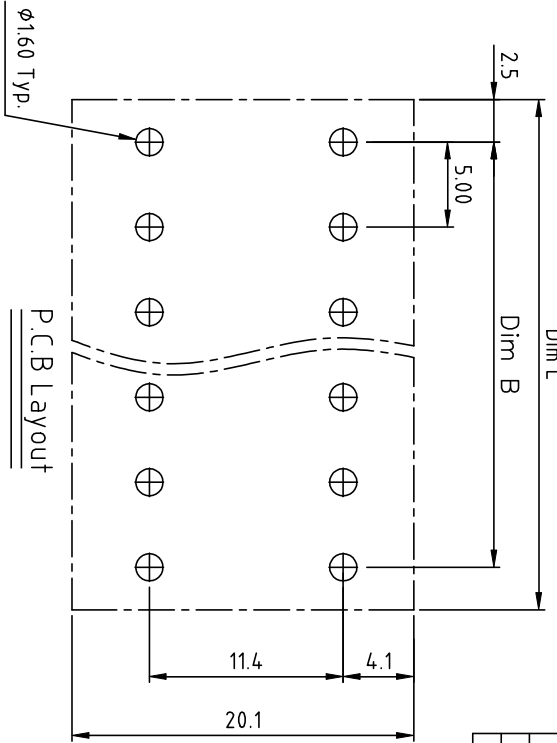
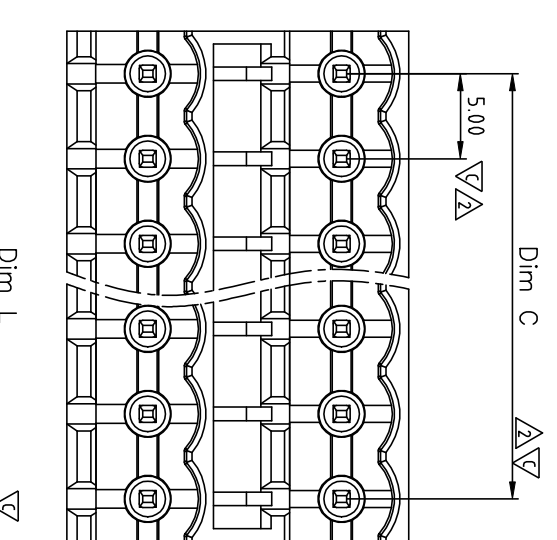


SIGN	DATE	DESCRIPTION	APPROVER
△	03/29/12	Add is cUlus	Chen Bo
△	03/29/12	The dimension Dim C & 5.00 are added	Chen Bo

THIS IS CAD DRAWING. DO NOT REVISE MANUALLY!!!!



- Material:**
- Item a Terminal(housing): Thermoplastic (UL94V-0)
 - Item b Terminal(cover): Thermoplastic (UL94V-0)
 - Item c Male contact pin : Copper Tin plated
- Electrical:**
- Voltage rating: 300V
 - Current rating: 12A
 - Withstanding Voltage: 16KV
 - Operating temperature: -40°C to +115°C
 - Soldering temperature: 250°C±10°C/5 Sec
 - Safety Approval: **UL**
 - Critical dimension:

- KEY XX 7 4 X 2 XXXX G**
- No. OF POLES
- 04: 2x2 POLES
 - 06: 2x3 POLES
 - 48: 2x24 POLES
- COLOR**
- 0 Black (RAL9005)
 - 2 Red (RAL3001/D)
 - 3 Orange(RAL2011/P)
 - 4 Yellow(RAL1018/A)
 - 5 Green(RAL6018/T)
 - 6 Blue (RAL5015/A)
 - 8 Grey(RAL7035/D)
 - 9 White(RAL1102)
 - C Green(RAL6018/U)
- 0000: "@" Logo (Standard)
- 000A: "ANYTEK" Mark
- Any special item by customer request, please contact sales department.
- RoHS compliant (lead<4%)
In copper Alloy

Poles	Dim L	Dim B	Dim C
2x2P-2x6P	±0.15	±0.15	±0.15
2x7P-2x12P	±0.25	±0.25	±0.25
2x13P-2x18P	±0.35	±0.35	±0.35
2x19P-2x24P	±0.40	±0.40	±0.40

N = Number of poles
 Dim L=Nx5.0
 Dim B=(N-1)x5.0
 Dim C=(N-1)x5.0

ANYTEK

CUSTOMER COPY

ALL RIGHTS RESERVED. REPRODUCTION OR ISSUE TO THIRD PARTIES IN ANY FORM WHATSOEVER IS NOT PERMITTED WITHOUT WRITTEN AUTHORITY FROM THE PROPRIETOR. PROPERTY OF ANYTEK TECHNOLOGY CO., LTD.

TITLE		DWG NO.		Tolerance	
KE 5.0mm Open Series 2x2P-2x24P (Vertical) DIP type		8KE0108		X	±0.50
PART NO. KExx74x2xxxxG		CUST. NO.		X X	±0.30
APPROVED		DRAWN		X X X	±0.10
CHECKED	DESIGNED	CUST. NO.	REV.	X°	±1°
Chen Bo 04/14/12	Chen Bo 04/14/12		C		
SHEET: 01/01					