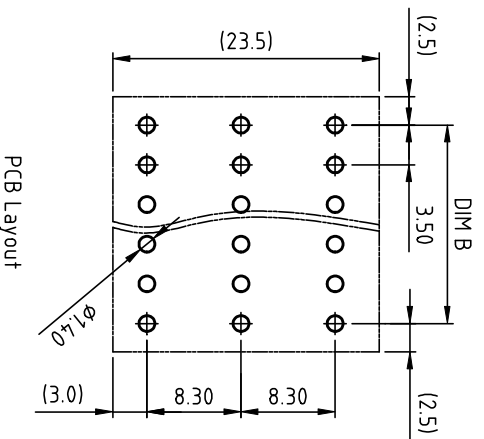
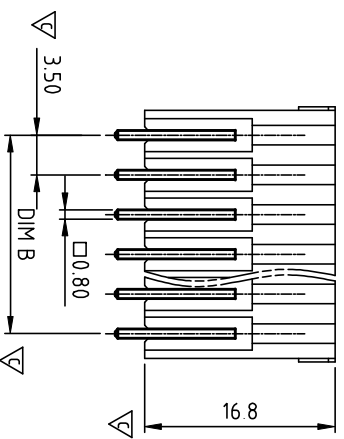
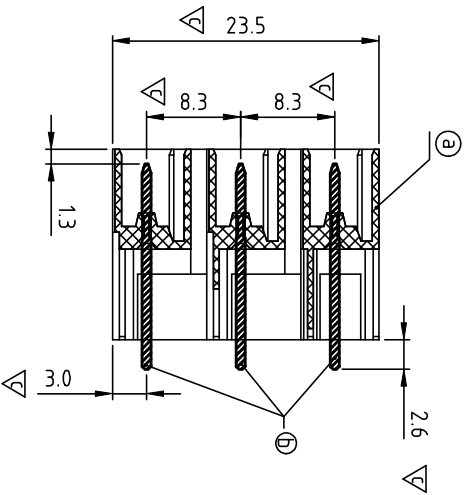
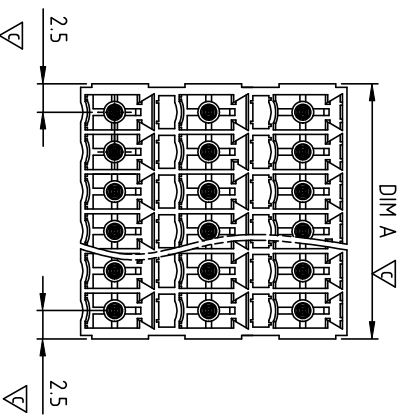


SIGN	DATE	DESCRIPTION	APPROVER
Δ			

THIS IS CAD DRAWING, DO NOT REVISE MANUALLY!!!



N=NUMBER OF CONTACTS

DIM	TOL
Dim A (N/3-1)*3.5+5.0	±0.20
Dim B (N/3-1)*3.5	±0.25
	±0.30

- Material:
- Item (a) Terminal(housing): PA66 30% GF (UL94V-0)
 - Item (b) Contact pin : copper Tin plated
- Electrical:
- Voltage rating: 160V
 - Current rating: 5.5A
 - Withstanding Voltage: 1.32 KV
 - Operating temperature: -40°C to +115°C
 - Soldering temperature: 250°C ±10°C/5 Sec
 - APPROVAL:
- Critical dimension: ∇

K3 XX 1 1 X 0 XXXX G

No. OF POLES
 06: 3x2 POLES
 09: 3x3 POLES
 :
 :
 72: 3x24 POLES

COLOR
 0 Black (RAL9005)
 3 Orange(RAL2011/P)
 5 Green(RAL6018/T)
 6 Blue (RAL5015/A)
 8 Grey(RAL7035/D)

RoHS compliant
 (lead<4%)
 In copper Alloy

A000: "@ Logo (Standard)
 A00A: "ANYTEK" Mark

Any special item by customer request, please contact sales department.

ANYTEK

CUSTOMER COPY

ALL RIGHTS RESERVED. REPRODUCTION OR ISSUE TO THIRD PARTIES IN ANY FORM WHATSOEVER IS NOT PERMITTED WITHOUT WRITTEN AUTHORITY FROM THE PROPRIETOR. PROPERTY OF ANYTEK TECHNOLOGY CO., LTD

TITLE	K3 3.5mm W/O Flange Series (180°-Vertical) DIP type	
PART NO.	K3xx1Tx0xxxxG	DWG NO. 8K30010
APPROVED	CHECKED	DESIGNED
Runner	Runner	Runner
2010.09.18	2010.06.28	2010.06.28
SHEET: 01/01		REV: B
UNIT: mm		Tolerance
SCALE: NONE		X.X ±0.50
REV: B		X.XX ±0.30
		X° ±0.10
		X° ±1°