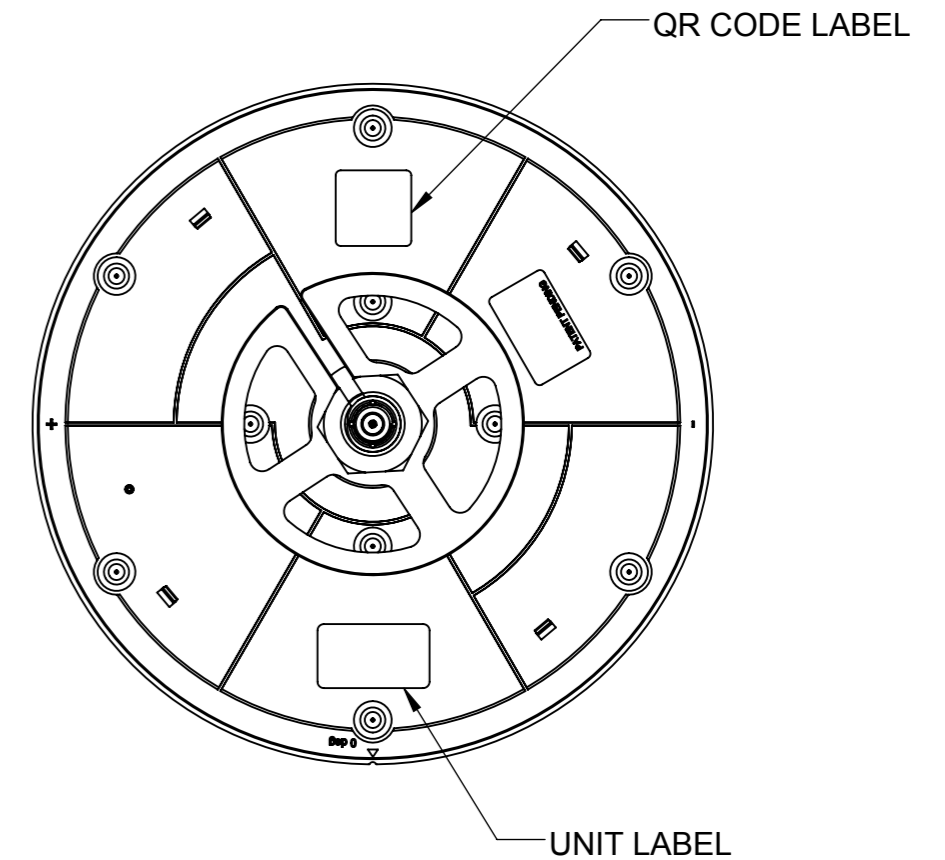
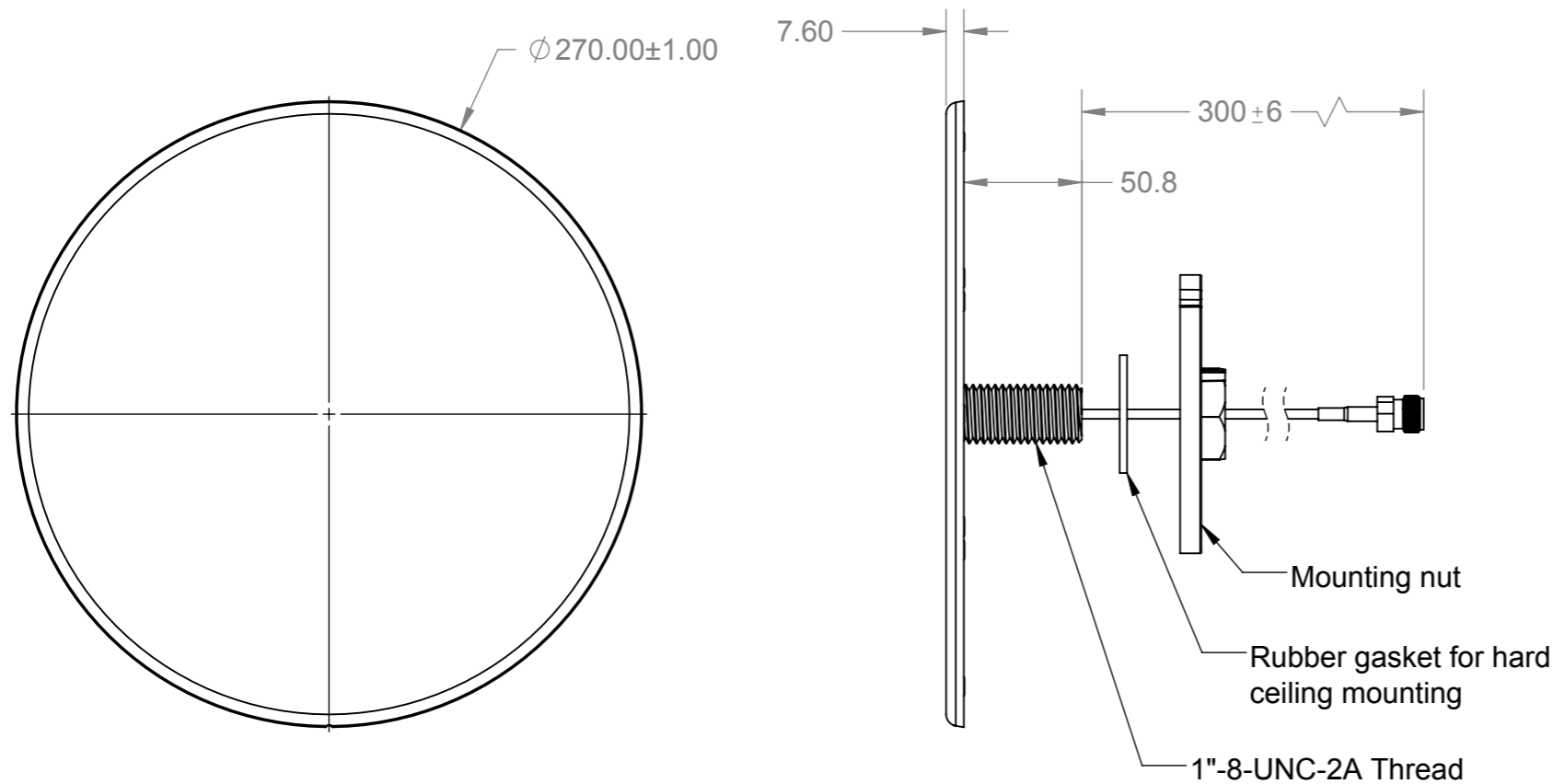


THIS DRAWING IS UNPUBLISHED.	RELEASED FOR PUBLICATION
© Copyright 2022 TE Connectivity Ltd.	ALL RIGHTS RESERVED.


REVISIONS					
REV.	ECN#	ZONE	DESCRIPTION	CHANGED BY/DATE	APPROVED BY/DATE
F01	ECO-18-00458		PRODUCTION RELEASE	WT NG 26OCT18	WT NG 26OCT18
F02	ECO-18-00519		CORRECTION: HORIZONTAL POLARIZATION WAS VERTICAL	WT NG 06DEC18	WT NG 06DEC18



PARAMETER	SPECIFICATION												
Part No	CFSA35606P-30NF, CFSA35606P-30D43F, CFSA35606P-B30NF, CFSA35606P-B30D43F												
Frequency Bands, MHz	350-380	380-520	600-698	698-806	806-894	880-960	1350-1550	1690-1880	1850-1990	1910-2180	2300-2700	3300-4200	4900-5925
Peak Gain, dBi (Max)	4.5	4.4	3.7	4.0	4.2	4.6	5.6	5.4	4.1	5.0	5.7	6.8	7.3
VSWR, Max	2.5:1			2.0:1									
PIM, 3rd Order, 2 x 20W (Max)	-150		-150					-150					
Nominal Impedance	50Ω												
Polarization	Horizontal												
Azimuth Beam Width	360°, Omnidirectional												
Max Power (Ambient 25°C/77°F)	50 Watts												
Cable Length/Connector	30 cm (12") Type N- female / 4.3-10 Female												
Antenna Dimension (Ht x Dia)	7.6 x 270 mm												
Weight	0.46 kg (1.01 lbs)												
Antenna Color	White												
Radome	PC, UV Stable, UL94-V0 Material												
Operating Temperature	-30°C to +70°C												
Storage Temperature	-40°C to +85°C												
RoHS Compliance	YES												

* The PIM performance is 100% tested at 3 frequency ranges in Production.

F02

MATERIAL:		THIRD ANGLE PROJECTION			
FINISH:		DO NOT SCALE DRAWING			
APPROVALS		DATE		TITLE: CFSA35606P, 30CM	
DRAWN BY	WT NG	08AUG18			
ELEC. ENG.	KJ NG	08AUG18			
MECH. ENG.	WT NG	08AUG18			
MFG./OPS.	HE KHOR	08AUG18		SIZE: A3 DWG. NO.: CFSA35606P-x30xxMO REV: F02	
		ANGLE: ±30' 0 PLACE DECIMAL: ±0.5 1 PLACE DECIMAL: ±0.25 2 PLACE DECIMAL: ±0.13 SURFACE ROUGHNESS 1.6		SCALE: 1:3 PREVIOUS# SHEET 1 OF 1	