

Description: 1204 915MHz FR4 Chip Antenna

PART NUMBER: ANT1204F005R0915A



Features:

- Size : 12.2 x 4.0 x 1.6 mm
- Omni-directional Radiation
- Tape & reel automatic mounting
- Reflow process compatible
- RoHS compliant

Applications:

- Smart meter
- Industrial remote control

In the effort to improve our products, we reserve the right to make changes judged to be necessary.

CONFIDENTIAL AND PROPRIETARY INFORMATION

This document contains confidential and proprietary information of Pulse Electronics, Inc. (Pulse) and is protected by copyright, trade secret and other state and federal laws. Its receipt or possession does not convey any rights to reproduce, disclose its contents, or to manufacture, use or sell anything it may describe. Reproduction, disclosure or use without specific written authorization of Pulse is strictly forbidden.

For more information:

Pulse Worldwide Headquarters
15255 Innovation Drive #100
San Diego, CA 92128
USA
Tel:1-858-674-8100

Pulse/Larsen Antennas
18110 SE 34th St Bldg 2 Suite 250
Vancouver, WA 98683
USA
Tel: 1-360-944-7551

Europe Headquarters
Pulse GmbH & Do, KG
Zeppelinstrasse 15
Herrenberg, Germany
Tel: 49 7032 7806 0

Pulse (Suzhou) Wireless Products Co, Inc.
99 Huo Ju Road(#29 Bldg,4th Phase
Suzhou New District
Jiangsu Province, Suzhou 215009 PR China
Tel: 86 512 6807 9998



Description: 1204 915MHz FR4 Chip Antenna

PART NUMBER: ANT1204F005R0915A

ELECTRICAL SPECIFICATIONS

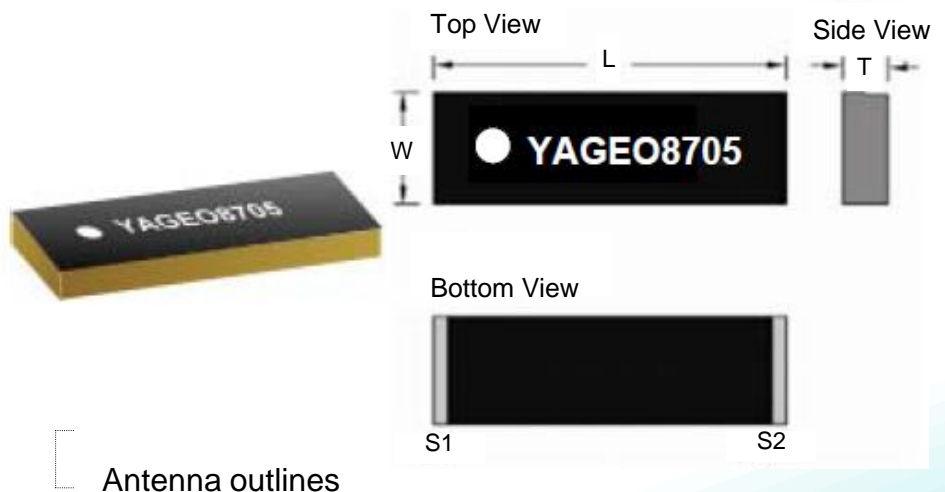
Centre Frequency	915 MHz
Bandwidth	30 MHz (Typ.)
Return Loss	10 dB Min
Polarization	Linear
Azimuth Beamwidth	Omni-directional
Peak Gain	1.59 dBi(Typ.)
Impedance	50 Ω
Operating Temperature	- 40~85 °C
Maximum Power	1 W
Termination	Cu / Au (Environmentally-Friendly Leadless)
Resistance to Soldering Heats	260°C , 10sec.

NOTE
1. The specification is defined on Pulse evaluation board

MECHANICAL DRAWING

	Dimension
L (mm)	12.2 ±0.2
W (mm)	4.0 ±0.2
T (mm)	1.6 ±0.2

TERMINATION	Function
S1	Feeding Point
S2	Soldering Point



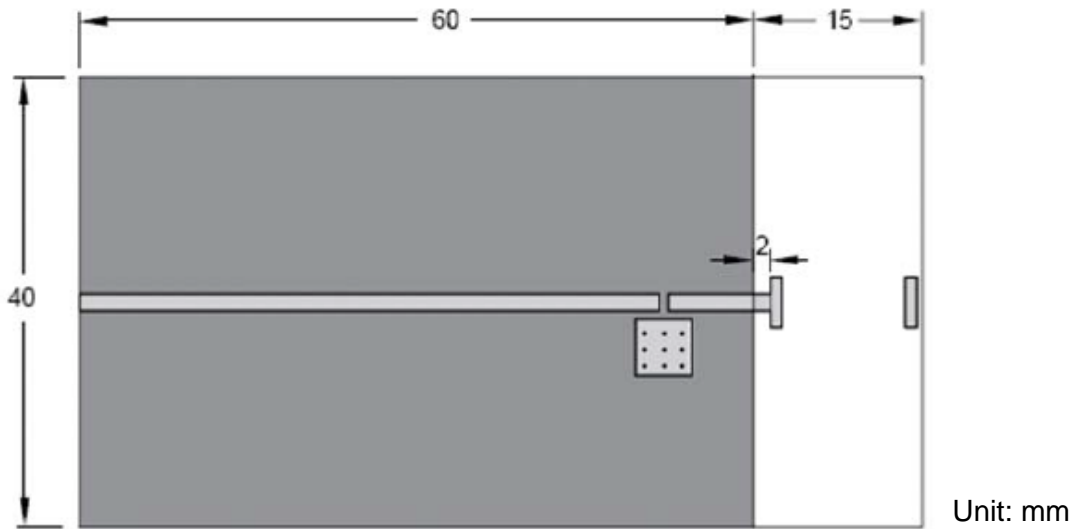
In the effort to improve our products, we reserve the right to make changes judged to be necessary.
CONFIDENTIAL AND PROPRIETARY INFORMATION

This document contains confidential and proprietary information of Pulse Electronics, Inc. (Pulse) and is protected by copyright, trade secret and other state and federal laws. Its receipt or possession does not convey any rights to reproduce, disclose its contents, or to manufacture, use or sell anything it may describe. Reproduction, disclosure or use without specific written authorization of Pulse is strictly forbidden.

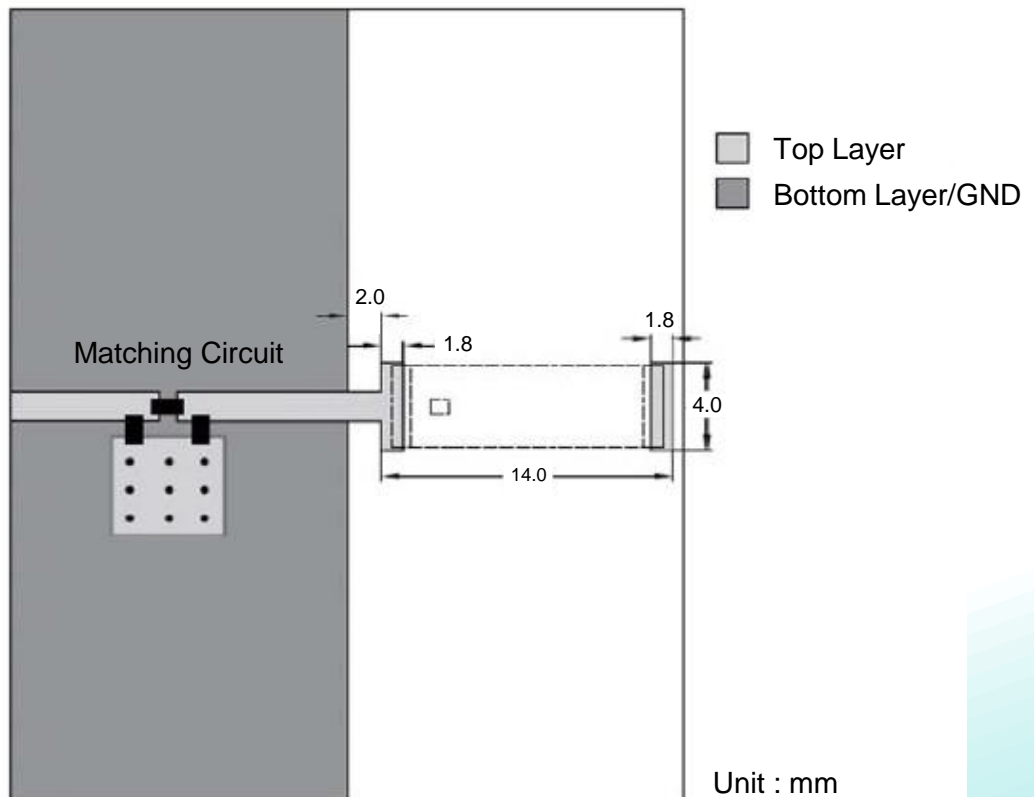
Description: 1204 915MHz FR4 Chip Antenna

PART NUMBER: ANT1204F005R0915A

REFERENCE DESIGN OF EVALUATION BOARD



Outlook and dimension of evaluation board



Details of soldering Pad

In the effort to improve our products, we reserve the right to make changes judged to be necessary.

CONFIDENTIAL AND PROPRIETARY INFORMATION

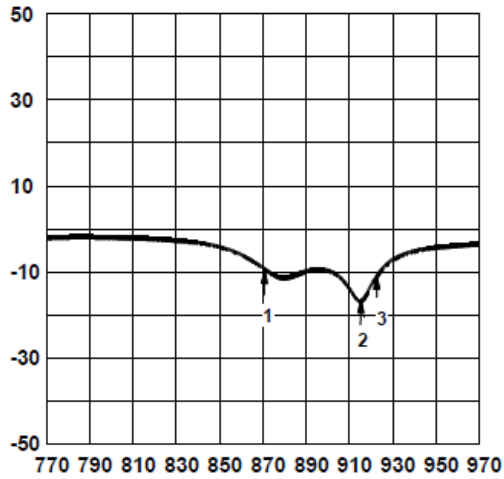
This document contains confidential and proprietary information of Pulse Electronics, Inc. (Pulse) and is protected by copyright, trade secret and other state and federal laws. Its receipt or possession does not convey any rights to reproduce, disclose its contents, or to manufacture, use or sell anything it may describe. Reproduction, disclosure or use without specific written authorization of Pulse is strictly forbidden.

Description: 1204 915MHz FR4 Chip Antenna

PART NUMBER: ANT1204F005R0915A

ELECTRICAL PERFORMANCES

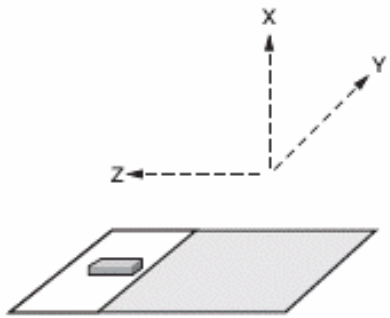
Return loss
(dB)



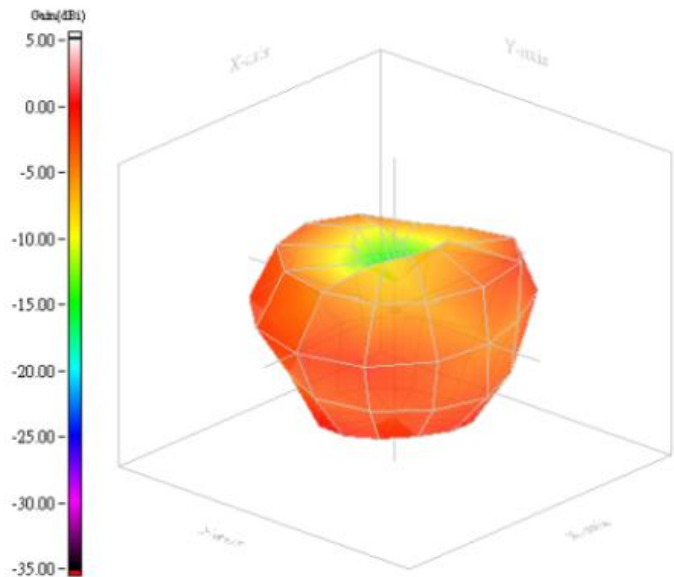
Marker data

- 1. 870 MHz, -10dB
- 2. 915 MHz, -16.73dB
- 3. 926 MHz, -10dB

Return loss f(MHz)



Evaluation board and XYZ direction



Max gain = 1.59dBi, at (150,180)
MEG (mean effective gain) = -3.56dBi
Directivity (dB) = 4.57
Efficiency = -2.98dB, 50.30%

Radiation pattern

In the effort to improve our products, we reserve the right to make changes judged to be necessary.

CONFIDENTIAL AND PROPRIETARY INFORMATION

This document contains confidential and proprietary information of Pulse Electronics, Inc. (Pulse) and is protected by copyright, trade secret and other state and federal laws.

Its receipt or possession does not convey any rights to reproduce, disclose its contents, or to manufacture, use or sell anything it may describe. Reproduction, disclosure or use without specific written authorization of Pulse is strictly forbidden.

Description: 1204 915MHz FR4 Chip Antenna

PART NUMBER: ANT1204F005R0915A

REVISION HISTORY

Revision	Date	Description
Version 1	Mar. 9, 2021	- New issue for Pulse version.

In the effort to improve our products, we reserve the right to make changes judged to be necessary.

CONFIDENTIAL AND PROPRIETARY INFORMATION

This document contains confidential and proprietary information of Pulse Electronics, Inc. (Pulse) and is protected by copyright, trade secret and other state and federal laws. Its receipt or possession does not convey any rights to reproduce, disclose its contents, or to manufacture, use or sell anything it may describe. Reproduction, disclosure or use without specific written authorization of Pulse is strictly forbidden.