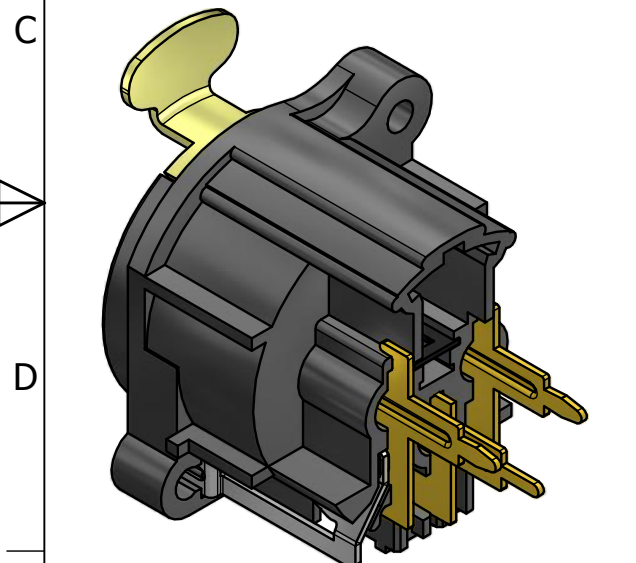
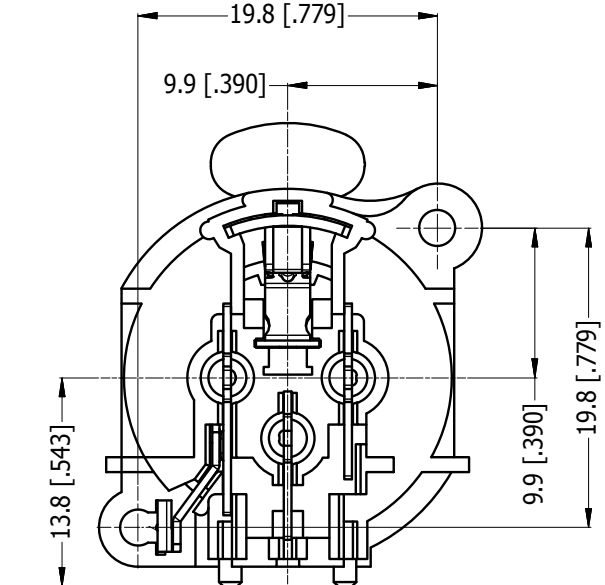
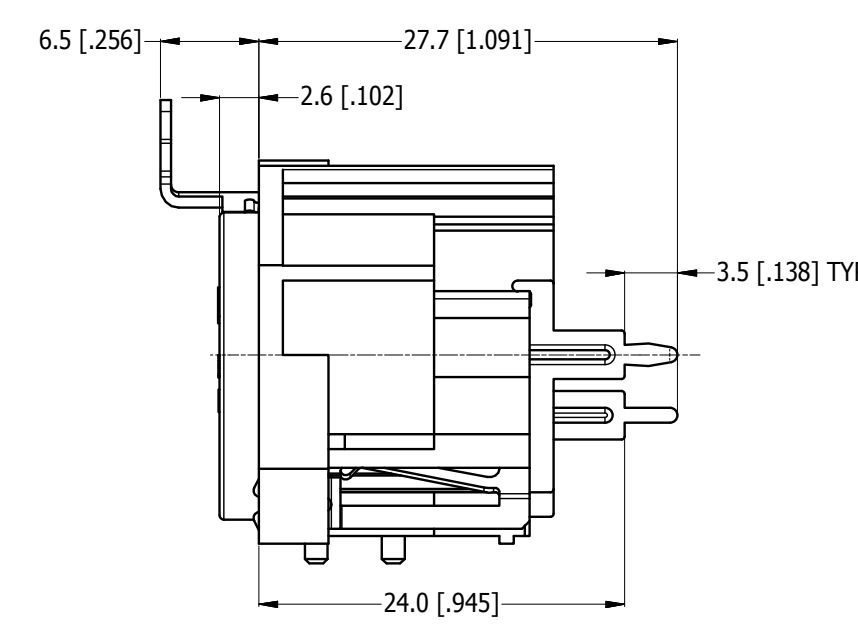
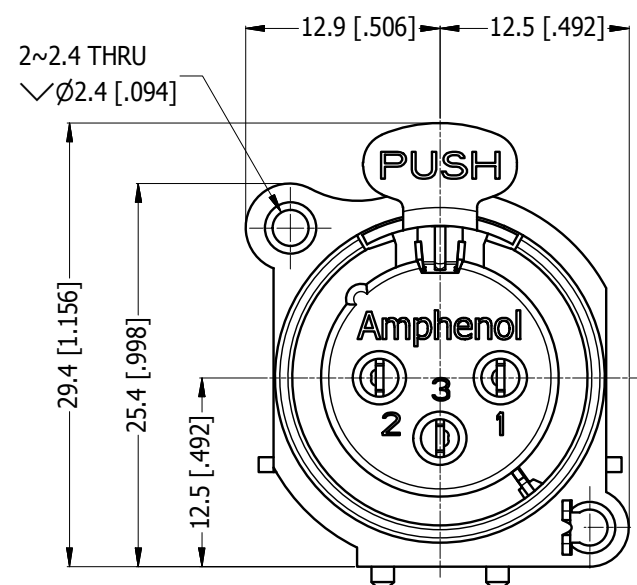
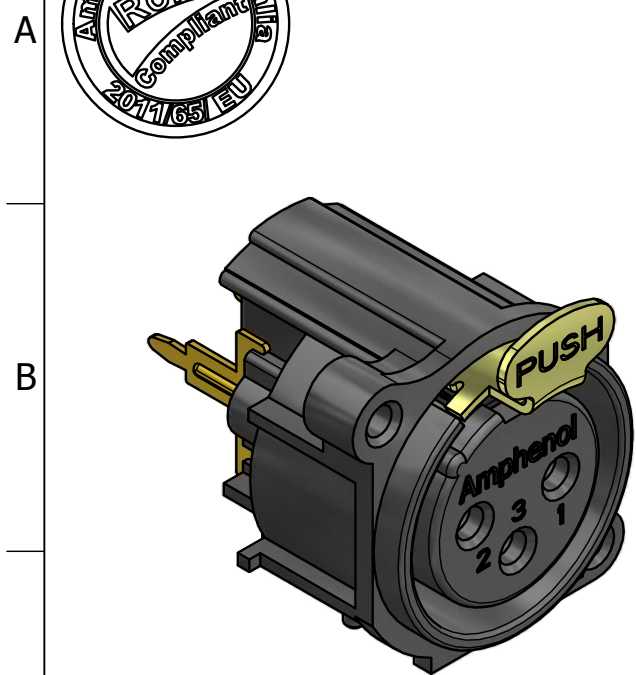


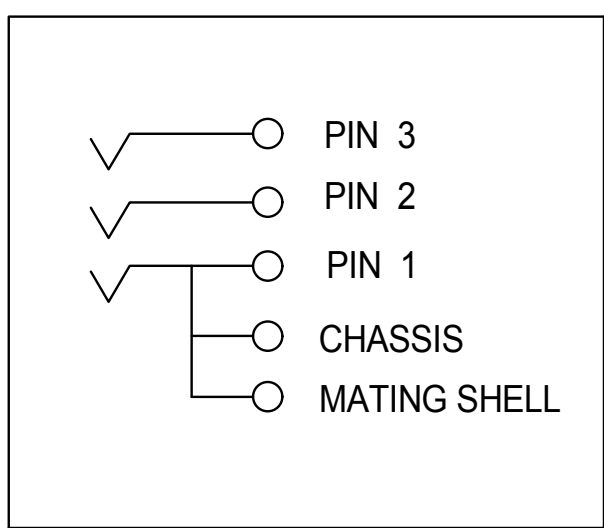
LEGEND = KEY PRODUCT CHARACTERISTICS



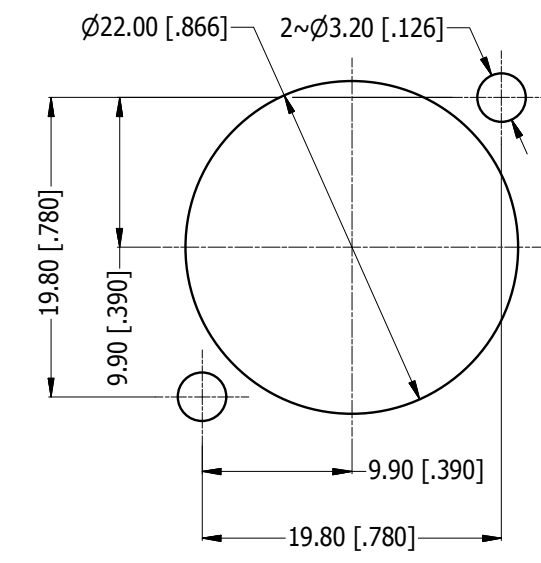
REVISION HISTORY				
REV	DESCRIPTION	DATE	BY	CHG/No
0	FIRST ISSUE	26/09/14	MH	---



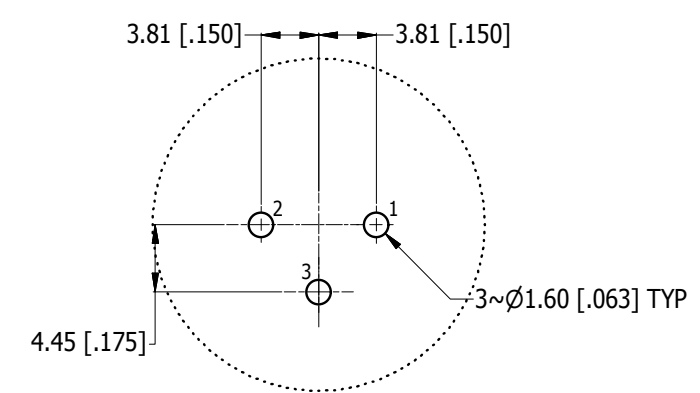
ISO VIEW



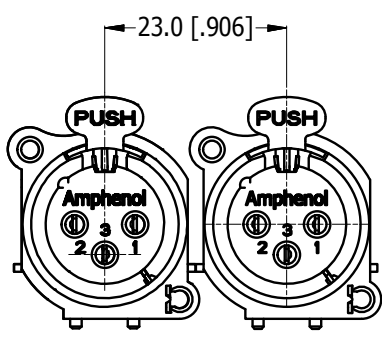
SCHMATIC CHART



PANEL CUT OUT REAR VIEW



PCB-LAYOUT COMPONENT SIDE TOLERANCE: ± 0.05mm [.002"]



MIN MOUNTING PITCH SCALE 1:1

UNLESS OTHERWISE SPECIFIED TOLERANCE TO BE		THIS DOCUMENT IS THE PROPERTY OF AMPHENOL AUSTRALIA PTY. LTD. NO PART THEREOF MAY BE REPRODUCED AND USED WITHOUT THE PRIOR WRITTEN CONSENT OF THE OWNER				<b>Amphenol</b> Amphenol Australia Pty.Ltd, 22 Industry Blvd, Carrum Downs, VIC 3201	
LINEAR	ANGULAR	MATERIAL: REFER TO COMPONENT	DRN: MH	DATE: 26/09/14	TITLE: AC3FAV1-AU-PRE A-TYPE VERTICAL CUSTOMER DRAWING	PART No: AC3FAV1-AU-PRE	
X ± 0.5	X' ± 1		CKD: M.H	DATE: 26/09/14		DRAWING NO. 55011050-000-2	SHEET 2/2
X.X ± 0.2	X.X' ± 30'	BREAK ALL SHARP EDGES AND REMOVE ALL BURRS	APP'D: P.M	DATE: 26/09/14	CAD FILE 55011050000220		
X.XX ± 0.1	X.XX' ± 15'	DO NOT SCALE	DIMENSIONS IN MILLIMETRES		SCALE: 2:1	SIZE: A3	