

ANT-W63WS6-IPW1-RPS ✓ ACTIVE

TE Internal #: L9000365-01

Terminal/Duck Antenna, Triple Band, Wi-Fi, External Mount, Connector, N-type, Omnidirectional, Single Port, Gain > 6 dBi

[View on TE.com >](#)



Antennas



Wireless Application: **Wi-Fi**

Mounting Location: **External**

Mounting Type: **Connector**

Antenna Termination: **N-type**

Antenna Type: **Terminal/Duck**

Features

Product Type Features

Antenna Product Type	Antenna
Antenna Termination	N-type

Configuration Features

Antenna Style	Dipole
Mounting Location	External
Antenna Type	Terminal/Duck
Band Type	Triple Band
Port Configuration	Single Port

Signal Characteristics

Nominal Frequency Range	2400 – 7125
Peak Gain	> 6 dBi

Mechanical Attachment

Mounting Type	Connector
---------------	-----------

Operation/Application

Directionality	Omnidirectional
----------------	-----------------

Industry Standards

Wireless Application	Wi-Fi
Primary Application	Wi-Fi



Product Compliance

[For compliance documentation, visit the product page on TE.com>](#)

EU RoHS Directive 2011/65/EU	Compliant with Exemptions
EU ELV Directive 2000/53/EC	Compliant with Exemptions
China RoHS 2 Directive MIIT Order No 32, 2016	Restricted Materials Above Threshold
EU REACH Regulation (EC) No. 1907/2006	Current ECHA Candidate List: JUNE 2023 (235) Candidate List Declared Against: JUNE 2023 (235) SVHC > Threshold: Pb (2.82% in Component Part) Article Safe Usage Statements: Do not eat, drink or smoke when using this product. Wash thoroughly after handling. Recycle if possible and dispose of the article by following all applicable governmental regulations relevant to your geographic location.
Halogen Content	Not Low Halogen - contains Br or Cl > 900 ppm.
Solder Process Capability	Not reviewed for solder process capability

Product Compliance Disclaimer

This information is provided based on reasonable inquiry of our suppliers and represents our current actual knowledge based on the information they provided. This information is subject to change. The part numbers that TE has identified as EU RoHS compliant have a maximum concentration of 0.1% by weight in homogenous materials for lead, hexavalent chromium, mercury, PBB, PBDE, DBP, BBP, DEHP, DIBP, and 0.01% for cadmium, or qualify for an exemption to these limits as defined in the Annexes of Directive 2011/65/EU (RoHS2). Finished electrical and electronic equipment products will be CE marked as required by Directive 2011/65/EU. Components may not be CE marked. Additionally, the part numbers that TE has identified as EU ELV compliant have a maximum concentration of 0.1% by weight in homogenous materials for lead, hexavalent chromium, and mercury, and 0.01% for cadmium, or qualify for an exemption to these limits as defined in the Annexes of Directive 2000/53/EC (ELV). Regarding the REACH Regulations, TE's information on SVHC in articles for this part number is still based on the European Chemical Agency (ECHA) 'Guidance on requirements for substances in articles' (Version: 2, April 2011), applying the 0.1% weight on weight concentration threshold at the finished product level. TE is aware of the European Court of Justice ruling of September 10th, 2015 also known as O5A (Once An Article Always An Article) stating that, in case of 'complex object', the threshold for a SVHC must be applied to both the product as a whole and simultaneously to each of the articles forming part of its composition. TE has evaluated this ruling based on the new ECHA "Guidance on requirements for substances in articles" (June 2017, version 4.0) and will be updating its statements accordingly.

Compatible Parts



TE Part # CONREV SMA001-G
RP-SMA Jack 50 Ohm PCB Through Hole



TE Part # CONREV SMA002-SMD-G
RP-SMA RA Jack 50 Ohm PCB Surface Mount



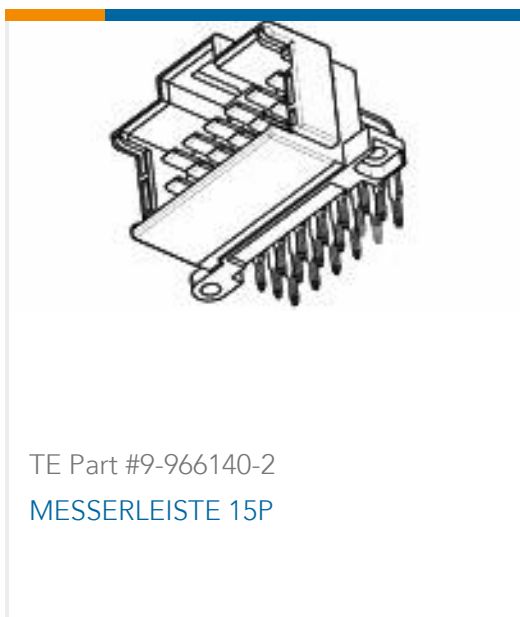
TE Part # L9000251-01
RP-SMA Jack 50 Ohm .062 PCB Edge Mount



TE Part # L9000254-01
RP-SMA Jack 50 Ohm .031 PCB Edge Mount



Customers Also Bought



Documents

Product Drawings

[Antenna Wifi6/6E IP67 Blade RPSMA](#)

English

Datasheets & Catalog Pages

[Sub-6 Cellular LTE-5G NR Frequency Band Guide](#)

English

[Hinged Blade WiFi 6/6E/7 Antenna](#)

English



Virtual Antenna

English

Microslatch Ground Plane Optimization

English