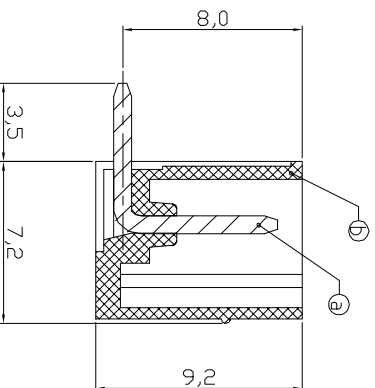
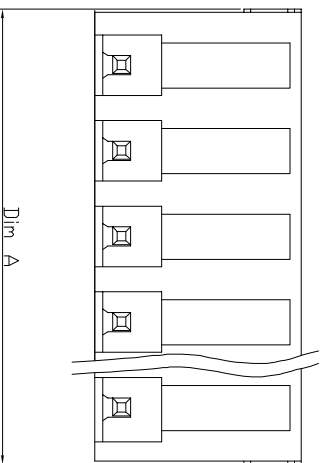


Material
 Item ③ Male contact pin: Copper C1100 Tin plated
 Item ④ Terminal housing: Thermoplastil(UL94V-0)
 Green(RAL6018/7)

Electrical cULus/VDE
 Voltage rating: 300V/300V
 Current rating: 10A/10.5A
 Withstanding Voltage: 1.6kV/2.5kV
 Operating temperature: -40°C to +115°C
 Soldering temperature: 250°C±10°C/5 Sec
 Safety Approval:



DIMENSION

A	(N-1)x3.81+5.0
B	(N-1)x3.81

N=number of poles

Poles	Tolerance
2-6P	±0.15
7-12P	±0.20
13-18P	±0.25
19-24P	±0.30

RoHS compliant
 Unit: mm
 File No.: E349947

Scale	Free			Date	Name
TOLERANCE		⑤	Add UL	15.03.2016	Amy
X.	±0.50	④	Update the design	12.02.2015	Amy
X.X	±0.30	③	Modify Notes	10.12.2009	Dean
X.XX	±0.10	②	Update	29.07.2009	Dean
DIM	TOL	①	Drawn	13.09.2006	Hellwig
X.°	±1°				
Angle	TOL	Modification			

Customer-No.	ASSMANN WSW-No.	
	A-TB381-OQXXCH	
Drawing-No.	ASS 2071 CO	rev05
Replace		Sheet

1	2	3	4	5	6	7	A
1	2	3	4	5	6	7	B
1	2	3	4	5	6	7	C
1	2	3	4	5	6	7	D
1	2	3	4	5	6	7	E
1	2	3	4	5	6	7	F
1	2	3	4	5	6	7	G
1	2	3	4	5	6	7	H