

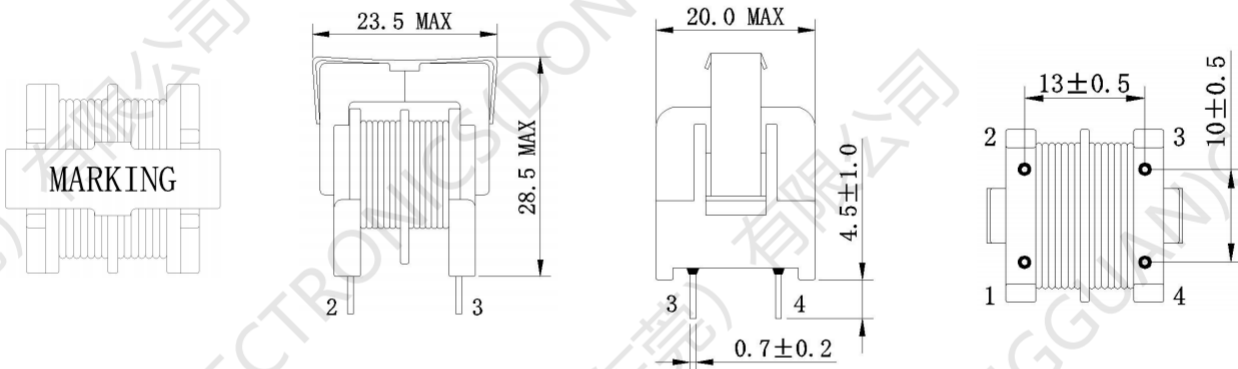
## AC Common Mode Choke FC-UU16-452-3.5A-LF

### Features:

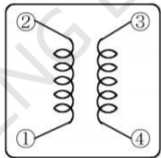
1. 23.5×20.0mm Max.(L×W), 28.5mm Max. Height
2. Inductance range: 4.5mH
3. turns Ratio: 1:1
4. Rated Current: 3.5A
5. Insulation Test Voltage: 1000VAC
6. Application: Ideally used as AC common mode noise filter for TV, VCR, Switching power supply, NC machine, PC&PC related advice, measurement and control unit with better attenuation characteristics in low frequency band.
7. Operating temperature: -40 °C to +125 °C



### 1. Dimensions:mm

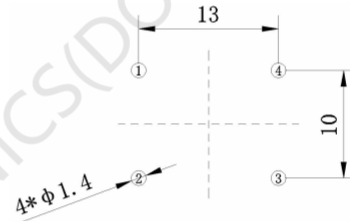


### 2. Schematic:



- \* Winding start is #1,#4 or #2,#3.
- \* #1&#4, #2&#3 : should be same polarity.

### 3. RecommenLand Pattern: mm



### 4. Electrical Properties

NO.	ITEMS	MEASURING POINT	TECHNICAL DATA	TEST CONDITION	INSTRUMENT
1	Inductors	N1=N2	4.5mH /MIN	1KHz, 1V, 25°C	HP4284A
2	IR	COIL~CORE	100Mohm MIN	DC500V	MF2511
3	turns Ratio	N1:N2	1:1	20KHz, 1V, 25°C	TH3250
4	DCR	N1=N2	145mΩ /MAX	25°C	CH502
5	Insulation Test Voltage	COIL => COIL	1000V/AC	50Hz 5mA 3S	CJ2670
6	Rated Current	N1/N2	3.5A	/	6240

Ambient temperature : -40°C to +85°C  
 Operating temperature: -40°C to +125°C