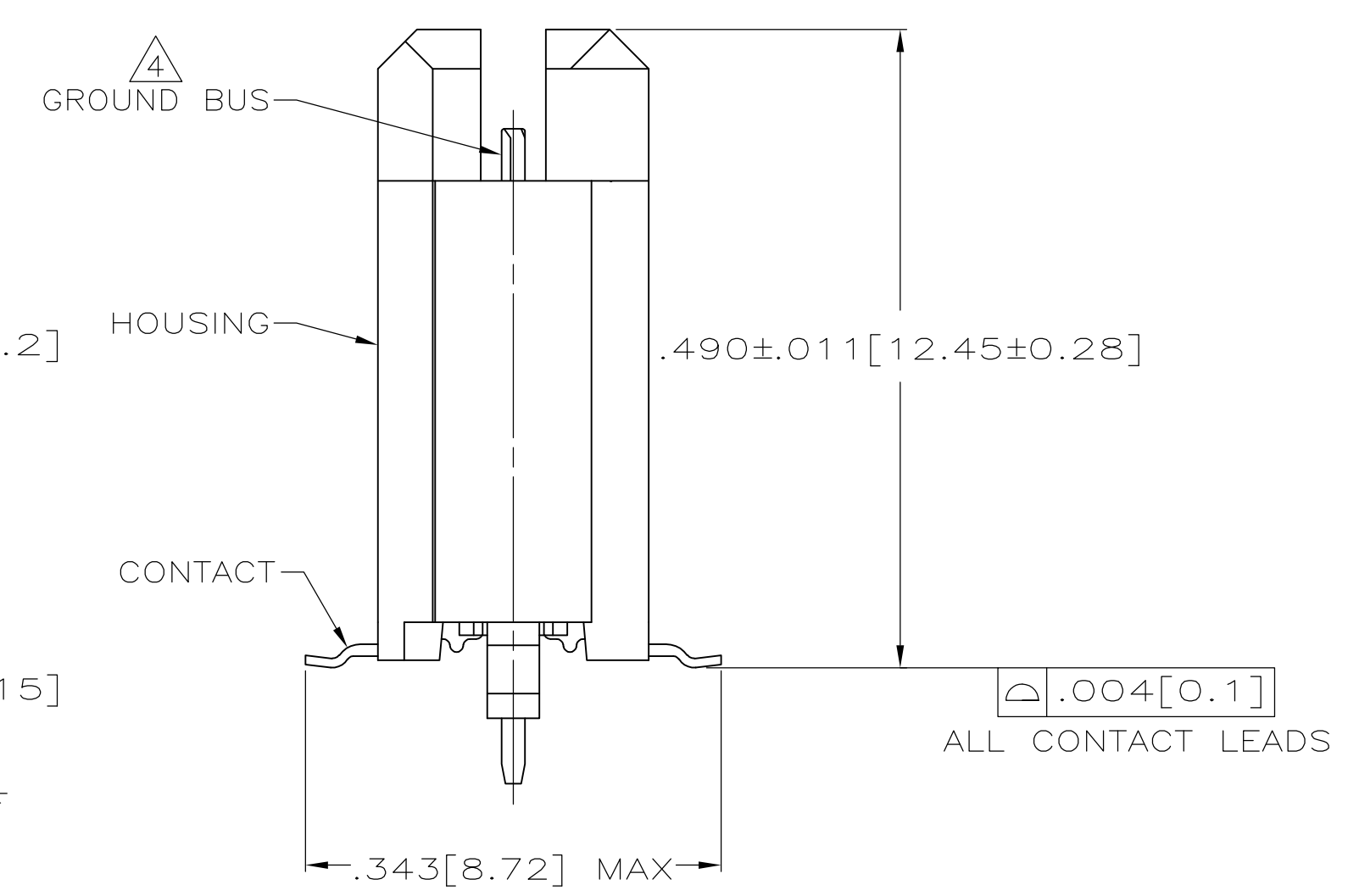
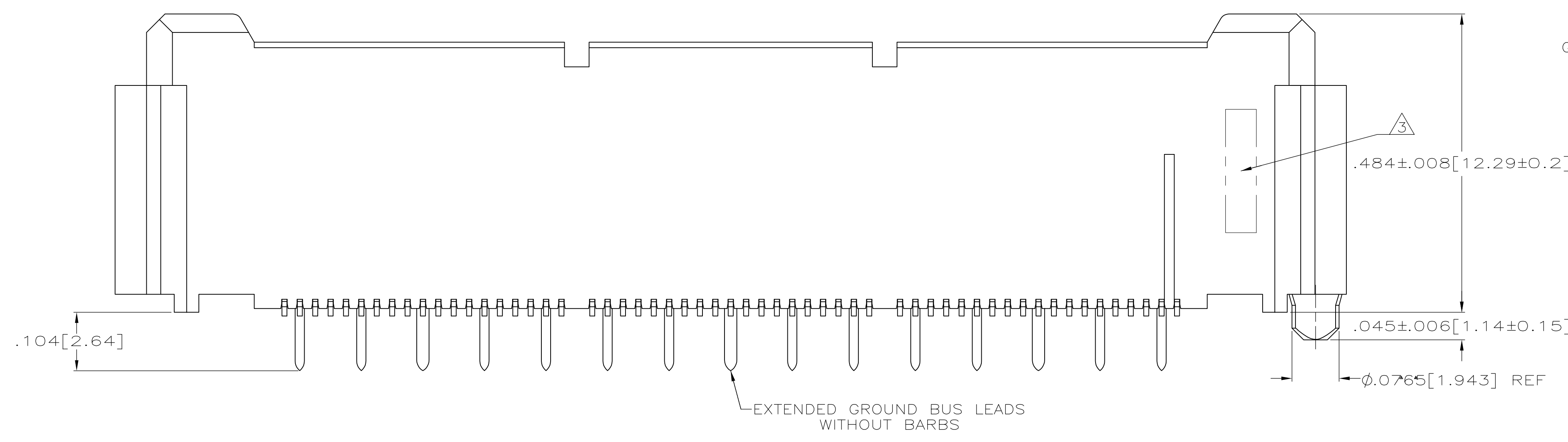


- 1 HOUSING: LIQUID CRYSTAL POLYMER, COLOR BLACK.
CONTACTS: HIGH RELIABILITY COPPER ALLOY.
GROUND BUSES: BRASS, UNS C26000
- 2 CONTACTS & GROUND BUSES: NICKEL UNDERPLATE ALL OVER, MATING SURFACE PLATED TO MEET LEVEL 2 PERFORMANCE REQUIREMENTS OF TE PRODUCT SPECIFICATION 108-1422, SOLDER TAILS PLATED MATTE TIN.
- 3 DATE CODE MARKED IN AREA INDICATED ON SIDE OPPOSITE POSITION #1.
- 4 ONE GROUND BUS WITH 5 TAILS PER EACH MODULE.
- 5 TOLERANCE NON-ACCUMULATIVE.
- 6 FOR STANDARD APPLICATIONS, ORIENTATION HOLE TO BE $\phi.094\pm.002[2.39\pm0.05]$.
FOR SLIP-FIT APPLICATIONS, ORIENTATION HOLE TO BE $\phi.079\pm.001[2.00\pm0.03]$.
- 7 CONNECTORS PACKAGED ON 13 INCH DIA REELS PER EIA 481
- 8 PRELIMINARY - NOT RELEASED FOR PRODUCTION.

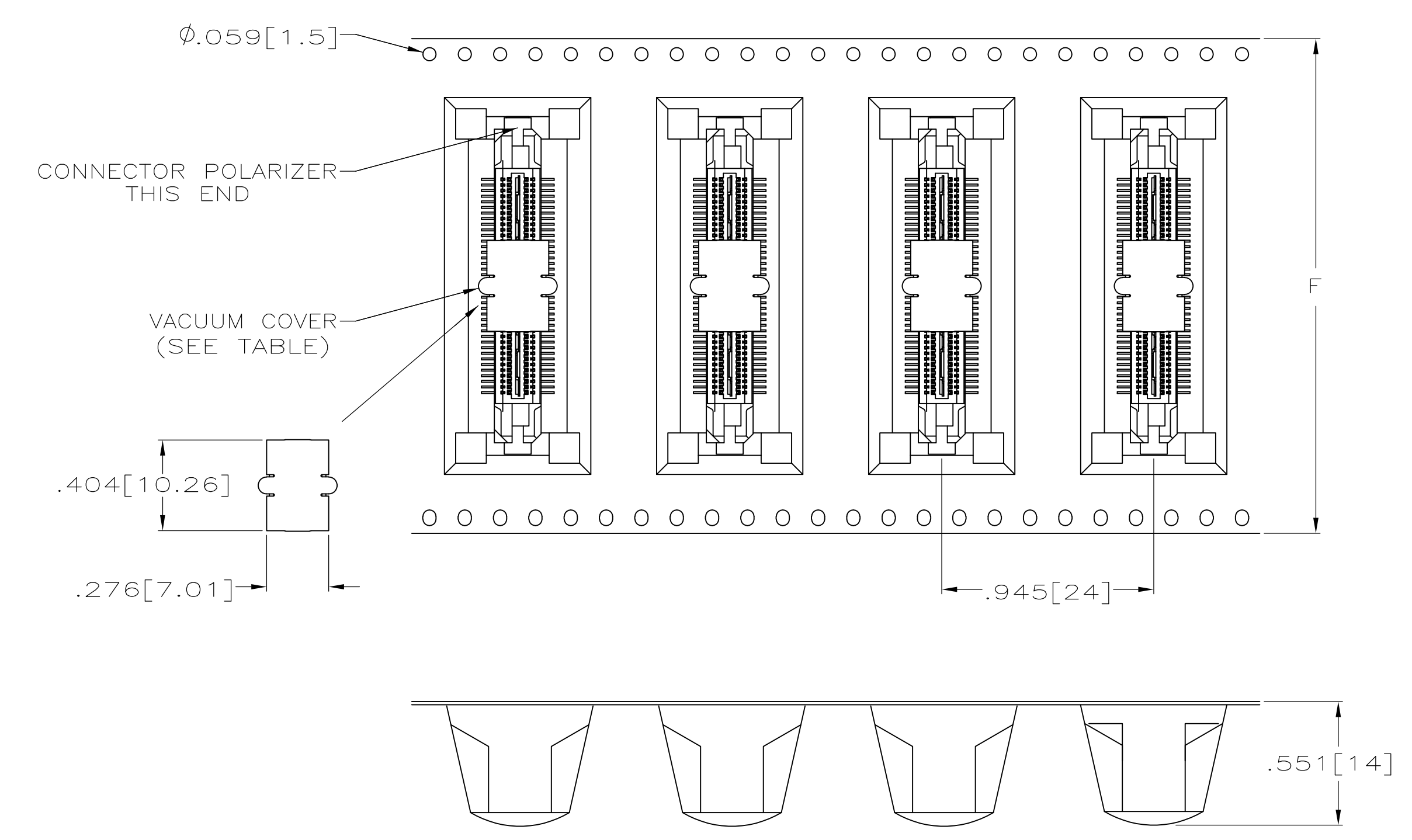


SEE SHEET 2 FOR RECOMMENDED PC BOARD LAYOUT AND PACKAGING DETAIL

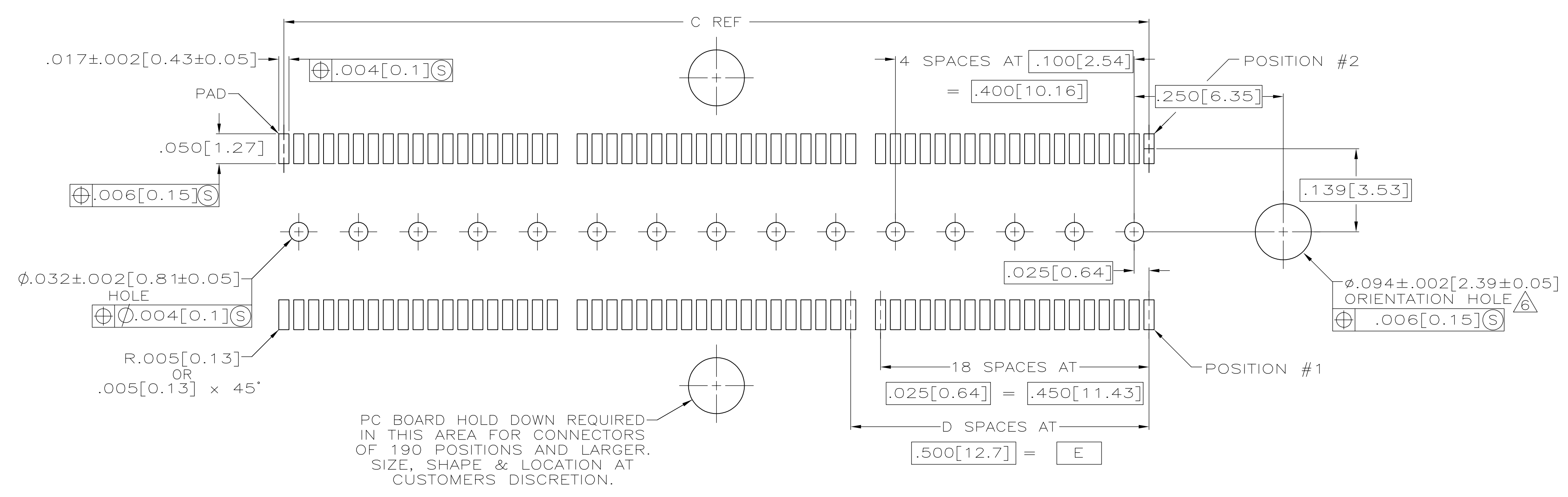
8	NO	4.724[120]	3.000[76.2]	6	3.450[87.63]	3.898[99.01]	4.000[101.6]	266	1-5767127-4
8	NO	4.094[104]	2.500[63.5]	5	2.950[74.93]	3.398[86.31]	3.500[88.9]	228	1-5767127-3
	NO	4.094[104]	2.000[50.8]	4	2.450[62.23]	2.898[73.61]	3.000[76.2]	190	1-5767127-2
	NO	3.465[88]	1.500[38.1]	3	1.950[49.53]	2.398[60.91]	2.500[63.5]	152	1-5767127-1
8	NO	2.835[72]	1.000[25.4]	2	1.450[36.83]	1.898[48.21]	2.000[50.8]	114	1-5767127-0
8	NO	2.205[56]	.500[12.7]	1	.950[24.13]	1.398[35.51]	1.500[38.1]	76	5767127-9
8	NO	1.732[44]	.000[0]	0	.450[11.43]	.898[22.81]	1.000[25.4]	38	5767127-8
8	YES	4.724[120]	3.000[76.2]	6	3.450[87.63]	3.898[99.01]	4.000[101.6]	266	5767127-7
8	YES	4.094[104]	2.500[63.5]	5	2.950[74.93]	3.398[86.31]	3.500[88.9]	228	5767127-6
	YES	4.094[104]	2.000[50.8]	4	2.450[62.23]	2.898[73.61]	3.000[76.2]	190	5767127-5
	YES	3.465[88]	1.500[38.1]	3	1.950[49.53]	2.398[60.91]	2.500[63.5]	152	5767127-4
8	YES	2.835[72]	1.000[25.4]	2	1.450[36.83]	1.898[48.21]	2.000[50.8]	114	5767127-3
8	YES	2.205[56]	.500[12.7]	1	.950[24.13]	1.398[35.51]	1.500[38.1]	76	5767127-2
8	YES	1.732[44]	.000[0]	0	.450[11.43]	.898[22.81]	1.000[25.4]	38	5767127-1
VACUUM COVER INCLUDED		F	E	D	C	B	A	NO OF POS	PART NUMBER

THIS DRAWING IS A CONTROLLED DOCUMENT.

DIMENSIONS: INCHES	TOLERANCES UNLESS OTHERWISE SPECIFIED:	DIN S. ATTADIA 27 OCT 04	TE Connectivity
0 PLC ± -	1 PLC ± -	APVD D. DIXON 27 OCT 04	NAME
2 PLC ± -	3 PLC ± .005(0.13)		PLUG ASSEMBLY, .495[12.57] VERTICAL, .025[0.64]CL, GULL WING LEADS, 108-1422
4 PLC ± -	ANGLES ± -		APPLICATION SPEC
MATERIAL	FINISH	SIZE	CAGE CODE
1	2	A1	00779
CUSTOMER DRAWING		SCALE	SHEET
		1:1	1 OF 2



PACKAGING DETAIL Δ
SCALE 2:1
DIMENSIONS ARE FOR REFERENCE



PC BOARD HOLD DOWN REQUIRED IN THIS AREA FOR CONNECTORS OF 190 POSITIONS AND LARGER. SIZE, SHAPE & LOCATION AT CUSTOMERS DISCRETION.

RECOMMENDED PC BOARD LAYOUT
(VIEWED FROM CONNECTOR SIDE)

THIS DRAWING IS A CONTROLLED DOCUMENT.		DIN	G. ATTADIA	27 OCT 04	 TE Connectivity
		CHK	D. DIXON	27 OCT 04	
		APP'D	D. DIXON	27 OCT 04	NAME
		DIMENSIONS: INCHES TOLERANCES UNLESS OTHERWISE SPECIFIED: 0. PLC ± - 1. PLC ± - 2. PLC ± - 3. PLC ± .005(0.13) 4. PLC ± - ANGLES ± -			PRODUCT SPEC APPLICATION SPEC SIZE WEIGHT CUSTOMER DRAWING
		MATERIAL: - FINISH: -			PLUG ASSEMBLY, .495[12.57] VERTICAL, .025[0.64]CL, GULL WING LEADS, POCKET TAPE PACKAGED, MICTOR
		SCALE 1:1 SHEET 2 OF 2 REV A2			SIZE: A1 CAGE CODE: 00779 DRAWING NO: 5767127