

Data sheet | Item number: 788-154

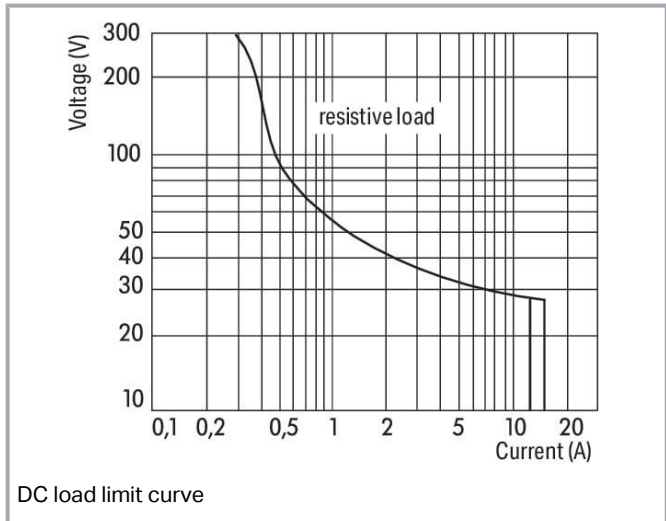
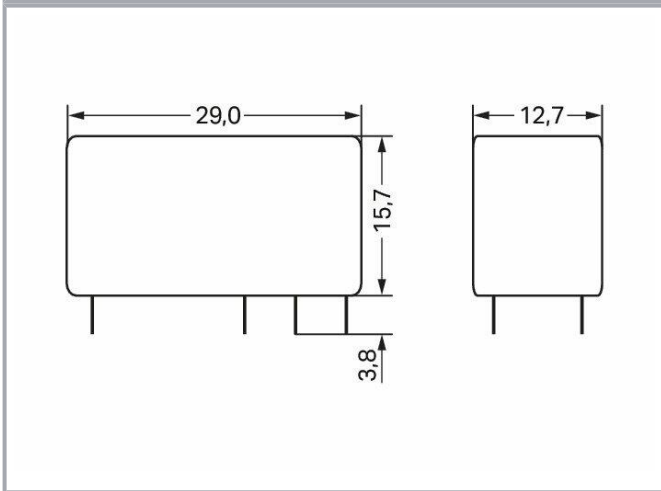
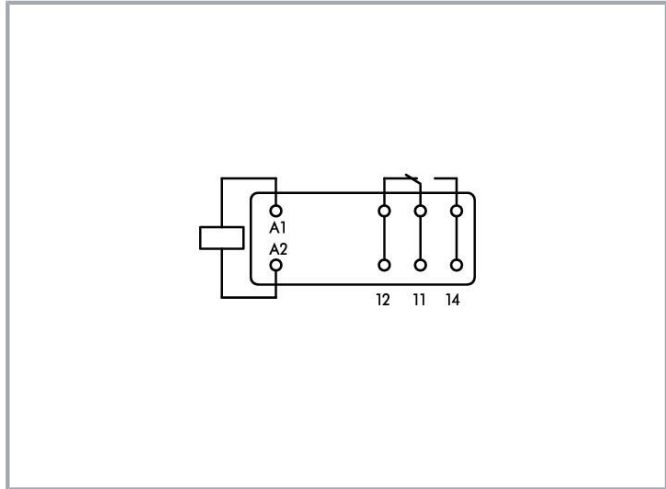
Basic relay; Nominal input voltage: 24 VDC; 1 changeover contact; Limiting continuous current: 16 A; Module width: 13 mm; Module height: 15 mm



www.wago.com/788-154



i Picture differs from the item.



Data
Technical data

Subject to changes. Please also observe the further product documentation!

WAGO GmbH & Co. KG
Hansastr. 27
32423 Minden
Phone: +49571 887-0 | Fax: +49571 887-169
Email: info.de@wago.com | Web: www.wago.com

Do you have any questions about our products?
We are always happy to take your call at +49 (571) 887-44222.

Control circuit

Nominal input voltage U_N	DC 24 V
Nominal input current at U_N	17 mA

Load circuit

Number of changeover/switchover contacts	1
Contact material (relay)	AgNi 90/10
Limiting continuous current	16 A
Inrush current (resistive) max.	(AC) 30 A / 4 s
Switching voltage (max.)	AC 250 V
Switching power (resistive) max.	AC 4000 VA; DC (see load limit curve)
Switching capacity	AC-15: 6 A / AC 250 V; DC-13: 2 A / DC 24 V
Recommended minimum load	12 V / 10 mA
Pull-in time (typ.)	8 ms
Drop-out time (typ.)	6 ms
Bounce time (typ.)	6 ms
Electrical life (NO; resistive load; 23 °C)	30 x 10 ³ switching operations
Mechanical life	30 x 10 ⁶ switching operations
Switching frequency with/without load (max.)	6 min ⁻¹ / 1200 min ⁻¹

Safety and protection

Dielectric strength (control/load circuit) (AC, 1 min)	5 kVrms
Dielectric strength (open contact) (AC, 1 min)	1 kVrms
Protection type	IP40

Physical data

Width	12.7 mm / 0.5 inches
Height from the surface	15.7 mm / 0.618 inches
Depth	29 mm / 1.142 inches

Mechanical data

Mounting type	Pluggable module
---------------	------------------

Material data

Fire load	0.25 MJ
-----------	---------

Subject to changes. Please also observe the further product documentation!



Weight	14 g
--------	------

Environmental requirements

Ambient temperature (operation at U _N)	-40 ... +85 °C
Ambient temperature (storage)	-40 ... +85 °C

Standards and specifications

Standards/specifications	EN 61810-1
--------------------------	------------

Commercial data

Product Group	6 (INTERFACE ELECTRONIC)
eCl@ss 10.0	27-37-16-01
eCl@ss 9.0	27-37-16-01
ETIM 8.0	EC001437
ETIM 7.0	EC001437
Recupel Type	
ECCN	NO DATA
PU (SPU)	20 (1) pcs
Packaging type	box
Country of origin	AT
GTIN	4045454396633
Customs tariff number	85364900990

Environmental Product Compliance

CAS-No.	80-05-7
REACH Candidate List Substance	4,4'-isopropylidenediphenol
RoHS Compliance Status	Compliant, No Exemption
SCIP notification number (Austria)	7a571d4c-192a-4ca2-85de-304cdbac31bb
SCIP notification number (Belgium)	52d423f3-8808-4329-b1e2-ba8286d96e6b
SCIP notification number (Bulgaria)	06718a1c-6c47-4311-b2ca-9b0af63a96c3
SCIP notification number (Czech Republic)	4d22e33f-96f1-40e2-bef3-5de13c7c564c
SCIP notification number (Denmark)	2a1d33f4-0c9d-4a74-a927-88c4df768ed9
SCIP notification number (Finland)	4834f906-499b-4c29-86df-8c1a554f4332
SCIP notification number (France)	a9093bca-47c8-4466-a73b-621a75b9d715
SCIP notification number (Germany)	ba63bd51-c15d-4b6a-9e23-bb91602c47c2
SCIP notification number (Hungary)	18d4e688-25da-4afb-a639-f2a5d7986032

Subject to changes. Please also observe the further product documentation!

WAGO GmbH & Co. KG
 Hansastr. 27
 32423 Minden
 Phone: +49571 887-0 | Fax: +49571 887-169
 Email: info.de@wago.com | Web: www.wago.com


Do you have any questions about our products?
 We are always happy to take your call at +49 (571) 887-44222.



SCIP notification number (Italy)	4bbceb96-2015-4ae8-bc12-7e44172e2534
SCIP notification number (Netherlands)	9e1b60f4-54c2-469d-9d0e-830fd42a7369
SCIP notification number (Poland)	410db261-de04-41ba-954e-3e1d8d1cdaa9
SCIP notification number (Romania)	ef3ffcf5-e50a-4f4a-9d19-f8866f8e785c
SCIP notification number (Sweden)	22900c6d-2722-4dad-85e3-fa1dc511c316

Optional accessories

Sockets

Socket without relay		
	Item no.: 788-100 Relay socket; 1 changeover contact; for 15 mm basic relays; gray	www.wago.com/788-100

Downloads

Documentation

Bid Text

788-154	2019 Feb 20	docx	Download
docx - Datei		15.6 kB	
788-154	2019 Feb 19	xml	Download
X81 - Datei		3.6 kB	

Additional Information

Disposal and Recycling	V 1.1.0	pdf	Download
Electrical and electronic equipment, Batteries, Packaging	2022 Aug 18	2.2 MB	

CAD/CAE-Data

CAE data

WSCAD Universe 788-154	URL	Download
------------------------	-----	----------

CAD data

2D/3D Models 788-154	URL	Download
----------------------	-----	----------

Asset Administration Shell

Asset Administration Shell 788-154	URL	Download
------------------------------------	-----	----------

Subject to changes. Please also observe the further product documentation!



Environmental Product Compliance

Compliance Search

Environmental Product Compliance 788-154

URL

Download

Basic relay; Nominal input voltage: 24 VDC; 1 changeover contact; Limiting continuous current: 16 A; Module width: 13 mm; Module height: 15 mm

Installation Notes

Subject to changes. Please also observe the further product documentation!

WAGO GmbH & Co. KG

Hansastr. 27

32423 Minden

Phone: +49571 887-0 | Fax: +49571 887-169

Email: info.de@wago.com | Web: www.wago.com

Do you have any questions about our products?

We are always happy to take your call at +49 (571) 887-44222.