



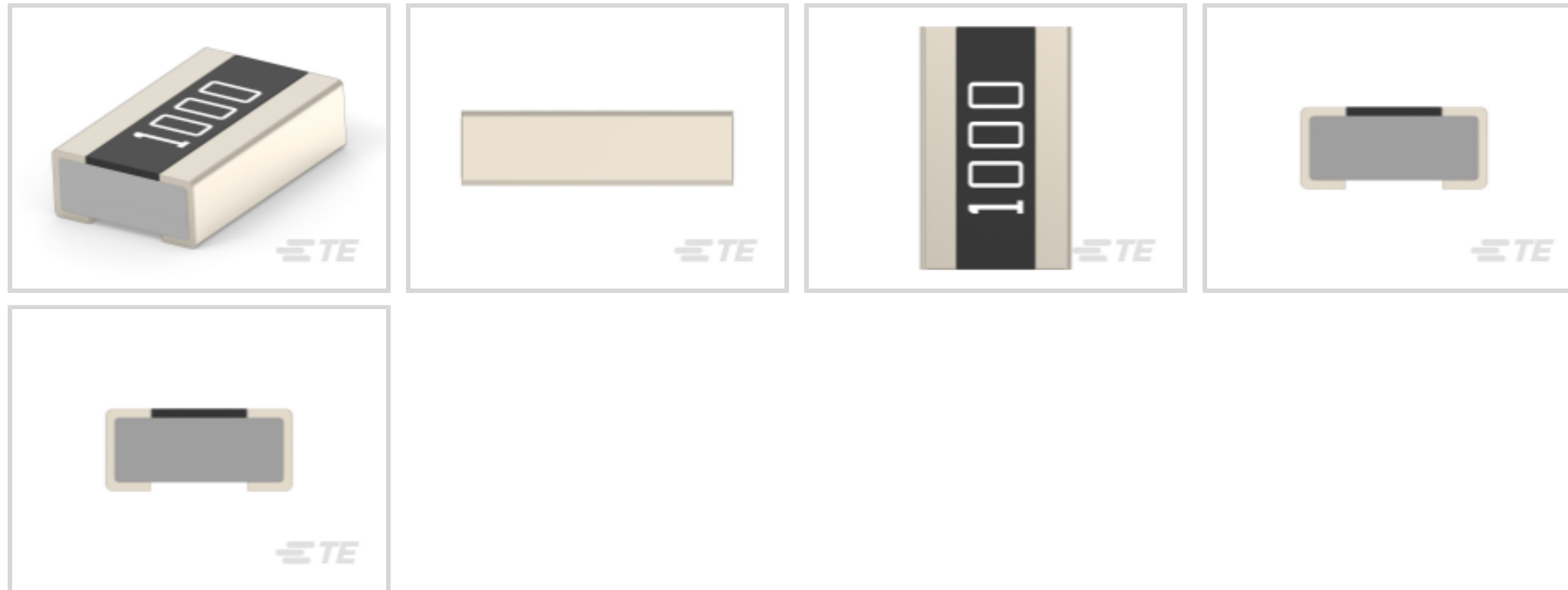
CGS | CGS 3430

TE Internal #: 2-2176555-3

100K Ω , Thick Film, Power Resistor, 1 %, 2 Termination, 0508, Taped & Reeled, 1 W, ± 100 ppm/ $^{\circ}\text{C}$, Solder, Height .022 in [.55 mm], CGS 3430

[View on TE.com >](#)

Passive Components > Resistors > Surface Mount Resistors



Resistor Type: **Power Resistor**

Number of Terminations: **2**

Package Size Code: **0508**

Packaging Method: **Taped & Reeled**

Passive Component Tolerance: **1 %**

Features

Product Type Features

| | |
|-------------------|----------------|
| Resistor Type | Power Resistor |
| Package Size Code | 0508 |
| Element Type | Thick Film |

Configuration Features

| | |
|---------------------|---|
| Number of Resistors | 1 |
|---------------------|---|

Electrical Characteristics

| | |
|-----------------------------|---------------------------|
| Operating Voltage | 200 V |
| Passive Component Tolerance | 1 % |
| Resistance Class | 1k Ω – 1M Ω |
| Resistance Value | 100K Ω |
| Power Rating | 1 W |

Termination Features

| | |
|---|--------|
| Number of Terminations | 2 |
| Surface Mount Resistor Termination Type | Solder |

Dimensions

| | |
|----------------|------------------|
| Product Height | .55 mm[.022 in] |
| Product Length | 1.25 mm[.049 in] |
| Product Width | 2 mm[.079 in] |

Usage Conditions

| | |
|-----------------------------|-----------------------------------|
| Operating Temperature Range | -55 – 155 $^{\circ}\text{C}$ |
| Temperature Coefficient | ± 100 ppm/ $^{\circ}\text{C}$ |

Packaging Features

| | |
|------------------|----------------|
| Packaging Method | Taped & Reeled |
|------------------|----------------|

Product Compliance

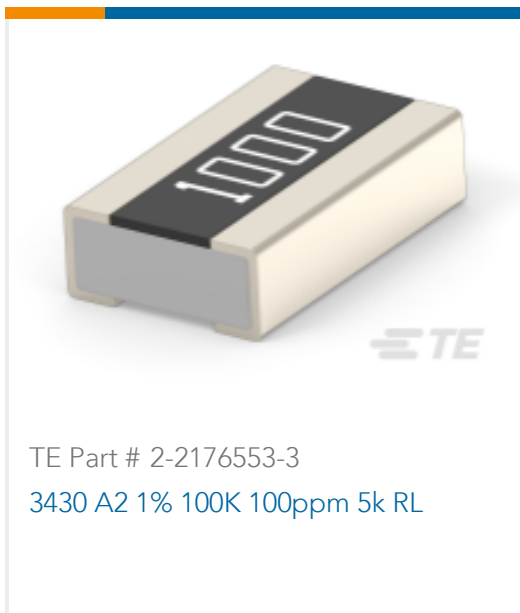
[For compliance documentation, visit the product page on TE.com>](#)

| | |
|---|---|
| EU RoHS Directive 2011/65/EU | Compliant with Exemptions |
| EU ELV Directive 2000/53/EC | Not Compliant |
| China RoHS 2 Directive MIIT Order No 32, 2016 | Restricted Materials Above Threshold |
| EU REACH Regulation (EC) No. 1907/2006 | Current ECHA Candidate List: JUNE 2023 (235) Candidate List Declared Against: JUNE 2023 (235) Does not contain REACH SVHC |
| Halogen Content | Low Halogen - Br, Cl, F, I < 900 ppm per homogenous material. Also BFR/CFR/PVC Free |
| Solder Process Capability | Reflow solder capable to 260 $^{\circ}\text{C}$ |

Product Compliance Disclaimer

This information is provided based on reasonable inquiry of our suppliers and represents our current actual knowledge based on the information they provided. This information is subject to change. The part numbers that TE has identified as EU RoHS compliant have a maximum concentration of 0.1% by weight in homogenous materials for lead, hexavalent chromium, mercury, PBB, PBDE, DBP, BBP, DEHP, DIBP, and 0.01% for cadmium, or qualify for an exemption to these limits as defined in the Annexes of Directive 2011/65/EU (RoHS2). Finished electrical and electronic equipment products will be CE marked as required by Directive 2011/65/EU. Components may not be CE marked. Additionally, the part numbers that TE has identified as EU ELV compliant have a maximum concentration of 0.1% by weight in homogenous materials for lead, hexavalent chromium, and mercury, and 0.01% for cadmium, or qualify for an exemption to these limits as defined in the Annexes of Directive 2000/53/EC (ELV). Regarding the REACH Regulation, the information TE provides on SVHC in articles for this part number is based on the latest European Chemicals Agency (ECHA) 'Guidance on requirements for substances in articles' posted at this URL: <https://echa.europa.eu/guidance-documents/guidance-on-reach>

Compatible Parts



TE Part # 2-2176553-3
3430 A2 1% 100K 100ppm 5k RL

Also in the Series | CGS 3430



Surface Mount Resistors(1168)

Customers Also Bought



TE Part #6641710001
TMS-SCE-1/4-2.0-9



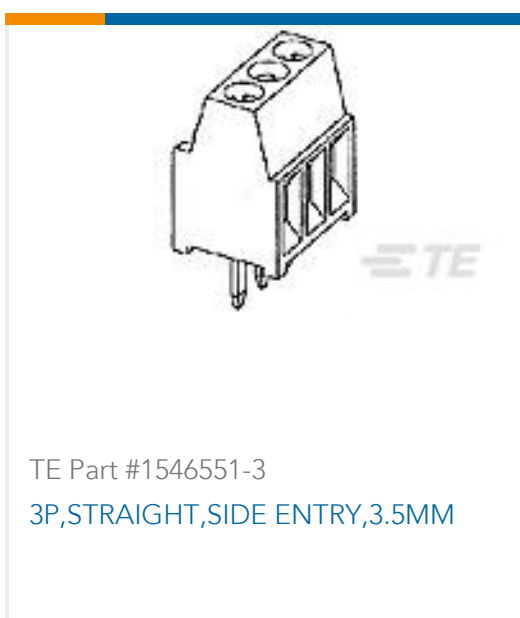
TE Part #640456-4
04P MTA100 HDR ASSY F/L SQ STR



TE Part #557721-000
TMS-RJS-RIBBON-4RPSCE



TE Part #5104338-1
A/L LOW PRO HDR 10P VERT HT



TE Part #1546551-3
3P,STRAIGHT,SIDE ENTRY,3.5MM



TE Part #3-2176316-7
MELF SMA_A 100K 0.1% 15PPM 0207 1W



TE Part #9-146257-0
80 MODII HDR DRST B/A .100CL LF



TE Part #CONSMA007
SMA Plug 50 Ohm Cable Crimp

Documents

Product Drawings

[3430 A2 1% 100K 100ppm 1k RL](#)

English

CAD Files

[Customer View Model](#)

[ENG_CVM_CVM_2-2176555-3_BA.3d_igs.zip](#)



English

Customer View Model

[ENG_CVM_CVM_2-2176555-3_BA.3d_stp.zip](#)

English

Customer View Model

[ENG_CVM_CVM_2-2176555-3_BA.2d_dxf.zip](#)

English

3D PDF

3D

By downloading the CAD file I accept and agree to the [Terms and Conditions](#) of use.

Datasheets & Catalog Pages

[Datasheet - CGS 3430 Series](#)

English

[Automotive Grade Wide Terminal Chip Resistor - Type 3430 Series](#)

English