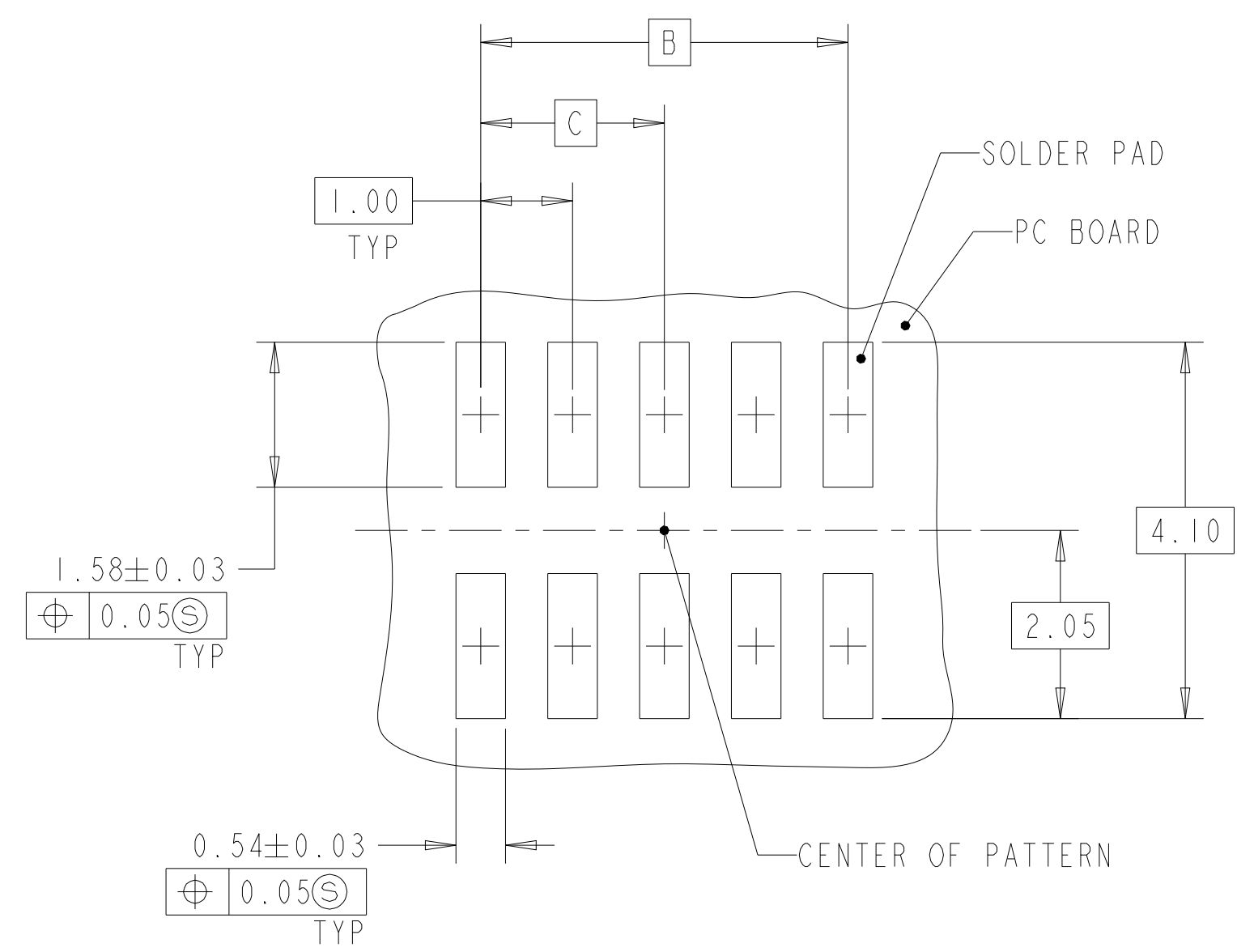
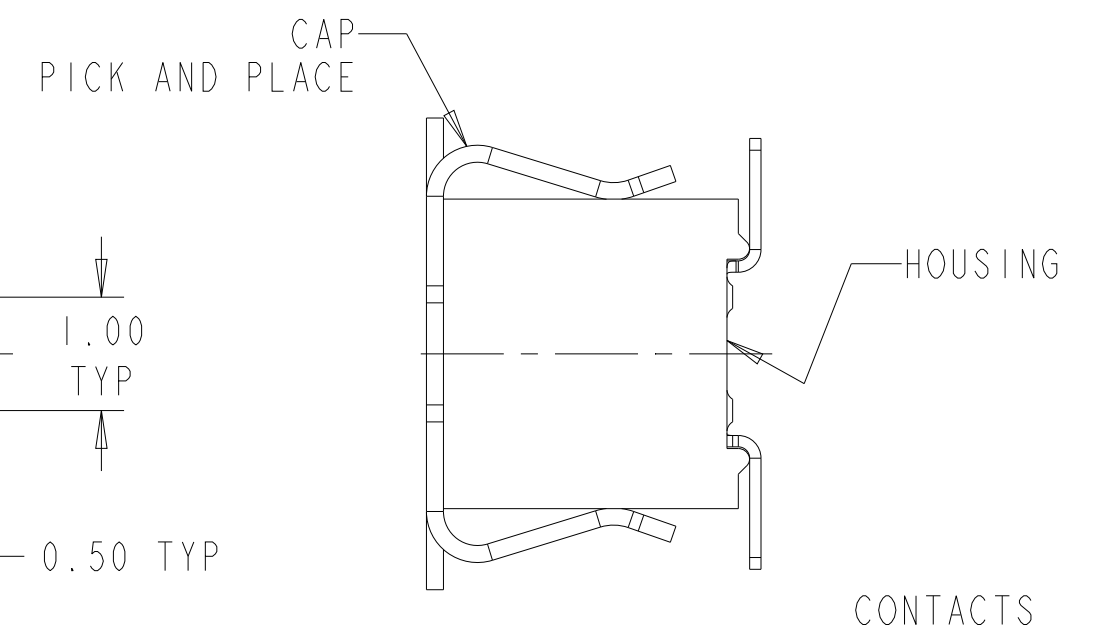
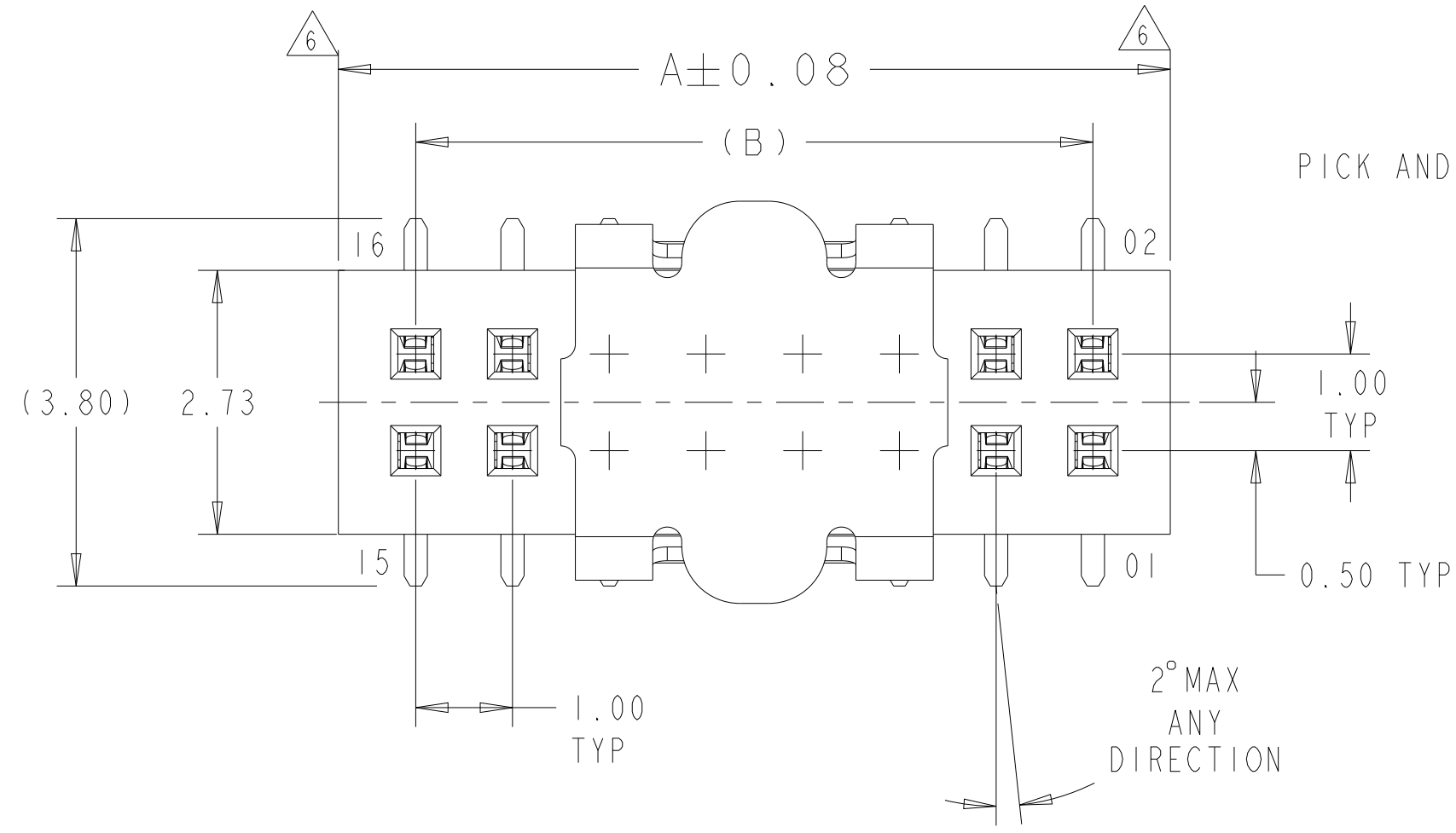


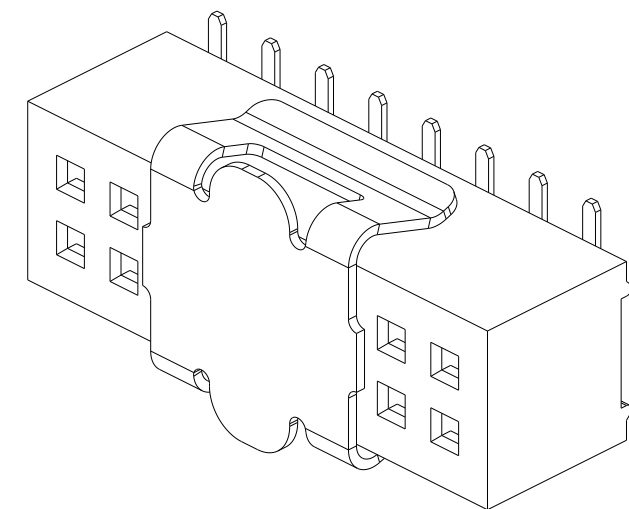
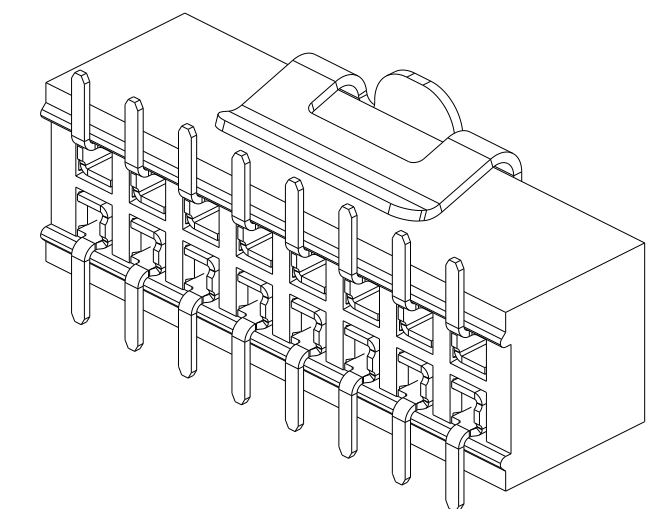
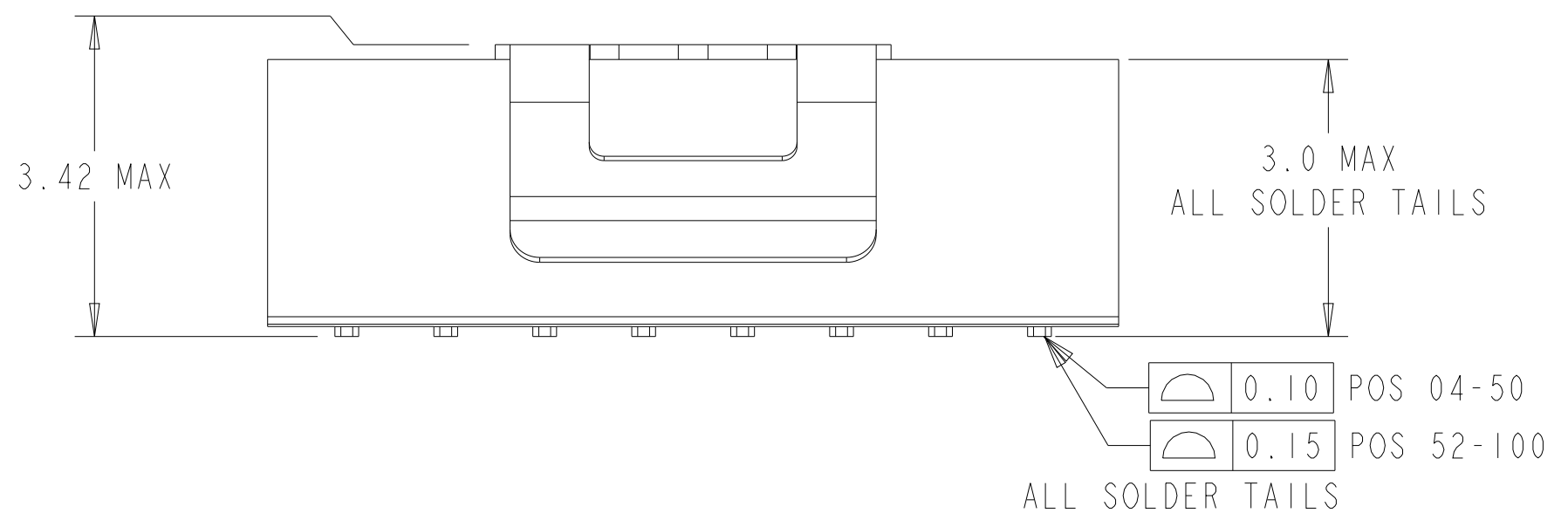
THIS DRAWING IS UNPUBLISHED. RELEASED FOR PUBLICATION 20
 © COPYRIGHT 20 BY - ALL RIGHTS RESERVED.

REVISIONS				
P	LTR	DESCRIPTION	DATE	APVD
A		INITIAL RELEASE TO PRODUCTION	25JUN2021	JPS
A1		REVISE PER ECN-22-137782	04FEB2022	JPS
A2		REVISED PER ECN-22-141903	03MAR2022	JPS
A3		REVISED PER ECN-22-176332	23SEP2022	JPS

- 1 MATERIAL:
HOUSING: UL94 V-0 RATED THERMOPLASTIC, COLOR BLACK
CONTACT: COPPER ALLOY
CAP: STAINLESS STEEL
- 2 FINISH:
CONTACTS: 0.76µm MINIMUM GOLD LOCALIZED IN CONTACT MATING AREA,
3.81µm MINIMUM MATTE-TIN LOCALIZED IN PC BOARD SOLDER AREA,
BOTH ARE OVER 1.27µm MINIMUM NICKEL
- 3 PACKAGING METHOD, TUBES
- 4 PACKAGING METHOD, TAPE AND REEL
- 5. PRODUCT HAS PASSED QUALIFICATION PER TEC 108-32154.
- 6. ALL POSITION SIZES EXCEPT 100 ARE CUT TO LENGTH, BURR POSSIBLE.
- 7. RECOMMEND TO MATE TO APPROVED TE HEADER ONLY.



RECOMMENDED PC BOARD LAYOUT
CONNECTOR SIDE SHOWN
SCALE 15:1

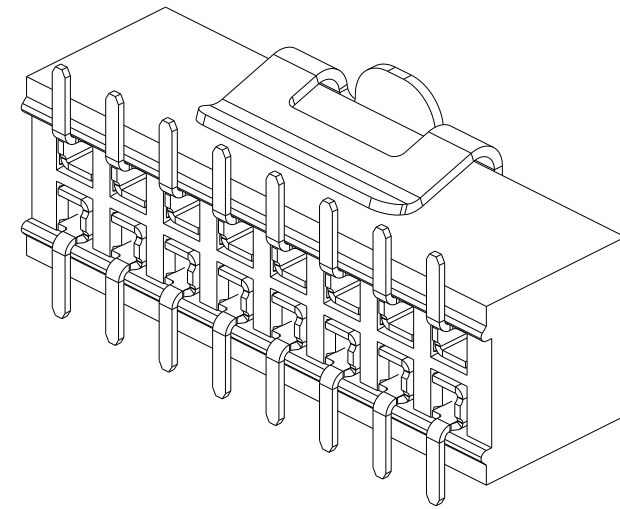


TAPE AND REEL	SEE SHEET 3
TUBE	SEE SHEET 2
PACKAGING TYPE	PART NUMBER

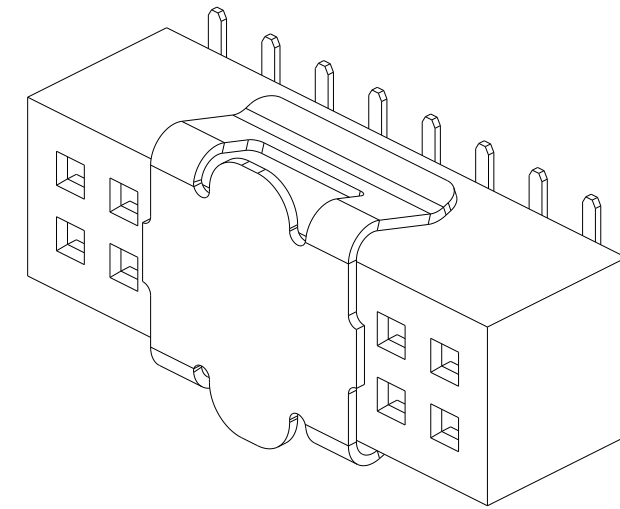
THIS DRAWING IS A CONTROLLED DOCUMENT.		DWN: RI KOLLER 15NOV2017	NAME: RECEPTACLE ASSEMBLY, DUAL ROW	
DIMENSIONS: mm		CHK: J. SCHOLZ 20NOV2017	1mm PITCH, SMT 0.76 µm AU	
TOLERANCES UNLESS OTHERWISE SPECIFIED:		APVD: -	AMPMODU SMALL CENTERLINE	
0 PLC ±		PRODUCT SPEC: 108-32154	SIZE: A2	CAGE CODE: 00779
1 PLC ±0.3		APPLICATION SPEC: 114-32329	DRAWING NO: C-2267440	RESTRICTED TO: -
2 PLC ±0.13		WEIGHT: -	SCALE: 15:1	SHEET: 1 OF 3
3 PLC ±		CUSTOMER DRAWING	REV: A3	
4 PLC ±				
ANGLES ±1°				
FINISH				

THIS DRAWING IS UNPUBLISHED. RELEASED FOR PUBLICATION 20
 © COPYRIGHT 20 BY - ALL RIGHTS RESERVED.

REVISIONS				
P	LTR	DESCRIPTION	DATE	APVD
-	-	SEE SHEET 1	-	-



SCALE 10:1



SCALE 10:1

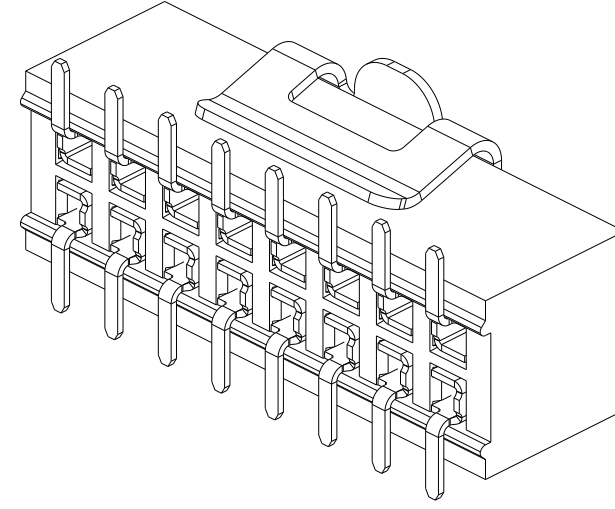
TUBE	C	B	A	NO. OF SPACES	NO. OF POSN	ALIAS P/N	PART NO.
N/A	N/A	N/A	N/A	N/A	N/A	N/A	5-2267440-0
23.50	47.00	48.60	47	96	IMM-R-D48-VS-00-H-TBP	4-2267440-8	
23.00	46.00	47.60	46	94	IMM-R-D47-VS-00-H-TBP	4-2267440-7	
22.50	45.00	46.60	45	92	IMM-R-D46-VS-00-H-TBP	4-2267440-6	
22.00	44.00	45.60	44	90	IMM-R-D45-VS-00-H-TBP	4-2267440-5	
21.50	43.00	44.60	43	88	IMM-R-D44-VS-00-H-TBP	4-2267440-4	
21.00	42.00	43.60	42	86	IMM-R-D43-VS-00-H-TBP	4-2267440-3	
20.50	41.00	42.60	41	84	IMM-R-D42-VS-00-H-TBP	4-2267440-2	
20.00	40.00	41.60	40	82	IMM-R-D41-VS-00-H-TBP	4-2267440-1	
19.50	39.00	40.60	39	80	IMM-R-D40-VS-00-H-TBP	4-2267440-0	
19.00	38.00	39.60	38	78	IMM-R-D39-VS-00-H-TBP	3-2267440-9	
18.50	37.00	38.60	37	76	IMM-R-D38-VS-00-H-TBP	3-2267440-8	
18.00	36.00	37.60	36	74	IMM-R-D37-VS-00-H-TBP	3-2267440-7	
17.50	35.00	36.60	35	72	IMM-R-D36-VS-00-H-TBP	3-2267440-6	
17.00	34.00	35.60	34	70	IMM-R-D35-VS-00-H-TBP	3-2267440-5	
16.50	33.00	34.60	33	68	IMM-R-D34-VS-00-H-TBP	3-2267440-4	
16.00	32.00	33.60	32	66	IMM-R-D33-VS-00-H-TBP	3-2267440-3	
15.50	31.00	32.60	31	64	IMM-R-D32-VS-00-H-TBP	3-2267440-2	
15.00	30.00	31.60	30	62	IMM-R-D31-VS-00-H-TBP	3-2267440-1	
14.50	29.00	30.60	29	60	IMM-R-D30-VS-00-H-TBP	3-2267440-0	
14.00	28.00	29.60	28	58	IMM-R-D29-VS-00-H-TBP	2-2267440-9	
13.50	27.00	28.60	27	56	IMM-R-D28-VS-00-H-TBP	2-2267440-8	
13.00	26.00	27.60	26	54	IMM-R-D27-VS-00-H-TBP	2-2267440-7	
12.50	25.00	26.60	25	52	IMM-R-D26-VS-00-H-TBP	2-2267440-6	

12.00	24.00	25.60	24	50	IMM-R-D25-VS-00-H-TBP	2-2267440-5
11.50	23.00	24.60	23	48	IMM-R-D24-VS-00-H-TBP	2-2267440-4
11.00	22.00	23.60	22	46	IMM-R-D23-VS-00-H-TBP	2-2267440-3
10.50	21.00	22.60	21	44	IMM-R-D22-VS-00-H-TBP	2-2267440-2
10.00	20.00	21.60	20	42	IMM-R-D21-VS-00-H-TBP	2-2267440-1
9.50	19.00	20.60	19	40	IMM-R-D20-VS-00-H-TBP	2-2267440-0
9.00	18.00	19.60	18	38	IMM-R-D19-VS-00-H-TBP	1-2267440-9
8.50	17.00	18.60	17	36	IMM-R-D18-VS-00-H-TBP	1-2267440-8
8.00	16.00	17.60	16	34	IMM-R-D17-VS-00-H-TBP	1-2267440-7
7.50	15.00	16.60	15	32	IMM-R-D16-VS-00-H-TBP	1-2267440-6
7.00	14.00	15.60	14	30	IMM-R-D15-VS-00-H-TBP	1-2267440-5
6.50	13.00	14.60	13	28	IMM-R-D14-VS-00-H-TBP	1-2267440-4
6.00	12.00	13.60	12	26	IMM-R-D13-VS-00-H-TBP	1-2267440-3
5.50	11.00	12.60	11	24	IMM-R-D12-VS-00-H-TBP	1-2267440-2
5.00	10.00	11.60	10	22	IMM-R-D11-VS-00-H-TBP	1-2267440-1
4.50	9.00	10.60	9	20	IMM-R-D10-VS-00-H-TBP	1-2267440-0
4.00	8.00	9.60	8	18	IMM-R-D09-VS-00-H-TBP	2267440-9
3.50	7.00	8.60	7	16	IMM-R-D08-VS-00-H-TBP	2267440-8
3.00	6.00	7.60	6	14	IMM-R-D07-VS-00-H-TBP	2267440-7
2.50	5.00	6.60	5	12	IMM-R-D06-VS-00-H-TBP	2267440-6
2.00	4.00	5.60	4	10	IMM-R-D05-VS-00-H-TBP	2267440-5
24.50	49.00	50.60	49	100	IMM-R-D50-VS-00-H-TBP	2267440-1

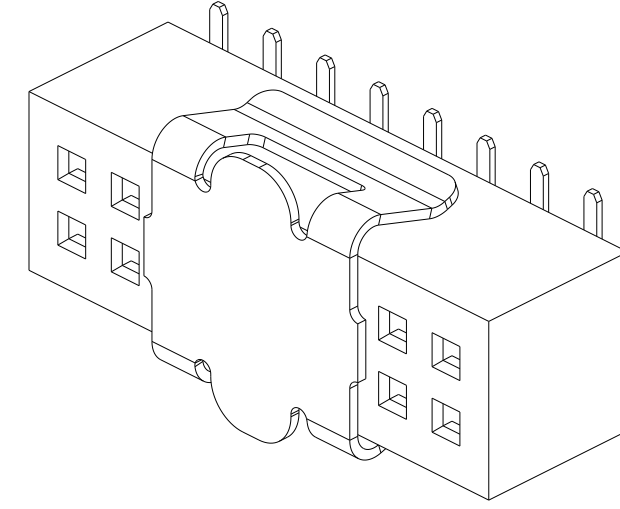
THIS DRAWING IS A CONTROLLED DOCUMENT.		DWN	15NOV2017	TE Connectivity	
		CHK	20NOV2017		
		J. SCHOLZ			
		APVD	-		
DIMENSIONS:	TOLERANCES UNLESS OTHERWISE SPECIFIED:	PRODUCT SPEC	NAME		
mm	0 PLC ±0.3	108-32154	RECEPTACLE ASSEMBLY, DUAL ROW		
	1 PLC ±0.13	APPLICATION SPEC	1mm PITCH, SMT 0.76 um AU		
	2 PLC ±0.13	114-32329	AMPMODU SMALL CENTERLINE		
	3 PLC ±	WEIGHT	SIZE	CAGE CODE	DRAWING NO
	4 PLC ±	-	A2	00779	C-2267440
MATERIAL	FINISH	CUSTOMER DRAWING	SCALE	SHEET	REV
-	-		15:1	2 OF 3	A3

THIS DRAWING IS UNPUBLISHED. RELEASED FOR PUBLICATION 20
 © COPYRIGHT 20 BY - ALL RIGHTS RESERVED.

REVISIONS				
P	LTR	DESCRIPTION	DATE	APVD
-	-	SEE SHEET 1	-	-



SCALE 10:1



SCALE 10:1

TAPE REEL	TAPE WIDTH	C	B	A	NO. OF SPACES	NO. OF POSN	ALIAS P/N	PART NO.
-	-	-	-	-	-	-	-	-
72mm	23.50	47.00	48.60	47	96	IMM-R-D48-VS-00-H-TRP	9-2267440-8	
72mm	23.00	46.00	47.60	46	94	IMM-R-D47-VS-00-H-TRP	9-2267440-7	
56mm	22.50	45.00	46.60	45	92	IMM-R-D46-VS-00-H-TRP	9-2267440-6	
56mm	22.00	44.00	45.60	44	90	IMM-R-D45-VS-00-H-TRP	9-2267440-5	
56mm	21.50	43.00	44.60	43	88	IMM-R-D44-VS-00-H-TRP	9-2267440-4	
56mm	21.00	42.00	43.60	42	86	IMM-R-D43-VS-00-H-TRP	9-2267440-3	
56mm	20.50	41.00	42.60	41	84	IMM-R-D42-VS-00-H-TRP	9-2267440-2	
56mm	20.00	40.00	41.60	40	82	IMM-R-D41-VS-00-H-TRP	9-2267440-1	
56mm	19.50	39.00	40.60	39	80	IMM-R-D40-VS-00-H-TRP	9-2267440-0	
56mm	19.00	38.00	39.60	38	78	IMM-R-D39-VS-00-H-TRP	8-2267440-9	
56mm	18.50	37.00	38.60	37	76	IMM-R-D38-VS-00-H-TRP	8-2267440-8	
56mm	18.00	36.00	37.60	36	74	IMM-R-D37-VS-00-H-TRP	8-2267440-7	
56mm	17.50	35.00	36.60	35	72	IMM-R-D36-VS-00-H-TRP	8-2267440-6	
56mm	17.00	34.00	35.60	34	70	IMM-R-D35-VS-00-H-TRP	8-2267440-5	
44mm	16.50	33.00	34.60	33	68	IMM-R-D34-VS-00-H-TRP	8-2267440-4	
44mm	16.00	32.00	33.60	32	66	IMM-R-D33-VS-00-H-TRP	8-2267440-3	
44mm	15.50	31.00	32.60	31	64	IMM-R-D32-VS-00-H-TRP	8-2267440-2	
44mm	15.00	30.00	31.60	30	62	IMM-R-D31-VS-00-H-TRP	8-2267440-1	
44mm	14.50	29.00	30.60	29	60	IMM-R-D30-VS-00-H-TRP	8-2267440-0	
44mm	14.00	28.00	29.60	28	58	IMM-R-D29-VS-00-H-TRP	7-2267440-9	
44mm	13.50	27.00	28.60	27	56	IMM-R-D28-VS-00-H-TRP	7-2267440-8	
44mm	13.00	26.00	27.60	26	54	IMM-R-D27-VS-00-H-TRP	7-2267440-7	
44mm	12.50	25.00	26.60	25	52	IMM-R-D26-VS-00-H-TRP	7-2267440-6	

TAPE REEL	TAPE WIDTH	C	B	A	NO. OF SPACES	NO. OF POSN	ALIAS P/N	PART NO.
44mm	12.00	24.00	25.60	24	50	IMM-R-D25-VS-00-H-TRP	7-2267440-5	
44mm	11.50	23.00	24.60	23	48	IMM-R-D24-VS-00-H-TRP	7-2267440-4	
44mm	11.00	22.00	23.60	22	46	IMM-R-D23-VS-00-H-TRP	7-2267440-3	
44mm	10.50	21.00	22.60	21	44	IMM-R-D22-VS-00-H-TRP	7-2267440-2	
44mm	10.00	20.00	21.60	20	42	IMM-R-D21-VS-00-H-TRP	7-2267440-1	
44mm	9.50	19.00	20.60	19	40	IMM-R-D20-VS-00-H-TRP	7-2267440-0	
32mm	9.00	18.00	19.60	18	38	IMM-R-D19-VS-00-H-TRP	6-2267440-9	
32mm	8.50	17.00	18.60	17	36	IMM-R-D18-VS-00-H-TRP	6-2267440-8	
32mm	8.00	16.00	17.60	16	34	IMM-R-D17-VS-00-H-TRP	6-2267440-7	
32mm	7.50	15.00	16.60	15	32	IMM-R-D16-VS-00-H-TRP	6-2267440-6	
24mm	7.00	14.00	15.60	14	30	IMM-R-D15-VS-00-H-TRP	6-2267440-5	
24mm	6.50	13.00	14.60	13	28	IMM-R-D14-VS-00-H-TRP	6-2267440-4	
24mm	6.00	12.00	13.60	12	26	IMM-R-D13-VS-00-H-TRP	6-2267440-3	
24mm	5.50	11.00	12.60	11	24	IMM-R-D12-VS-00-H-TRP	6-2267440-2	
24mm	5.00	10.00	11.60	10	22	IMM-R-D11-VS-00-H-TRP	6-2267440-1	
24mm	4.50	9.00	10.60	9	20	IMM-R-D10-VS-00-H-TRP	6-2267440-0	
24mm	4.00	8.00	9.60	8	18	IMM-R-D09-VS-00-H-TRP	5-2267440-9	
16mm	3.50	7.00	8.60	7	16	IMM-R-D08-VS-00-H-TRP	5-2267440-8	
16mm	3.00	6.00	7.60	6	14	IMM-R-D07-VS-00-H-TRP	5-2267440-7	
16mm	2.50	5.00	6.60	5	12	IMM-R-D06-VS-00-H-TRP	5-2267440-6	
16mm	2.00	4.00	5.60	4	10	IMM-R-D05-VS-00-H-TRP	5-2267440-5	
16mm	1.50	3.00	4.60	3	8	IMM-R-D04-VS-00-H-TRP	5-2267440-4	
16mm	1.00	2.00	3.60	2	6	IMM-R-D03-VS-00-H-TRP	5-2267440-3	
72mm	24.50	49.00	50.60	49	100	IMM-R-D50-VS-00-H-TRP	5-2267440-1	



THIS DRAWING IS A CONTROLLED DOCUMENT.

DWN: R. KOLLER 15NOV2017
 CHK: J. SCHOLZ 20NOV2017
 APVD: -

STE TE Connectivity

NAME: RECEPTACLE ASSEMBLY, DUAL ROW
 1mm PITCH, SMT 0.76 um AU
 AMPMODU SMALL CENTERLINE

PRODUCT SPEC: 108-32154
 APPLICATION SPEC: 114-32329

SIZE: A2 CAGE CODE: 00779 DRAWING NO: C-2267440 RESTRICTED TO: -

MATERIAL: - FINISH: - WEIGHT: -

CUSTOMER DRAWING SCALE: 15:1 SHEET: 3 OF 3 REV: A3