

1986775-6 ✓ ACTIVE

Buchanan

TE Internal #: 1986775-6

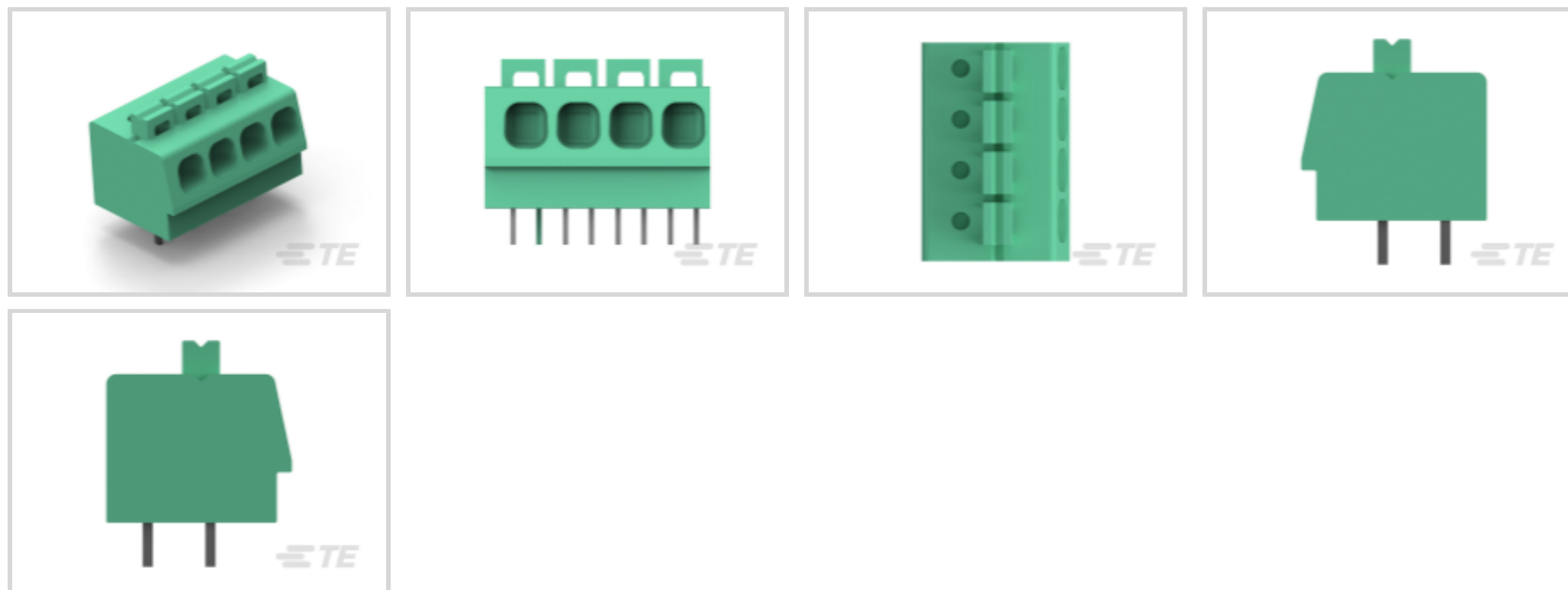
PCB Terminal Blocks, Header, Wire-to-Component, 6 Position, .2 in [5.08 mm] Centerline, 2 Row, 90° Wire Entry Angle, 20 – 1 AWG

Wire Size

[View on TE.com >](#)



Connectors > Terminal Blocks & Strips > PCB Terminal Blocks



Terminal Block Connector Type: **Header**

Connector System: **Wire-to-Component**

Number of Positions: **6**

Centerline (Pitch): **5.08 mm [.2 in]**

Number of Rows: **2**

Features

Product Type Features

| | |
|-----------------------------------|-----------------------|
| Wire Protection | With |
| Terminal Block Connector Type | Header |
| Connector System | Wire-to-Component |
| Connector & Contact Terminates To | Printed Circuit Board |

Configuration Features

| | |
|------------------------|----------------|
| Wire Entry Location | Side |
| Stacking Configuration | Side Stackable |
| Number of Positions | 6 |
| Number of Rows | 2 |
| Wire Entry Angle | 90° |

Electrical Characteristics

| | |
|-------------------|---------|
| Operating Voltage | 300 VAC |
|-------------------|---------|

Body Features

| | |
|-----------------------|-------|
| Primary Product Color | Green |
|-----------------------|-------|



| | |
|---------------------|----------|
| Product Orientation | Vertical |
|---------------------|----------|

Contact Features

| | |
|--------------------------------------|--------------|
| Contact Mating Area Plating Material | Tin |
| Contact Base Material | Copper Alloy |
| Contact Current Rating (Max) | 15 A |

Termination Features

| | |
|---|--------------------------|
| Termination Post & Tail Length | 3.5 mm[.138 in] |
| Termination Method to Printed Circuit Board | Through Hole - Solder |
| Termination Method to Wire & Cable | Push-in, Spring Terminal |

Mechanical Attachment

| | |
|-------------------------|-------------|
| Connector Mounting Type | Board Mount |
|-------------------------|-------------|

Housing Features

| | |
|--------------------|----------------|
| Housing Material | PA 66 |
| Centerline (Pitch) | 5.08 mm[.2 in] |

Dimensions

| | |
|-----------|-------------------------|
| Wire Size | .5 – 41 mm ² |
|-----------|-------------------------|

Usage Conditions

| | |
|-----------------------------|----------------------------|
| Operating Temperature Range | -40 – 110 °C[-40 – 230 °F] |
|-----------------------------|----------------------------|

Operation/Application

| | |
|---------------------|----------------|
| Circuit Application | Power & Signal |
|---------------------|----------------|

Packaging Features

| | |
|--------------------|---------|
| Packaging Quantity | 100 |
| Packaging Method | Package |

Product Compliance

[For compliance documentation, visit the product page on TE.com>](#)

| | |
|---|--|
| EU RoHS Directive 2011/65/EU | Compliant |
| EU ELV Directive 2000/53/EC | Compliant |
| China RoHS 2 Directive MIIT Order No 32, 2016 | No Restricted Materials Above Threshold |
| EU REACH Regulation (EC) No. 1907/2006 | Current ECHA Candidate List: JUNE 2023 (235) |



Candidate List Declared Against: JUNE 2022 (224)

Does not contain REACH SVHC

Halogen Content

Low Halogen - Br, Cl, F, I < 900 ppm per homogenous material. Also BFR/CFR/PVC Free

Solder Process Capability

Not reviewed for solder process capability

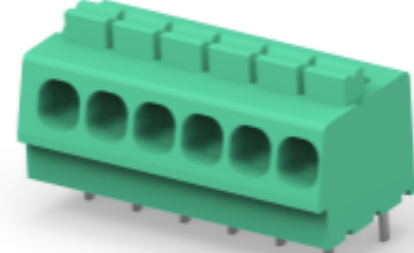
Product Compliance Disclaimer

This information is provided based on reasonable inquiry of our suppliers and represents our current actual knowledge based on the information they provided. This information is subject to change. The part numbers that TE has identified as EU RoHS compliant have a maximum concentration of 0.1% by weight in homogenous materials for lead, hexavalent chromium, mercury, PBB, PBDE, DBP, BBP, DEHP, DIBP, and 0.01% for cadmium, or qualify for an exemption to these limits as defined in the Annexes of Directive 2011/65/EU (RoHS2). Finished electrical and electronic equipment products will be CE marked as required by Directive 2011/65/EU. Components may not be CE marked. Additionally, the part numbers that TE has identified as EU ELV compliant have a maximum concentration of 0.1% by weight in homogenous materials for lead, hexavalent chromium, and mercury, and 0.01% for cadmium, or qualify for an exemption to these limits as defined in the Annexes of Directive 2000/53/EC (ELV). Regarding the REACH Regulation, the information TE provides on SVHC in articles for this part number is based on the latest European Chemicals Agency (ECHA) 'Guidance on requirements for substances in articles' posted at this URL: <https://echa.europa.eu/guidance-documents/guidance-on-reach>

Compatible Parts



TE Part # 1986712-6
SCREWLESS, SW,6P,5.08 PCB



TE Part # 1986774-6
SCREWLESS, SW,6P,5.0 PCB, Low Amp



TE Part # 1986816-6
PCB SPRNG SIDE ENTRY HITEMP TB 5.08MM 6P

Customers Also Bought



TE Part #5177986-5
0.8FH,P05H.5,120,08/Sn,TR,SC



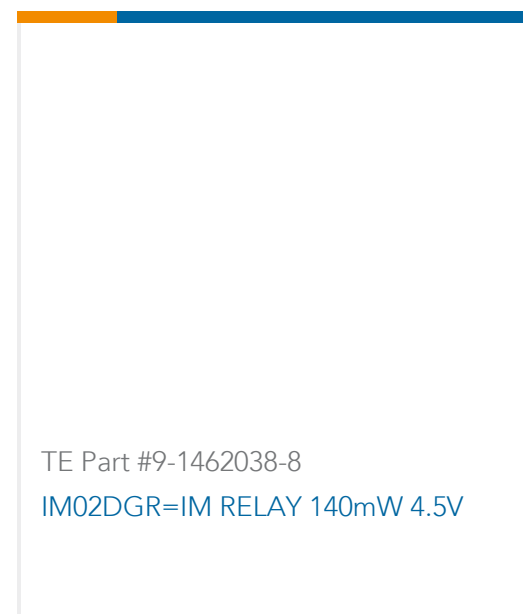
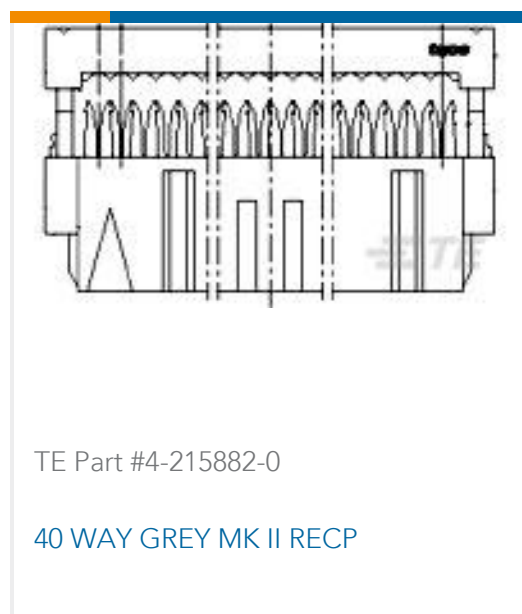
TE Part #5177986-3
0.8FH,P05H.5,080,08/Sn,TR,SC



TE Part #8-188275-0
MICRO-MATCH SMD FTE



TE Part #1-794617-4
14POS,MICRO MNL,RCPT HSG



Documents

Product Drawings

[SCREWLESS, SW,6P,5.08 PCB, Low Amp](#)

English

CAD Files

[3D PDF](#)

3D

Customer View Model

[ENG_CVM_CVM_1986775-6_B.2d_dxf.zip](#)

English

Customer View Model

[ENG_CVM_CVM_1986775-6_B.3d_igs.zip](#)

English

Customer View Model

[ENG_CVM_CVM_1986775-6_B.3d_stp.zip](#)

English

By downloading the CAD file I accept and agree to the [Terms and Conditions](#) of use.

Datasheets & Catalog Pages

[BUCHANAN TERMINAL BLOCKS CATALOG - EUROSTYLE TERMINAL BLOCKS](#)

English

Agency Approvals

[UL](#)

English