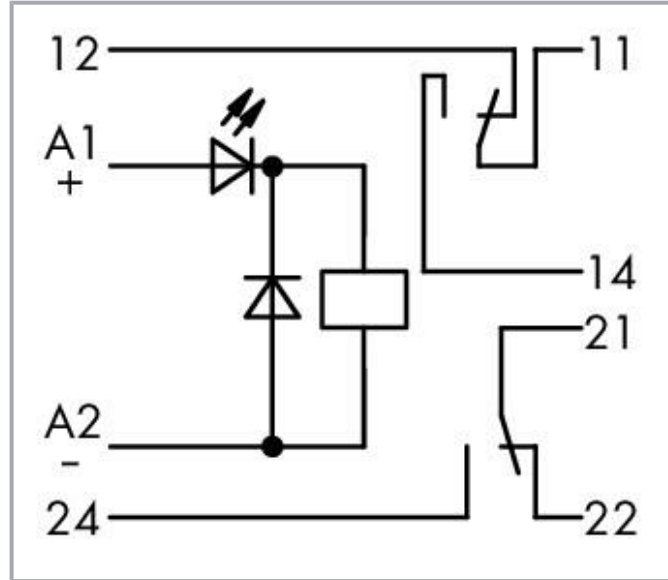
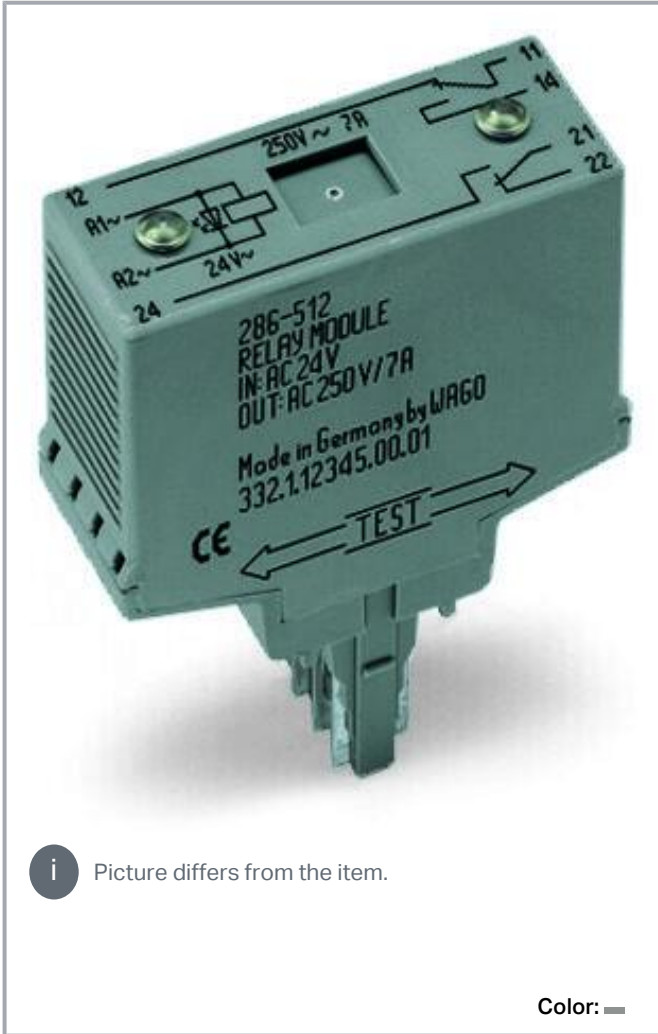


Data sheet | Item number: 286-312

Relay module; Nominal input voltage: 24 VDC; 2 changeover contacts;
Limiting continuous current: 7 A; Red status indicator; Module width: 20 mm;
gray



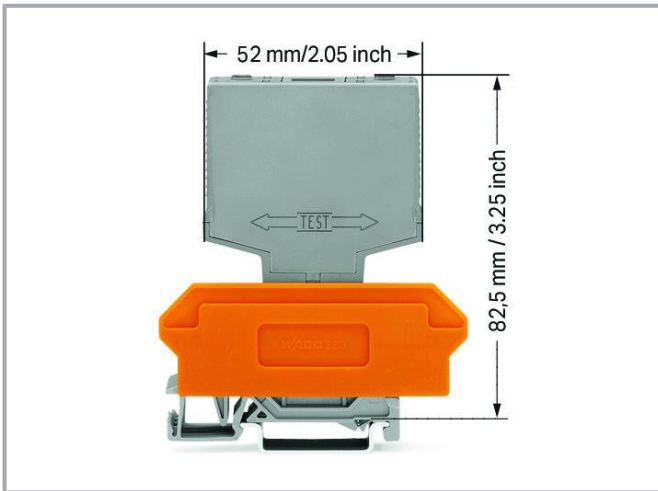
www.wago.com/286-312



Subject to changes. Please also observe the further product documentation!

WAGO GmbH & Co. KG
Hansastr. 27
32423 Minden
Phone: +49571 887-0 | Fax: +49571 887-169
Email: info.de@wago.com | Web: www.wago.com

Do you have any questions about our products?
We are always happy to take your call at +49 (571) 887-44222.



Data

Technical data

Control circuit

Nominal input voltage U_N	DC 24 V
Input voltage range	$\pm 10\%$
Nominal input current at U_N	22 mA

Load circuit

Number of changeover/switchover contacts	2
Contact material (relay)	AgNi 0.15
Limiting continuous current	7 A
Switching voltage (max.)	AC 250 V
Switching power (resistive) max.	AC 1750 VA
Pull-in time (typ.)	18 ms
Drop-out time (typ.)	3 ms
Bounce time (typ.)	2 ms
Electrical life (NO; resistive load; 23 °C)	100 x 10 ³ switching operations
Mechanical life	30 x 10 ⁶ switching operations

Signaling

Status indicator	Red LED
------------------	---------

Subject to changes. Please also observe the further product documentation!

Safety and protection

Rated voltage	250 V
Rated surge voltage	4 kV
Pollution degree	2
Dielectric strength (control/load circuit) (AC, 1 min)	2 kVrms
Dielectric strength (open contact) (AC, 1 min)	1 kVrms
Dielectric strength (load/load circuit) (AC, 1 min)	1.5 kVrms
Protection type	IP20

Physical data

Width	20 mm / 0.787 inches
Height from upper-edge of DIN-rail	82.5 mm / 3.248 inches
Depth	52 mm / 2.047 inches

Mechanical data

Mounting type	Pluggable module for receptacle terminal blocks
---------------	---

Material data

Color	gray
Fire load	0.412 MJ
Weight	39.6 g

Environmental requirements

Ambient temperature (operation at U_N)	-25 ... +40 °C
Ambient temperature (storage)	-25 ... +70 °C
Processing temperature	-25 ... +50 °C
Relative humidity	5 ... 85 % (no condensation permissible)
Operating altitude (max.)	2000 m

Standards and specifications

Standards/specifications	EN 60664-1
--------------------------	------------

Commercial data

Product Group	6 (INTERFACE ELECTRONIC)
eCl@ss 10.0	27-37-16-01

Subject to changes. Please also observe the further product documentation!



eCl@ss 9.0	27-37-16-01
ETIM 8.0	EC001437
ETIM 7.0	EC001437
Recupel Type	
ECCN	NO DATA
PU (SPU)	10 (1) pcs
Packaging type	box
Country of origin	DE
GTIN	4045454427986
Customs tariff number	85364900990

Environmental Product Compliance

CAS-No.	7439-92-1 79-94-7
REACH Candidate List Substance	2,2',6,6'-tetrabromo-4,4'-isopropylidenediphenol Lead
RoHS Compliance Status	Compliant,With Exemption
RoHS Exemption	7(a) 7(c)-I
SCIP notification number (Austria)	86f44f9f-82f0-41d6-a503-1729fec3d12a
SCIP notification number (Belgium)	30e73ea9-bf79-47c9-a626-fc7dd71d79ba
SCIP notification number (Bulgaria)	0d888b10-ba7a-4daf-ac6b-166d44106eec
SCIP notification number (Czech Republic)	9faccd2a-6838-4858-a016-bcadfda0ed36
SCIP notification number (Denmark)	4b519ec2-d88f-4923-ba21-66526dab623c
SCIP notification number (Finland)	5cd13514-e0d7-479f-a4d5-ea086b01e171
SCIP notification number (France)	0f7b5fb5-bc85-40e4-9d2b-a3bf1f9b010f
SCIP notification number (Germany)	80af79bc-86fa-4967-8977-b6c49aa70477
SCIP notification number (Hungary)	cfda50cc-840a-4960-8d5f-af8605dd8d77
SCIP notification number (Italy)	18a7a23c-effd-473f-9622-fa1b516e1644
SCIP notification number (Netherlands)	d65ed1dd-f77b-4fd6-88f5-4048d144b645
SCIP notification number (Poland)	116def87-268a-4a2c-a4c1-035eef1217d1
SCIP notification number (Romania)	7f60db94-8363-4912-a302-fbfa4a2baa38
SCIP notification number (Sweden)	b388c426-10b0-42a5-ace5-18897e258763

Approvals / Certificates

General approvals

Logo	Approval	Additional Approval Text	Certificate name

Subject to changes. Please also observe the further product documentation!

WAGO GmbH & Co. KG
 Hansastr. 27
 32423 Minden
 Phone: +49571 887-0 | Fax: +49571 887-169
 Email: info.de@wago.com | Web: www.wago.com

Do you have any questions about our products?
 We are always happy to take your call at +49 (571) 887-44222.



EAC
Brjansker Zertifizierungsstelle

TP TC 004/2011

EAC RU C-
DE.AM02.
B.00122
/19

Optional accessories

Marking accessories

Marker



Item no.: 209-701

WSB marking card; as card; not stretchable; plain; snap-on type; white

www.wago.com/209-701

Terminal blocks

Terminal block for pluggable modules



Item no.: 280-628

Terminal block for pluggable modules; 8-pole; with 4-conductor terminal blocks; with orange separator; www.wago.com/280-628 for DIN-rail 35 x 15 and 35 x 7.5; 2.5 mm²; CAGE CLAMP®; 2,50 mm²; gray



Item no.: 280-638

Terminal block for pluggable modules; 8-pole; with 2-conductor terminal blocks; with orange separator; www.wago.com/280-638 for DIN-rail 35 x 15 and 35 x 7.5; 2.5 mm²; CAGE CLAMP®; 2,50 mm²; gray



Item no.: 280-764

Terminal block for pluggable modules; 8-pole; with 4-conductor terminal blocks; with marker carrier; www.wago.com/280-764 with orange separator; for DIN-rail 35 x 15 and 35 x 7.5; 2.5 mm²; CAGE CLAMP®; 2,50 mm²; gray

Downloads

Documentation

Bid Text

286-312 X81 - Datei	2019 Feb 19	xml 3.9 kB	Download
------------------------	-------------	---------------	----------

286-312 doc - Datei	2018 Mar 22	doc 27.6 kB	Download
------------------------	-------------	----------------	----------

Instruction Leaflet

		pdf 1.3 MB	Download
--	--	---------------	----------

Additional Information

Disposal and Recycling Electrical and electronic equipment, Batteries, Packaging	V 1.1.0 2022 Aug 18	pdf 2.2 MB	Download
---	------------------------	---------------	----------

Subject to changes. Please also observe the further product documentation!

WAGO GmbH & Co. KG
Hansastr. 27
32423 Minden
Phone: +49571 887-0 | Fax: +49571 887-169
Email: info.de@wago.com | Web: www.wago.com

Do you have any questions about our products?
We are always happy to take your call at +49 (571) 887-44222.

CAD/CAE-Data

CAE data

WSCAD Universe 286-312	URL	Download
------------------------	---------------------	--------------------------

ZUKEN Portal 286-312	URL	Download
----------------------	---------------------	--------------------------

CAD data

2D/3D Models 286-312	URL	Download
----------------------	---------------------	--------------------------

Asset Administration Shell

Asset Administration Shell 286-312	URL	Download
------------------------------------	---------------------	--------------------------

Environmental Product Compliance

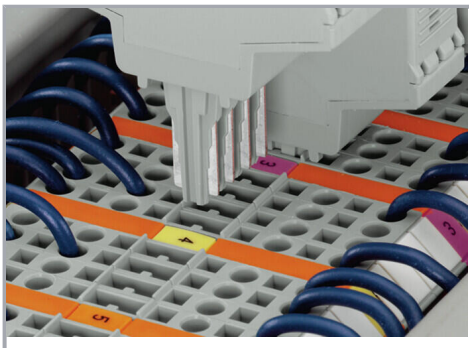
Compliance Search

Environmental Product Compliance 286-312	URL	Download
--	---------------------	--------------------------

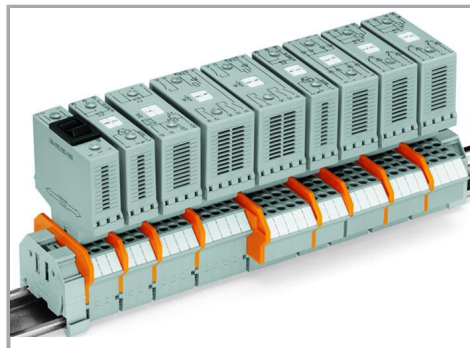
Relay module; Nominal input voltage: 24 VDC; 2 changeover contacts; Limiting continuous current: 7 A; Red status indicator; Module width: 20 mm; gray

Installation Notes

Installation



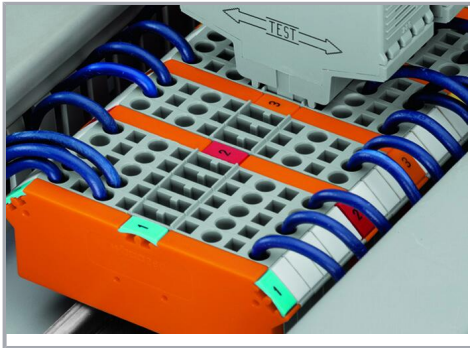
Coding ensures correct polarity.



Pluggable electronic modules on 2- or 4-conductor carrier terminal blocks

Marking

Subject to changes. Please also observe the further product documentation!



Marking via WMB Multi Marking System.

Testing



Function testing via touch-proof test slots

Subject to changes. Please also observe the further product documentation!