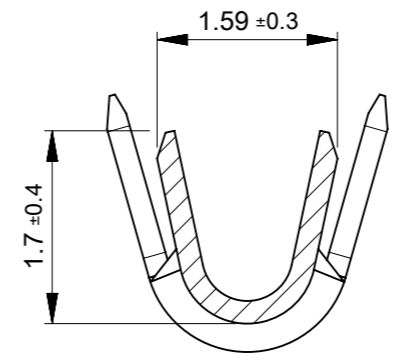
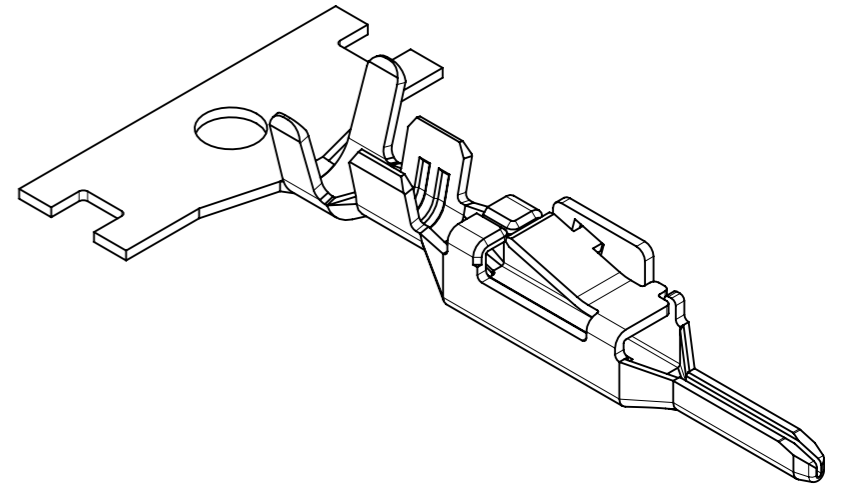
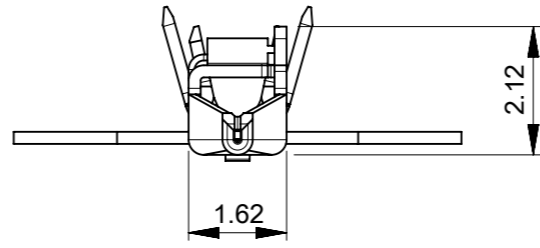


SECTION Y-Y



SECTION Z-Z



注記 :

NOTES :

- ① 材質及び仕上げ(めっき仕様) : TABLE 1参照  
MATERIAL AND FINISHES : SEE TABLE 1
- ② 製品仕様書、コネクタ取扱説明書、適合嵌合相手、適合ハウジングはSHEET 2をご参照ください。  
PLEASE REFER TO SHEET 2 FOR PRODUCT SPECIFICATION, APPLICATION SPECIFICATION, MATE WITH AND APPLICABLE HOUSING.

① TABLE 1

部品 PART	材質 MATERIAL	
ターミナル TERMINAL	母材 BASE METAL	銅合金 COPPER ALLOY
	めっき PLATING	錫めっき:0.7 MICROMETER MINIMUM リフロー処理(前めっき) MATTE TIN : 0.7 MICROMETER MINIMUM REFLOW TREATMENT (PRE-PLATING)
DOCUMENT STATUS	P1	RELEASE DATE 2022/03/01 04:24:06

Ø0.9-1.5mm	AWG#22-#26	リール REEL	2137201000	連鎖状 CHAIN
絶縁被覆外径範囲 INSULATION RANGE	適合電線範囲 WIRE RANGE	梱包形態 PACKAGING	発注番号 ORDER NUMBER	端子形状 FORM

THIS DRAWING CONTAINS INFORMATION THAT IS PROPRIETARY TO MOLEX ELECTRONIC TECHNOLOGIES, LLC AND SHOULD NOT BE USED WITHOUT WRITTEN PERMISSION		CURRENT REV DESC:		<b>molex</b>		
DIMENSION UNITS	SCALE	EC NO: 682237				
mm	NTS	DRWN: SOKUMURA01 2020/07/13		PRODUCT CUSTOMER DRAWING		
GENERAL TOLERANCES (UNLESS SPECIFIED)		CHK'D: SAKIYAMA 2022/02/18		DOCUMENT NUMBER		
ANGULAR TOL ± 3.0 °		APPR: LZENG 2022/03/01		2137200000-SD		
4 PLACES ± 0.2	INITIAL REVISION:		DRWN: SOKUMURA01 2020/07/13		DOC TYPE	DOC PART
3 PLACES ± 0.2	DRWN: SOKUMURA01 2022/03/01		APPR: LZENG		PSD	000
2 PLACES ± 0.2	DRAFT WHERE APPLICABLE MUST REMAIN WITHIN DIMENSIONS		THIRD ANGLE PROJECTION		REVISION	
1 PLACE ± 0.2	DRAWING		SERIES		A	
0 PLACES ± 0.2	A3-SIZE		213720		SHEET NUMBER	
MATERIAL NUMBER		CUSTOMER		SEE CHART GENERAL 1 OF 2		

△ 2 適合製品及び各種仕様書 APPLICABLE PRODUCTS AND VARIOUS SPECIFICATIONS

梱包仕様書 PACKAGING SPECIFICATION	2137209200-SPK PS 200
適合プラグハウジング シリーズ番号 APPLICABLE PLUG HOUSING SERIES NUMBER	213719
適合嵌合相手 シリーズ番号 MATE WITH SERIES NUMBER	505570
製品仕様書 PRODUCT SPECIFICATION	5055700003-PS PS 000
コネクタ取扱説明書 APPLICATION SPECIFICATION	5055700001 PS A03

製品嵌合図は適合プラグハウジング図面を参照のこと。  
MATING VIEW : REFER TO APPLICABLE PLUG HOUSING DRAWING.

THIS DRAWING CONTAINS INFORMATION THAT IS PROPRIETARY TO MOLEX ELECTRONIC TECHNOLOGIES, LLC AND SHOULD NOT BE USED WITHOUT WRITTEN PERMISSION										
DIMENSION UNITS	SCALE	CURRENT REV DESC:					<b>molex</b>			
mm	NTS									
GENERAL TOLERANCES (UNLESS SPECIFIED)							MICRO-LOCK PLUS 2.0 W/W PLUG TERMINAL			
ANGULAR TOL	± 3.0 °						PRODUCT CUSTOMER DRAWING			
4 PLACES	± 0.2	EC NO: 682237								
3 PLACES	± 0.2	DRWN: SOKUMURA01	2020/07/13							
2 PLACES	± 0.2	CHK'D: SAKIYAMA	2022/02/18							
1 PLACE	± 0.2	APPR: LZENG	2022/03/01							
0 PLACES	± 0.2	INITIAL REVISION:				DOCUMENT NUMBER		DOC TYPE	DOC PART	REVISION
		DRWN: SOKUMURA01	2020/07/13			2137200000-SD		PSD	000	A
		APPR: LZENG	2022/03/01							
DRAFT WHERE APPLICABLE MUST REMAIN WITHIN DIMENSIONS		THIRD ANGLE PROJECTION	DRAWING	SERIES	MATERIAL NUMBER	CUSTOMER		SHEET NUMBER		
			A3-SIZE	213720	SEE SHEET 1	GENERAL		2 OF 2		