

THIS DRAWING IS UNPUBLISHED.

RELEASED FOR PUBLICATION

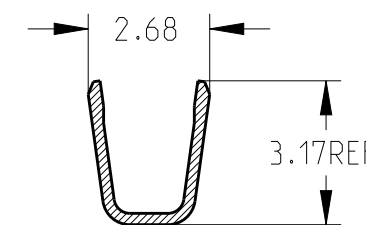
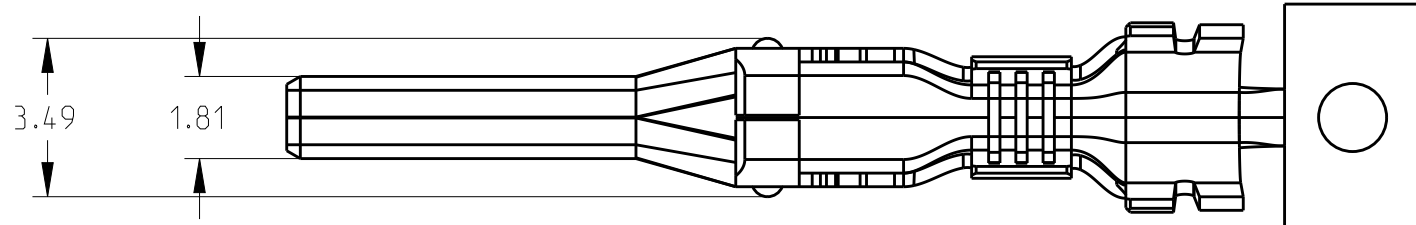
© COPYRIGHT 19 BY -

ALL RIGHTS RESERVED.

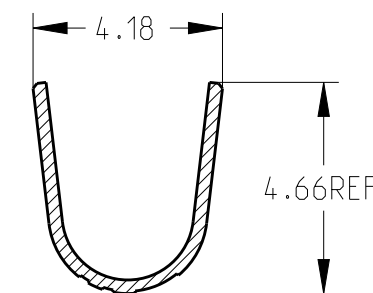
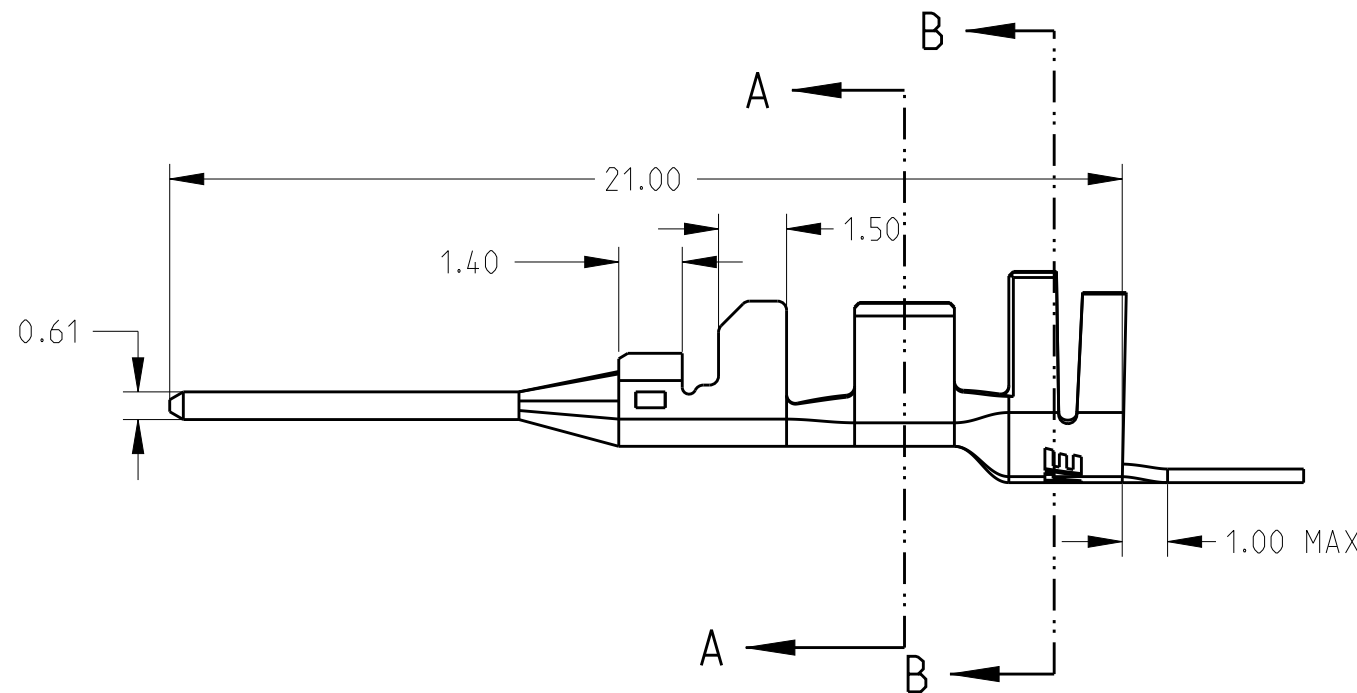
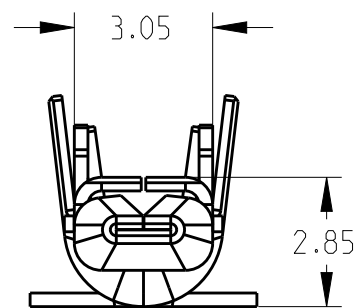
LOC ES DIST 00

REVISIONS

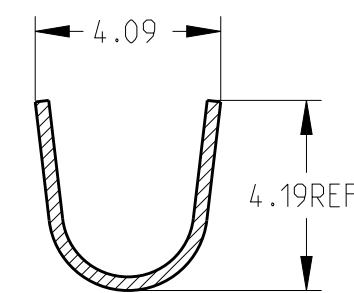
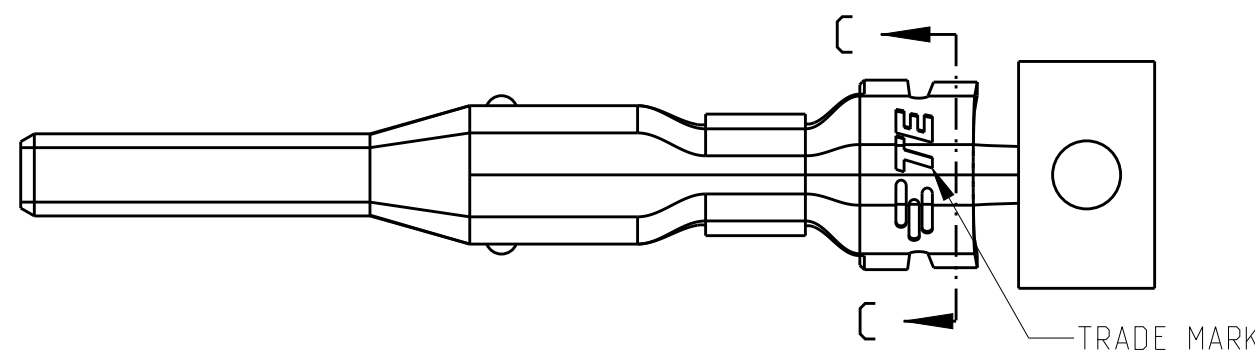
| P | LTR | DESCRIPTION | DATE | DWN | APVD |
|---|-----|----------------------------|----------|-----|------|
| | A2 | RELEASED PER ECR-19-003481 | 14 JUN19 | N.L | D.Z |



SECTION A-A

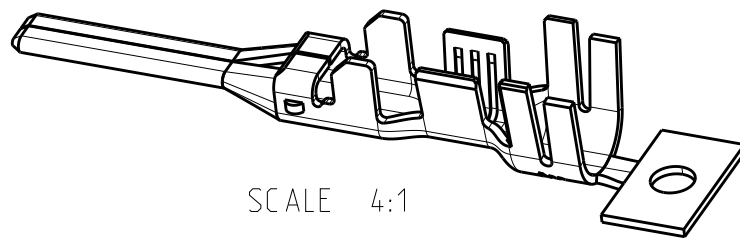


SECTION B-B



SECTION C-C

| | |
|--------------|-------------|
| 4000PCS/REEL | 3-1983661-1 |
| 5000PCS/REEL | 1983661-1 |
| UNIT PKG QTY | PART NO. |



SCALE 4:1

NOTE:

1. MATERIAL: COPPER ALLOY. PRE-TINNED
2. APPLICABLE HOUSING P/N: 1983658-*, 1983659-*
3. APPLICABLE WIRE RANGE: 16~20AWG

THIS DRAWING IS A CONTROLLED DOCUMENT.

| DIMENSIONS: | TOLERANCES UNLESS OTHERWISE SPECIFIED: |
|-------------|--|
| mm | |
| | 0 PLC ± |
| | 1 PLC ±1.0 |
| | 2 PLC ±0.50 |
| | 3 PLC ±0.300 |
| | 4 PLC ±0.2000 |
| | ANGLES ± |
| MATERIAL - | FINISH - |

| | | |
|------------------|------------|-----------|
| DWN | LEO LIU | 19AUG2011 |
| CHK | HAPYE WU | 19AUG2011 |
| APVD | ERIC KONG | 19AUG2011 |
| PRODUCT SPEC | 108-106071 | |
| APPLICATION SPEC | 114-106071 | |
| WEIGHT | - | |
| CUSTOMER DRAWING | | |

| | | | |
|-----------------|-----------|--------------|---------------|
| TE Connectivity | | | |
| | | | |
| SIZE | CAGE CODE | DRAWING NO | RESTRICTED TO |
| A3 | - | ©=1983661 | - |
| SCALE N/A | | SHEET 1 OF 1 | REV A2 |