

1871132-4 ✓ ACTIVE

[Dynamic Series](#) | [Dynamic 7000 Series](#)

TE Internal #: 1871132-4

Socket Contact, Gold, 16 – 14 AWG Wire Size, 1.23 – 2.27 mm<sup>2</sup>

Wire Size, Power, -67 – 221 °F [-55 – 105 °C], Dynamic 7000 Series

[View on TE.com >](#)



[Connectors](#) > [Contacts](#) > [Connector Contacts](#) > [Contact: Component To Wire; 55-60A, 16-6 Wire Size](#)



Contact Type: **Socket**

Contact Mating Area Plating Material: **Gold**

Wire Size: **1.23 – 2.27 mm<sup>2</sup>**

Product Terminates To: **Wire & Cable**

**All Contact: Component To Wire; 55-60A, 16-6 Wire Size (10)**

## Features

### Contact Features

Mating Pin Diameter	6.28 mm[.25 in]
Contact Type	Socket
Contact Mating Area Plating Material	Gold
Contact Current Rating (Max)	65 A

### Termination Features

Product Terminates To	Wire & Cable
-----------------------	--------------

### Dimensions

Wire Size	1.23 – 2.27 mm <sup>2</sup>
-----------	-----------------------------

### Usage Conditions

Operating Temperature Range	-55 – 105 °C[-67 – 221 °F]
-----------------------------	----------------------------

### Operation/Application

Circuit Application	Power
---------------------	-------

### Packaging Features

Packaging Method	Box & Tray
------------------	------------

## Product Compliance

[For compliance documentation, visit the product page on TE.com>](#)



EU RoHS Directive 2011/65/EU	Compliant
EU ELV Directive 2000/53/EC	Compliant
China RoHS 2 Directive MIIT Order No 32, 2016	No Restricted Materials Above Threshold
EU REACH Regulation (EC) No. 1907/2006	Current ECHA Candidate List: JUNE 2023 (235) Candidate List Declared Against: JUNE 2023 (235) Does not contain REACH SVHC
Halogen Content	Low Halogen - Br, Cl, F, I < 900 ppm per homogenous material. Also BFR/CFR/PVC Free
Solder Process Capability	Not applicable for solder process capability

Product Compliance Disclaimer

This information is provided based on reasonable inquiry of our suppliers and represents our current actual knowledge based on the information they provided. This information is subject to change. The part numbers that TE has identified as EU RoHS compliant have a maximum concentration of 0.1% by weight in homogenous materials for lead, hexavalent chromium, mercury, PBB, PBDE, DBP, BBP, DEHP, DIBP, and 0.01% for cadmium, or qualify for an exemption to these limits as defined in the Annexes of Directive 2011/65/EU (RoHS2). Finished electrical and electronic equipment products will be CE marked as required by Directive 2011/65/EU. Components may not be CE marked. Additionally, the part numbers that TE has identified as EU ELV compliant have a maximum concentration of 0.1% by weight in homogenous materials for lead, hexavalent chromium, and mercury, and 0.01% for cadmium, or qualify for an exemption to these limits as defined in the Annexes of Directive 2000/53/EC (ELV). Regarding the REACH Regulation, the information TE provides on SVHC in articles for this part number is based on the latest European Chemicals Agency (ECHA) 'Guidance on requirements for substances in articles' posted at this URL: <https://echa.europa.eu/guidance-documents/guidance-on-reach>

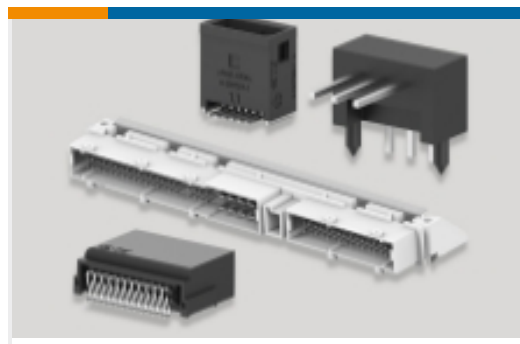
## Compatible Parts



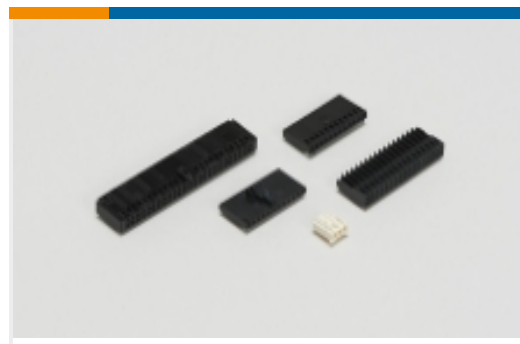
Also in the Series | [Dynamic 7000 Series](#)



Connector Contacts(10)



PCB Headers & Receptacles(1)



Wire-to-Board Connector Assemblies & Housings(8)

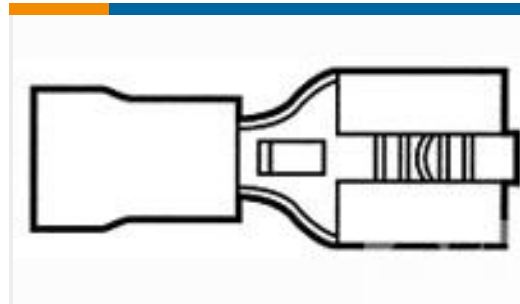
## Customers Also Bought



TE Part #206037-1  
CPC PLUG ASSEMBLY SIZE 17-16



TE Part #1-179958-4  
DYNAMIC D-5200S REC HSG 4P K/X



TE Part #640905-1  
RECEPT, PIDG FASTON 16-14 250



TE Part #843036-000  
101A031-3-0



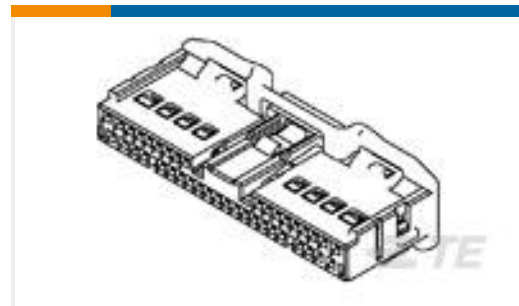
TE Part #350778-1  
02P UMNL CAP HSG



TE Part #DTM06-12SA  
PLG, 12P, GRY, N, A



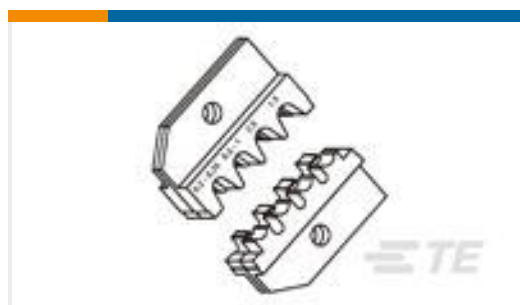
TE Part #DT06-2S-E008  
PLG, 2P, GRY, N, XCAP



TE Part #1827842-1  
0.50 SERIES CONN 40POS PLUG ASSY TYPE-A



TE Part #6-1379731-3  
18pos MQS .63 header 90deg THR



TE Part #539756-2  
DIE SPT

## Documents

### Product Drawings

[DYNAMIC D7 SOCKET CONT ASSY AG PL #14-16](#)

Japanese

### CAD Files

[3D PDF](#)

3D

[Customer View Model](#)

[ENG\\_CVM\\_CVM\\_1871132-4\\_C\\_c-1871132-4-c.2d\\_dxf.zip](#)



English

**Customer View Model**

[ENG\\_CVM\\_CVM\\_1871132-4\\_C\\_c-1871132-4-c.3d\\_igs.zip](#)

English

**Customer View Model**

[ENG\\_CVM\\_CVM\\_1871132-4\\_C\\_c-1871132-4-c.3d\\_stp.zip](#)

English

By downloading the CAD file I accept and agree to the [Terms and Conditions](#) of use.

---

**Datasheets & Catalog Pages**

[1-1773732-4\\_DYNAMIC\\_SERIES\\_CATALOG\\_ENGLISH](#)

Japanese

[1-1773732-4\\_DYNAMIC\\_SERIES\\_CATALOG\\_ENGLISH](#)

English

---

**Product Specifications**

[Application Specification](#)

Japanese

---

**Agency Approvals**

[TUV Certificate](#)

English