



VAL-U-LOK

TE Internal #: 1586316-3

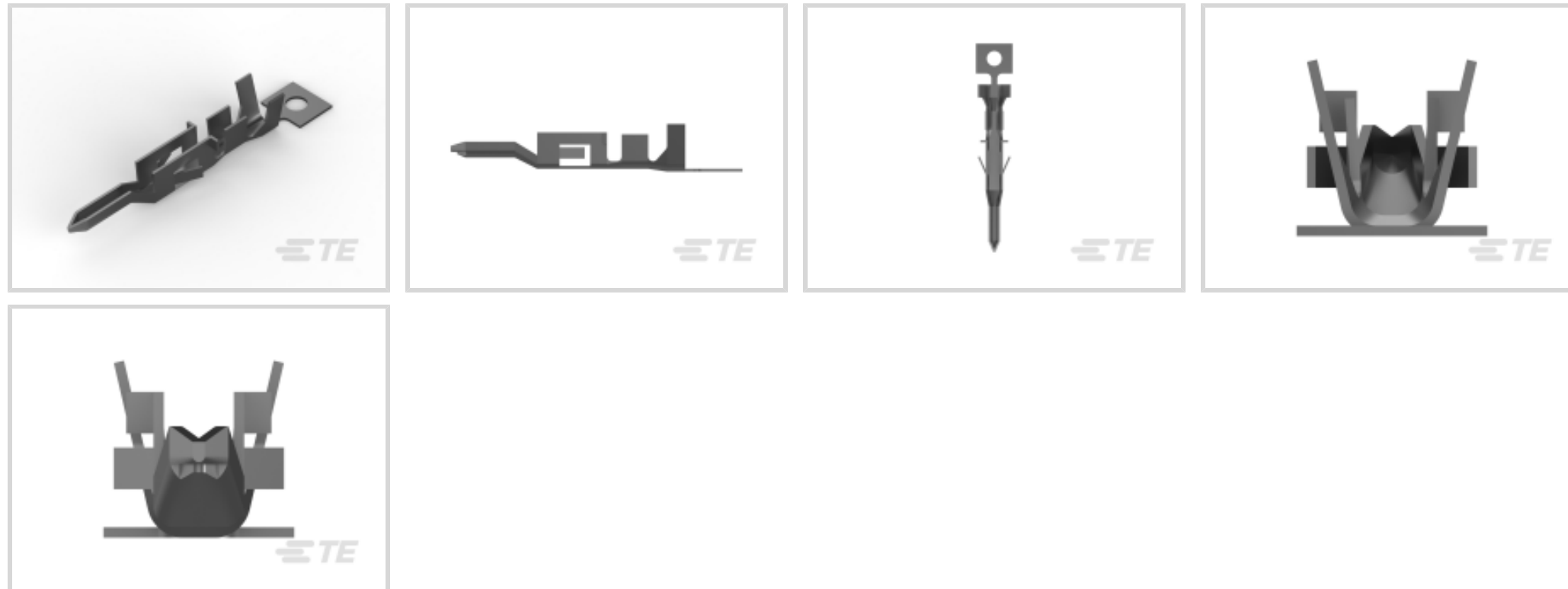
Pin Contact, Tin, 600 VAC, 26 – 22 AWG Wire Size, .13 – .33 mm²

Wire Size, Crimp, Phosphor Bronze, Power, -40 – 221 °F [-40 – 105 °

C]

[View on TE.com >](#)

Connectors > Contacts > Connector Contacts



Contact Type: **Pin**

Contact Mating Area Plating Material: **Tin**

Wire Contact Termination Area Plating Material: **Pre-Tin**

Operating Voltage: **600 VAC**

Contact Retention Within Housing: **With**

Features

Electrical Characteristics

Operating Voltage	600 VAC
-------------------	---------

Contact Features

Mating Square Post Dimension	1.14 mm[.045 in]
Contact Fabrication	Stamped & Formed
Wire Contact Termination Area Plating Thickness	2.54 µm[100 µin]
Wire Contact Termination Area Plating Material Finish	Bright
Contact Orientation	Straight
Contact Type	Pin
Contact Mating Area Plating Material	Tin
Wire Contact Termination Area Plating Material	Pre-Tin
Contact Retention Within Housing	With
Contact Base Material	Phosphor Bronze
Contact Current Rating (Max)	9 A

Termination Features



Termination Method to Wire & Cable	Crimp
------------------------------------	-------

Product Terminates To	Wire & Cable
-----------------------	--------------

Mechanical Attachment

Wire Insulation Support	Without
-------------------------	---------

Dimensions

Compatible Insulation Diameter Range	1.19 – 1.75 mm [.047 – .069 in]
--------------------------------------	---------------------------------

Wire Size	.13 – .33 mm ²
-----------	---------------------------

Usage Conditions

Operating Temperature Range	-40 – 105 °C [-40 – 221 °F]
-----------------------------	-----------------------------

Operation/Application

Circuit Application	Power
---------------------	-------

Industry Standards

Compatible With Agency/Standards Products	CSA, UL
---	---------

UL Flammability Rating	UL 94V-0, UL 94V-2
------------------------	--------------------

Packaging Features

Packaging Quantity	500
--------------------	-----

Packaging Method	Loose Piece
------------------	-------------

Product Compliance

[For compliance documentation, visit the product page on TE.com>](#)

EU RoHS Directive 2011/65/EU	Compliant
------------------------------	-----------

EU ELV Directive 2000/53/EC	Compliant
-----------------------------	-----------

China RoHS 2 Directive MIIT Order No 32, 2016	No Restricted Materials Above Threshold
---	---

EU REACH Regulation (EC) No. 1907/2006	Current ECHA Candidate List: JUNE 2023 (235) Candidate List Declared Against: JUNE 2023 (235) Does not contain REACH SVHC
--	---

Halogen Content	Low Halogen - Br, Cl, F, I < 900 ppm per homogenous material. Also BFR/CFR/PVC Free
-----------------	---

Solder Process Capability	Not applicable for solder process capability
---------------------------	--

Product Compliance Disclaimer

This information is provided based on reasonable inquiry of our suppliers and represents our current actual knowledge based on the information they provided. This information is subject to change. The part numbers that TE has identified as EU RoHS compliant have a maximum concentration of 0.1% by weight in homogenous materials for lead, hexavalent chromium, mercury, PBB, PBDE, DBP, BBP, DEHP, DIBP, and 0.01% for cadmium, or qualify for an exemption to these limits as defined in the Annexes of Directive 2011/65/EU (RoHS2). Finished electrical and electronic equipment products will be CE marked as required by Directive 2011/65/EU. Components may not be CE marked. Additionally, the part numbers that TE has identified as EU ELV compliant have a maximum concentration of 0.1% by weight in homogenous materials for lead, hexavalent chromium, and mercury, and 0.01% for cadmium, or qualify for an exemption to these limits as defined in the Annexes of Directive 2000/53/EC (ELV). Regarding the REACH Regulation, the information TE provides on SVHC in articles for this part number is based on the latest European Chemicals Agency (ECHA) 'Guidance on requirements for substances in articles' posted at this URL: <https://echa.europa.eu/guidance-documents/guidance-on-reach>

Compatible Parts



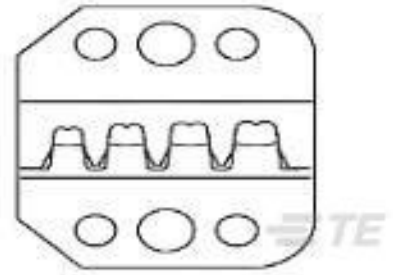
TE Part # 91387-1
PRO-CRIMPER TOOL & DIE



TE Part # 2394312-1
SDE F PIN 22-26 ASSY



TE Part # 2394312-2
SDE F PIN 22-26 DIE SET



TE Part # 91387-2
PRO-CRIMPER DIE(ONLY)

Customers Also Bought



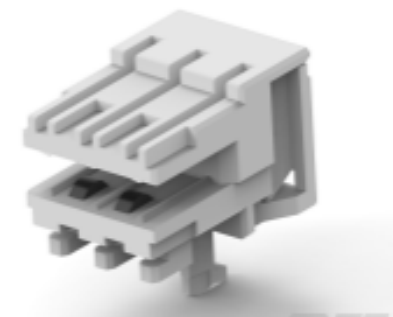
TE Part #213847-1
POWERBAND CONT ASSY,SILVER PLT



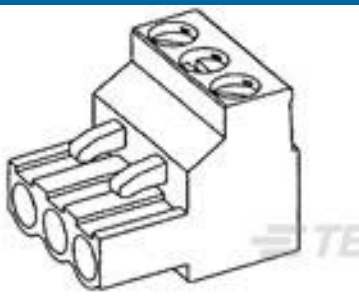
TE Part #175151-2
AMP UNIVE. POWER CONN REC CONT



TE Part #2-66101-0
III+ SKT,18-16,TIN,SMPACK



TE Part #1534796-2
AMP DUOPLUG MK2 CONNECTOR 2P




TE Part #1-796641-5
15 POS 5.0 MM R/A PLUG,TRM BLK



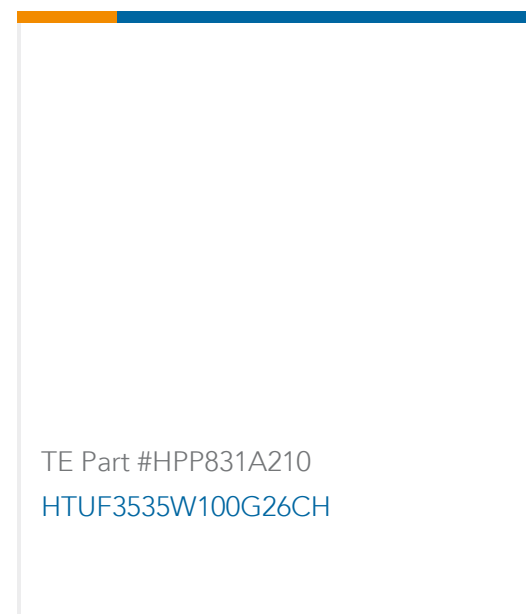
TE Part #2822388-1
.070 ECONOSEAL-J MARK 2+ PLUG ASSY 1P



TE Part #81117-000
LS509-51 Liquid Level Sensor



TE Part #GA10K3D1054-240
PRO4-10K OHMS +/-1% 240° PROBE



Documents

Product Drawings

[VAL-U-LOK PIN PHBZ SN 26-22 LP](#)

English

CAD Files

Customer View Model

[ENG_CVM_1586316-3_A.3d_igs.zip](#)

English

Customer View Model

[ENG_CVM_1586316-3_A.3d_stp.zip](#)

English

Customer View Model

[ENG_CVM_1586316-3_A.2d_dxf.zip](#)

English

[3D PDF](#)

3D

By downloading the CAD file I accept and agree to the [Terms and Conditions](#) of use.

Datasheets & Catalog Pages

[SOFT_SHELL_PIN_AND_SOCKET_CONNECTORS_CATALOG](#)

English

Product Specifications

[Application Specification](#)

English