

1326032-2 ✓ ACTIVE



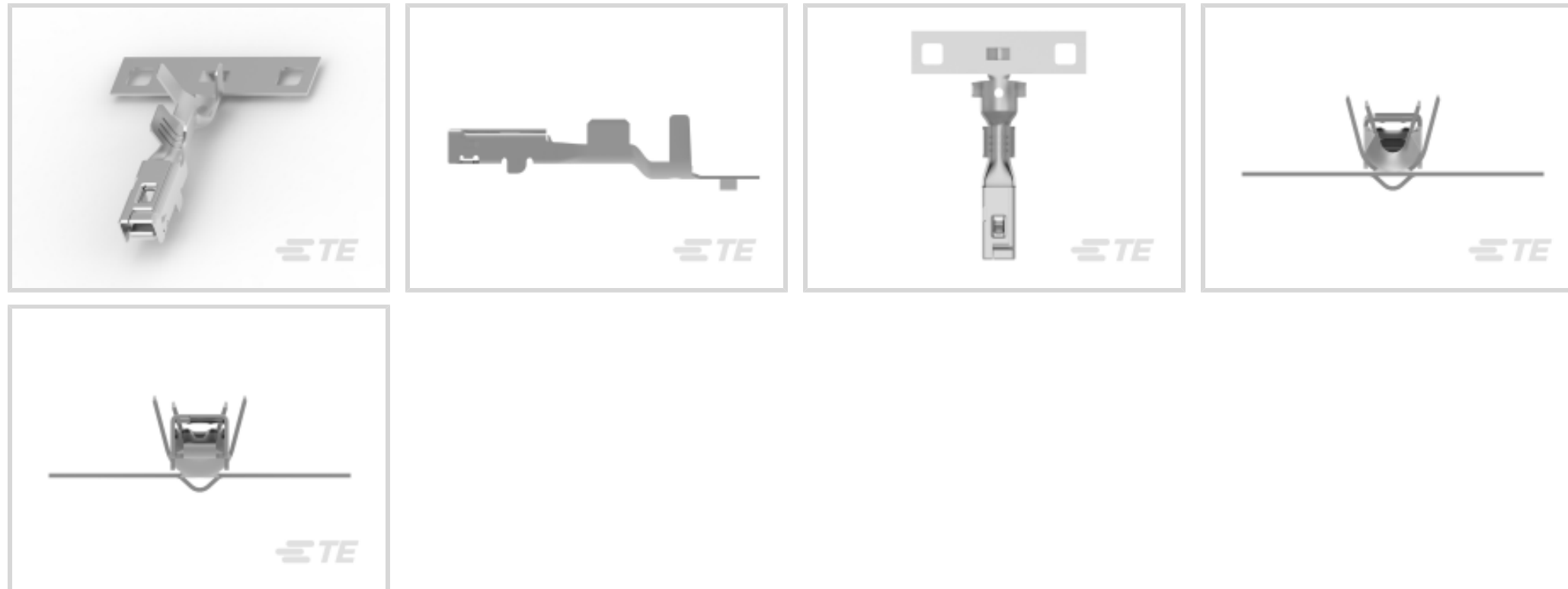
### 1.5/2.8 Connector System

TE Internal #: 1326032-2

Automotive Terminals, Receptacle, Mating Tab Width 2.8 mm [.11 in], Tab Thickness .8 mm [.031 in], 20 AWG Wire Size, 1.5/2.8 Connector System

[View on TE.com >](#)

Terminals & Splices > Automotive Terminals > 1.5/2.8 CONNECTOR SYSTEM, RECPT AND TAB



Terminal Type: **Receptacle**

Mating Tab Width: **2.8 mm [.11 in]**

Mating Tab Thickness: **.8 mm [.031 in]**

Terminal Transmits: **0 – 24 A (Low Power)**

Wire Size: **20 AWG**

[All 1.5/2.8 CONNECTOR SYSTEM, RECPT AND TAB \(39\)](#)

## Features

### Product Type Features

Receptacle Style	180°
Sealable	Yes

### Body Features

Terminal Seal Type	Single Wire Seal (SWS)
--------------------	------------------------

### Contact Features

Contact Size	2.8mm
Contact Fabrication	Stamped & Formed
Wire Contact Termination Area Plating Material	Tin
Typical Current Rating	10 A
Crimp Type	F-Crimp
Terminal Type	Receptacle
Mating Tab Width	2.8 mm [.11 in]



Mating Tab Thickness	.8 mm[.031 in]
----------------------	----------------

Interface Plating	Tin (Sn)
-------------------	----------

### Termination Features

Termination Method to Wire & Cable	Crimp
------------------------------------	-------

Product Terminates To	Wire
-----------------------	------

### Dimensions

Compatible Insulation Diameter Range	1.4 – 1.85 mm[.055 – .073 in]
--------------------------------------	-------------------------------

Wire Size	.5 mm <sup>2</sup>
-----------	--------------------

Wire Size Search	20 AWG
------------------	--------

### Usage Conditions

Insulation Option	Uninsulated
-------------------	-------------

Operating Temperature (Max)	80 °C, 85 °C, 90 °C, 100 °C, 105 °C, 110 °C, 120 °C, 125 °C[176 °F][185 °F][194 °F][212 °F][221 °F][230 °F][248 °F][257 °F]
-----------------------------	---

Operating Temperature Range	-40 – 125 °C[-40 – 257 °F]
-----------------------------	----------------------------

### Packaging Features

Packaging Quantity	3000
--------------------	------

Packaging Method	Reel
------------------	------

### Other

Terminal Transmits	0 – 24 A (Low Power)
--------------------	----------------------

### Product Compliance

[For compliance documentation, visit the product page on TE.com>](#)

EU RoHS Directive 2011/65/EU	Compliant
------------------------------	-----------

EU ELV Directive 2000/53/EC	Compliant
-----------------------------	-----------

China RoHS 2 Directive MIIT Order No 32, 2016	No Restricted Materials Above Threshold
---	---

EU REACH Regulation (EC) No. 1907/2006	Current ECHA Candidate List: JUNE 2023 (235) Candidate List Declared Against: JUNE 2023 (235) Does not contain REACH SVHC
--	---

Halogen Content	Low Halogen - Br, Cl, F, I < 900 ppm per homogenous material. Also BFR/CFR/PVC Free
-----------------	---

Solder Process Capability	Not applicable for solder process capability
---------------------------	--

Product Compliance Disclaimer

This information is provided based on reasonable inquiry of our suppliers and represents our current actual knowledge based on the information they provided. This information is subject to change. The part numbers that TE has identified as EU RoHS compliant have a maximum concentration of 0.1% by weight in homogenous materials for lead, hexavalent chromium, mercury, PBB, PBDE, DBP, BBP, DEHP, DIBP, and 0.01% for cadmium, or qualify for an exemption to these limits as defined in the Annexes of Directive 2011/65/EU (RoHS2). Finished electrical and electronic equipment products will be CE marked as required by Directive 2011/65/EU. Components may not be CE marked. Additionally, the part numbers that TE has identified as EU ELV compliant have a maximum concentration of 0.1% by weight in homogenous materials for lead, hexavalent chromium, and mercury, and 0.01% for cadmium, or qualify for an exemption to these limits as defined in the Annexes of Directive 2000/53/EC (ELV). Regarding the REACH Regulation, the information TE provides on SVHC in articles for this part number is based on the latest European Chemicals Agency (ECHA) 'Guidance on requirements for substances in articles' posted at this URL: <https://echa.europa.eu/guidance-documents/guidance-on-reach>

## Compatible Parts



TE Part # 1452299-1  
FEM HSG INLI.ASY12P



TE Part # 1326031-2  
2.8MM BLD,SEAL,20AWG



TE Part # CAT-M8793-CH8172  
MQS, CONNECTOR HOUSING



TE Part # 1438841-1  
34WAY IN-LINE PLUG ASSY, INDEX A



TE Part # 1732175-1  
2+5 Sealed Connector Ass'y



TE Part # 1732175-2  
2+5 Sealed Connector Ass'y



TE Part # 1732175-3  
2+5 Sealed Connector Ass'y



TE Part # 4-2203654-6  
34WAY IN-LINE PLUG ASSY, INDEX A



TE Part # 1-1326328-2  
46P Plug Assy,EBC440,RightH,2Slot, No2.8



TE Part # 1456570-6  
SUB-ASSY,PLUG,2.8/6.3,38 WAY,ABS



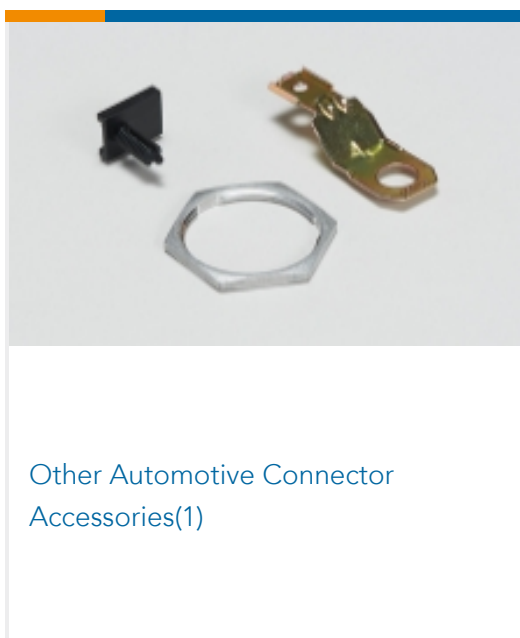
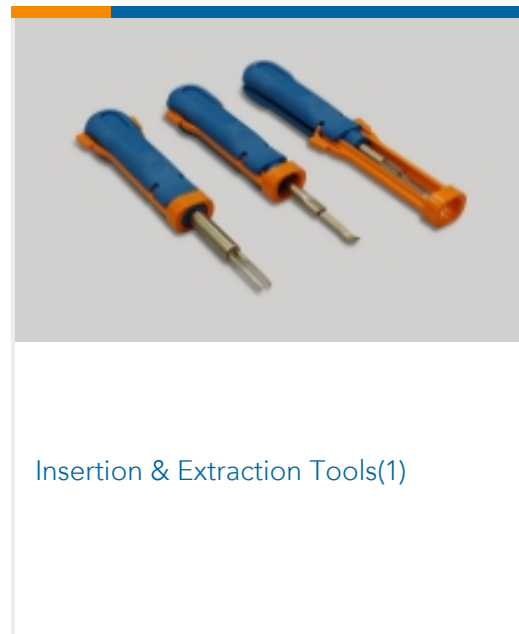
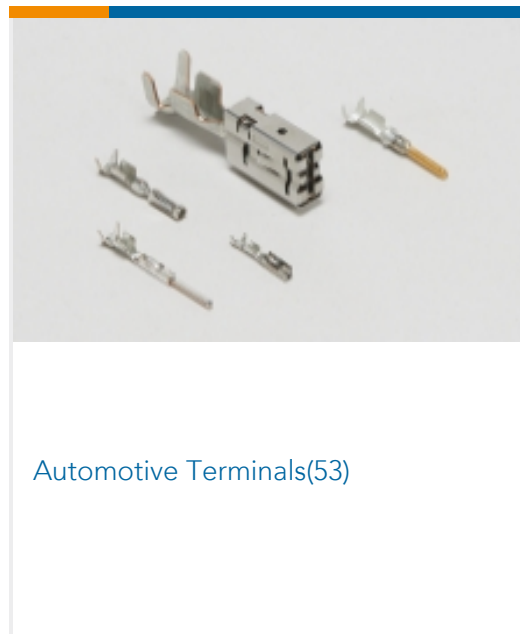
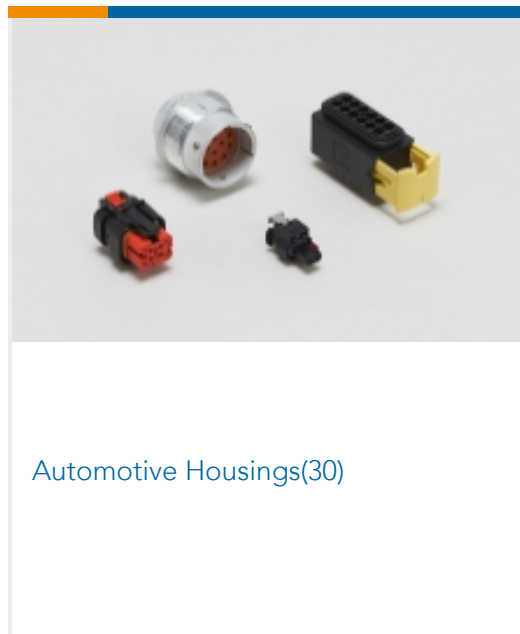
TE Part # 1-1326327-1  
46P PLUG ASSY,EBC440,RIGHT H, 1SLOT,NO2.8



TE Part # 1-1456570-6  
SUB-ASSY,PLUG,2.8/6.3,38 WAY,ABS

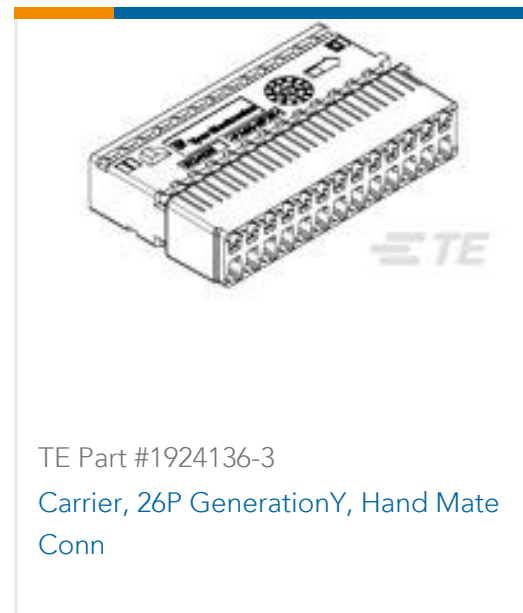


Also in the Series | 1.5/2.8 Connector System



Customers Also Bought





## Documents

### Product Drawings

[2.8MM RECP,SEAL,20AWG](#)

English

### CAD Files

[3D PDF](#)

3D

Customer View Model

[ENG\\_CVM\\_CVM\\_1326032-2\\_K.2d\\_dxf.zip](#)

English

Customer View Model

[ENG\\_CVM\\_CVM\\_1326032-2\\_K.3d\\_igs.zip](#)

English

Customer View Model

[ENG\\_CVM\\_CVM\\_1326032-2\\_K.3d\\_stp.zip](#)

English

By downloading the CAD file I accept and agree to the [Terms and Conditions](#) of use.

### Product Specifications

[Application Specification](#)

English