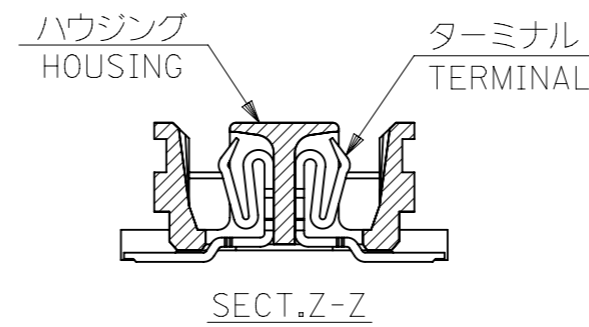
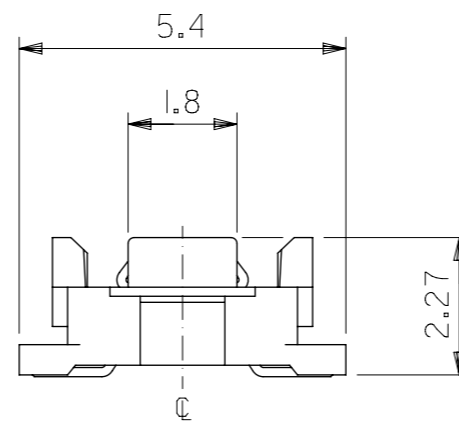


参考基板レイアウト (マウント面)
P.C.BOARD PATTERN
DIMENSION. (REF.)
(MOUNTING AREA)



トレードマーク
TRADE MARK

MXJ

X

注記 NOTES:

1. 使用材料 MATERIAL
ハウジング : LCPガラス入り (白), UL94V-0
HOUSING : LCP(G.F.)(COLOR:WHITE), UL94V-0
ターミナル : リン青銅 (t=0.15)
TERMINAL: PHOSPHOR BRONZE (t=0.15)
2. メッキ仕様 PLATING
全体仕上げ : 金メッキ 0.1 MICROMETER MIN.
ALL OVER : GOLD 0.1 MICROMETER MIN.
下地メッキ : ニッケルメッキ 1.5 MICROMETER MIN.
UNDER PLATING : NICKEL 1.5 MICROMETER MIN.
3. 基準面 X からのソルダーテールの半田付け面のズレ量は、上方向 0 下方向 0.15MAX. とする。
MISALIGNMENT OF SOLDER TAIL FROM X : UPPER DIRECTION 0, LOWER DIRECTION 0.15 MAX.

- 4 (全極数/2) = 偶数の場合に適用。
APPLY FOR (CIRCUIT/2)=EVEN.
5. 嵌合相手 : 53748シリーズ (嵌合高さ = 3mm)、53916シリーズ (嵌合高さ = 4mm)、501920シリーズ (嵌合高さ = 4mm)
MATE WITH: 53748 SERIES (HEIGHT = 3mm), 53916 SERIES (HEIGHT = 4mm), AND 501920 SERIES (HEIGHT = 4mm)
6. テール平坦度は、0.1MAX.
TAIL COPLANARITY TO BE 0.1MAX.
- 7 肉抜き形状は40極以上に存在。
THESE CORE-OUT EXIST FOR 40 CIRCUIT AND OVER.

23.8	20.2	19.5	52991-0808	80
21.3	17.7	17.0	52991-0708	70
18.8	15.2	14.5	52991-0608	60
16.3	12.7	12.0	52991-0508	50
13.8	10.2	9.5	52991-0408	40
11.3	7.7	7.0	52991-0308	30
8.8	5.2	4.5	52991-0208	20
C	B	A	EMBOSSSED TAPE ORDER No.	極数 CIRCUIT
CONNECTOR SERIES No.			52991-***0	

THIS DRAWING CONTAINS INFORMATION THAT IS PROPRIETARY TO MOLEX ELECTRONIC TECHNOLOGIES, LLC AND SHOULD NOT BE USED WITHOUT WRITTEN PERMISSION

DIMENSION UNITS: mm SCALE: 8:1

GENERAL TOLERANCES (UNLESS SPECIFIED):
ANGULAR TOL ± 30°
4 PLACES ± 0.2
3 PLACES ± 0.25
2 PLACES ± 0.3
1 PLACE ±
0 PLACES ±

ANGULAR ±3°
DRAFT WHERE APPLICABLE MUST REMAIN WITHIN DIMENSIONS

THIRD ANGLE PROJECTION

EC NO: 642297
DRWN: SUDAYGUNAGI 2020/08/19
CHK'D: HSHIMOYAMA 2020/11/30
APPR: SHOSHIKAWA 2020/11/30

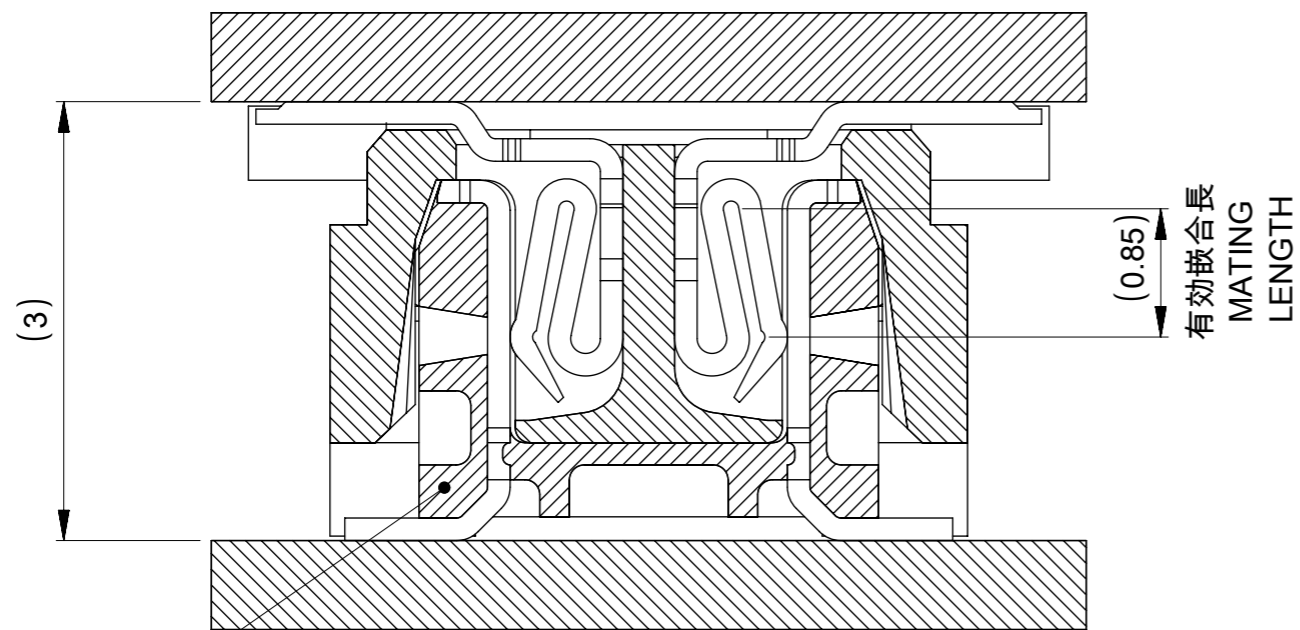
INITIAL REVISION:
DRWN: NAIDA 2005/08/31
APPR: NUKITA 2005/09/09

DOCUMENT NUMBER: SD-52991-004
DOC TYPE: PSD
DOC PART: 001
REVISION: G

PRODUCT CUSTOMER DRAWING

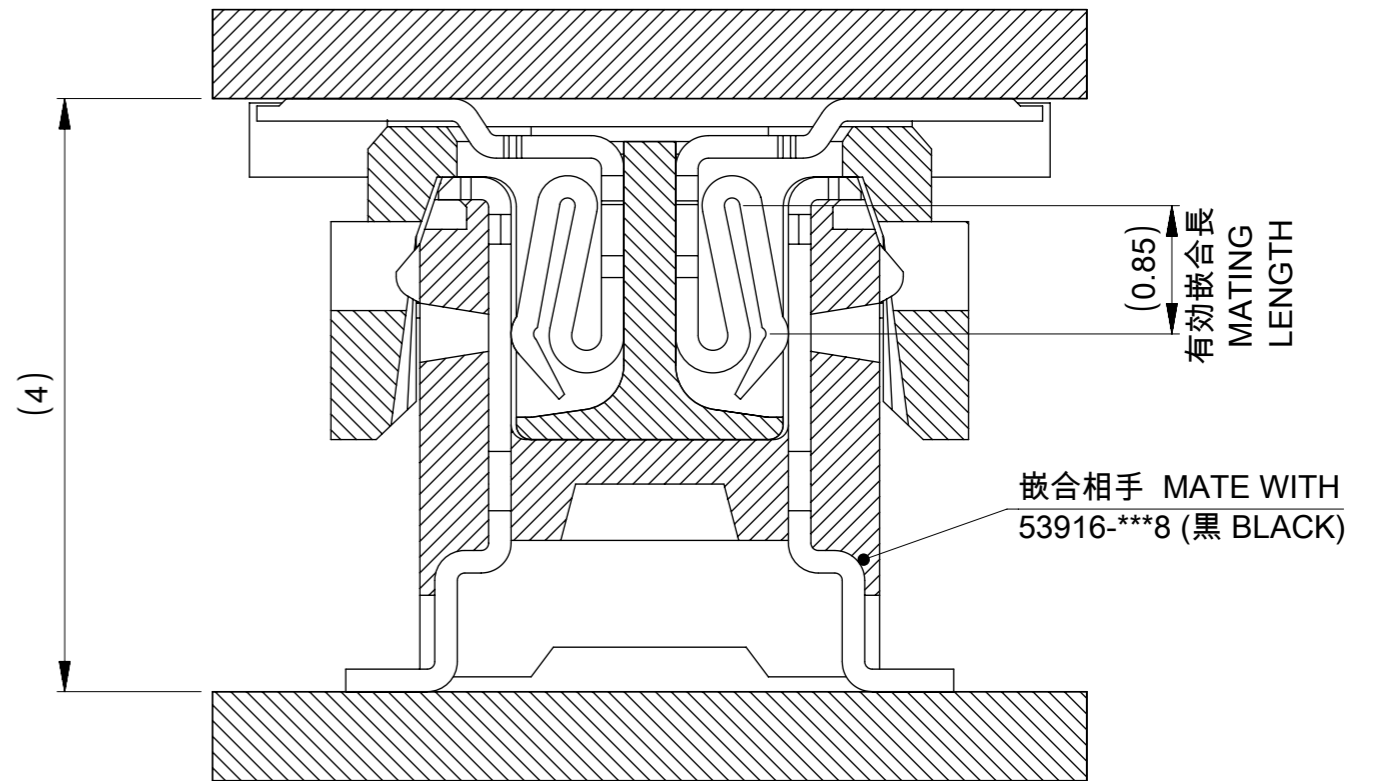
MOLEX
0.5 MM PITCH B-TO-B CONN.
HEIGHT = 3 & 4 RECEPTACLE

DRAWING: A3-SIZE
SERIES: 52991
MATERIAL NUMBER: SEE TABLE
CUSTOMER: GENERAL
SHEET NUMBER: 1 OF 2



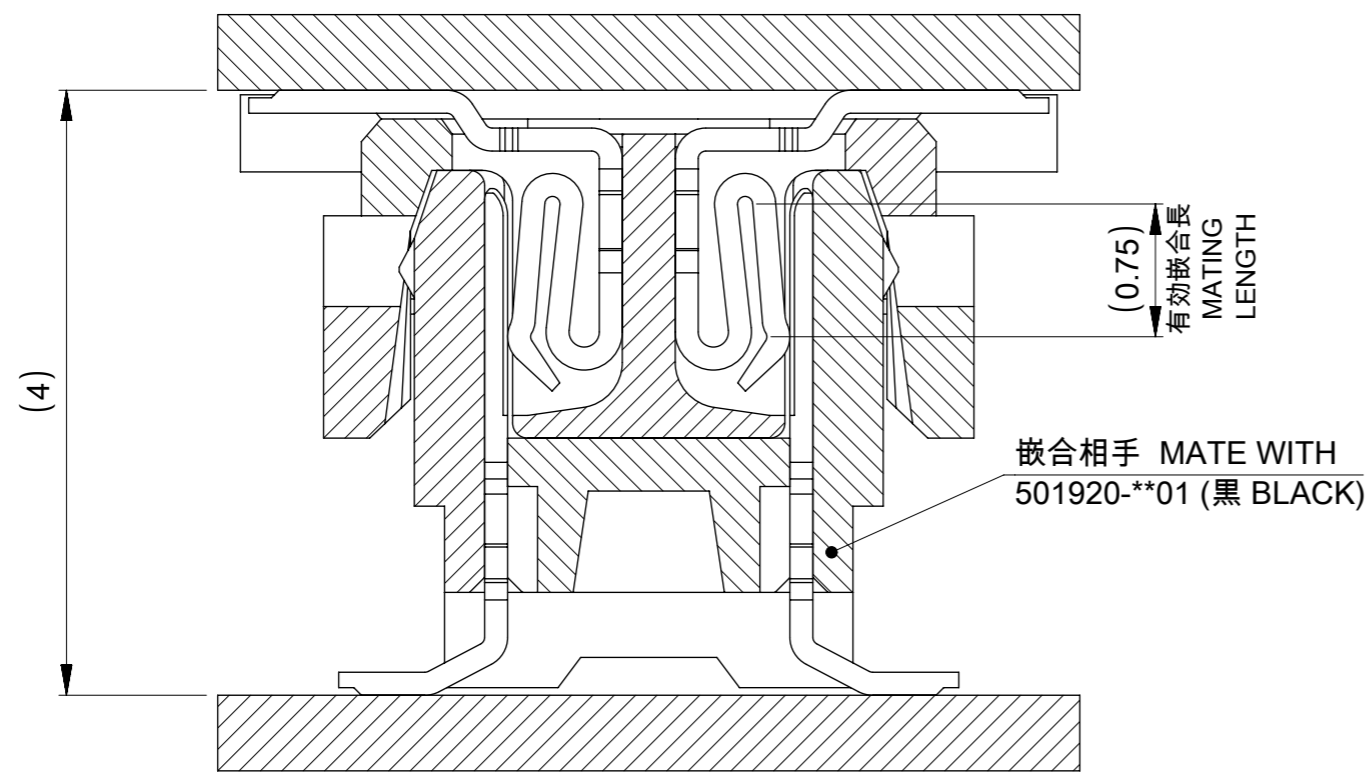
嵌合相手 MATE WITH
53748-***8 (白 WHITE)
53748-***4 (白 WHITE)

嵌合断面図 (参考)
MATED DRAWING (REF.)



嵌合相手 MATE WITH
53916-***8 (黒 BLACK)

嵌合断面図 (参考)
MATED DRAWING (REF.)

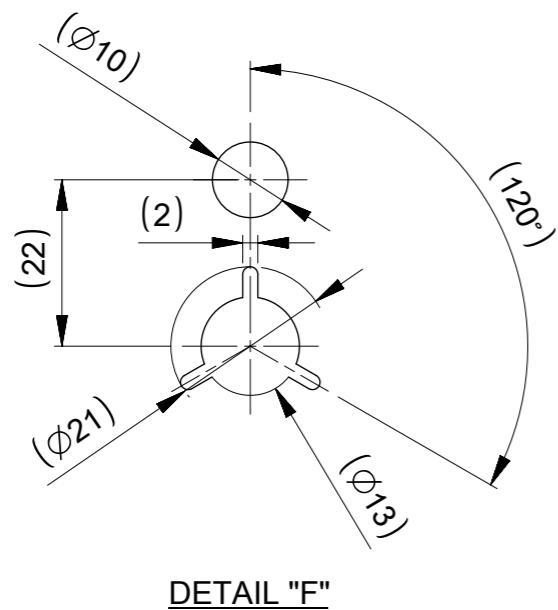
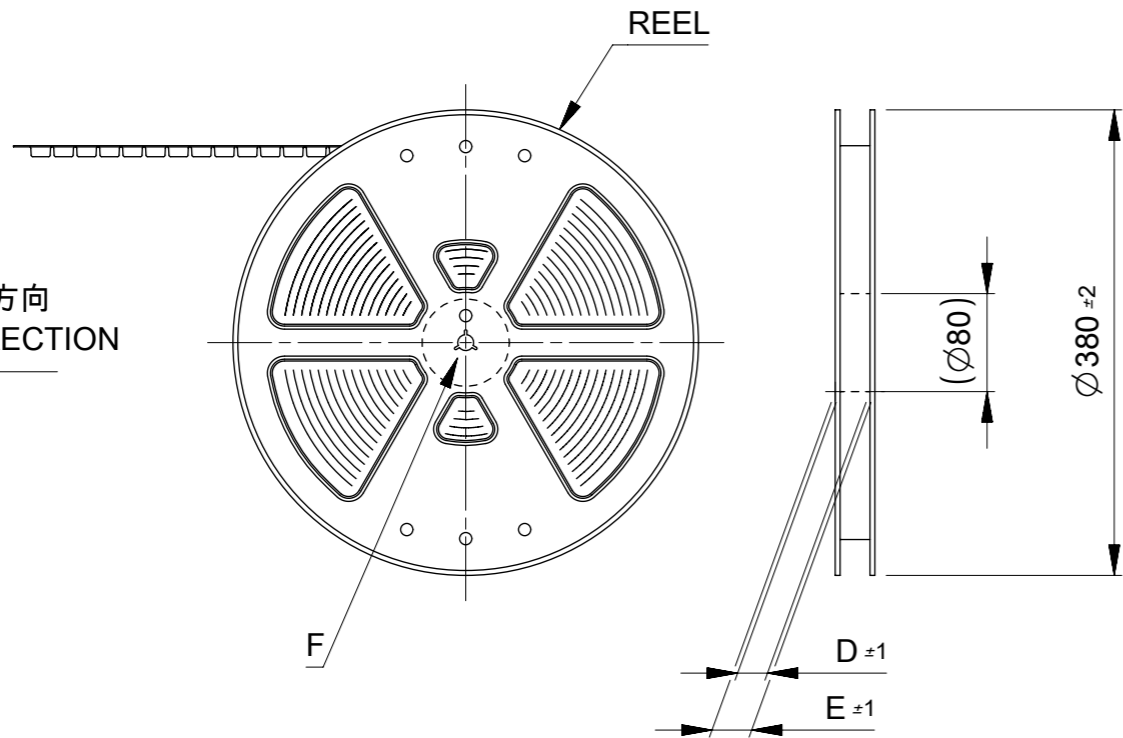


嵌合相手 MATE WITH
501920-**01 (黒 BLACK)

嵌合断面図 (参考)
MATED DRAWING (REF.)

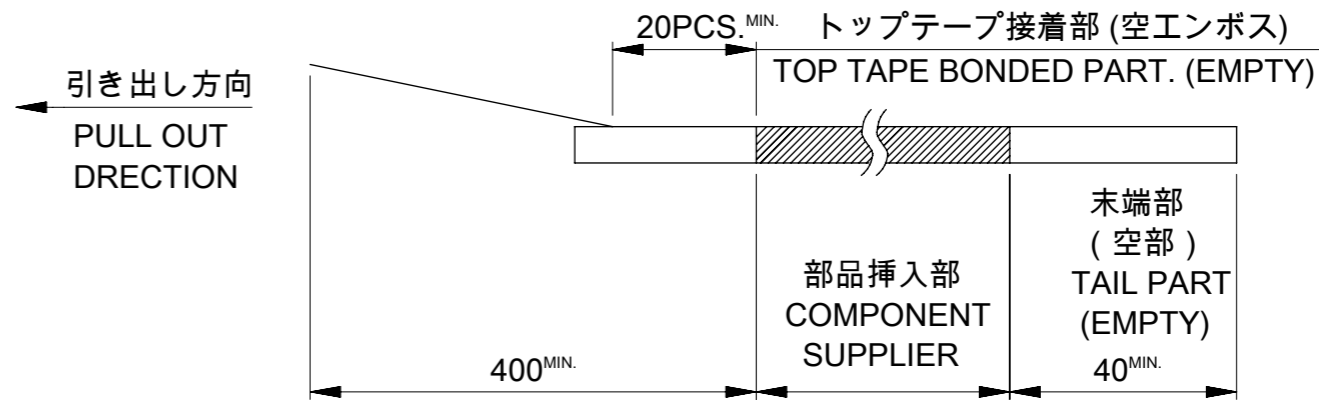
THIS DRAWING CONTAINS INFORMATION THAT IS PROPRIETARY TO MOLEX ELECTRONIC TECHNOLOGIES, LLC AND SHOULD NOT BE USED WITHOUT WRITTEN PERMISSION		CURRENT REV DESC: REVISED		molex	
0.5 MM PITCH B-TO-B CONN. HEIGHT = 3 & 4 RECEPTACLE		EC NO: 642297			
GENERAL TOLERANCES (UNLESS SPECIFIED)		DRWN: SUDAYGUNAGI		2020/08/19	
ANGULAR TOL ± 30°		CHK'D: HSHIMOYAMA		2020/11/30	
4 PLACES ± 0.2		APPR: SHOSHIKAWA		2020/11/30	
3 PLACES ± 0.25		INITIAL REVISION:		DOCUMENT NUMBER	
2 PLACES ± 0.3		DRWN: NAIDA		SD-52991-004	
1 PLACE ±		APPR: NUKITA		PSD 001 G	
0 PLACES ±		THIRD ANGLE PROJECTION		MATERIAL NUMBER	
DRAFT WHERE APPLICABLE MUST REMAIN WITHIN DIMENSIONS		DRAWING		CUSTOMER	
DRAFT WHERE APPLICABLE MUST REMAIN WITHIN DIMENSIONS		A3-SIZE		GENERAL	
DRAFT WHERE APPLICABLE MUST REMAIN WITHIN DIMENSIONS		SERIES		SHEET NUMBER	
DRAFT WHERE APPLICABLE MUST REMAIN WITHIN DIMENSIONS		52991		2 OF 2	

引き出し方向
PULL OUT DIRECTION



NOTES

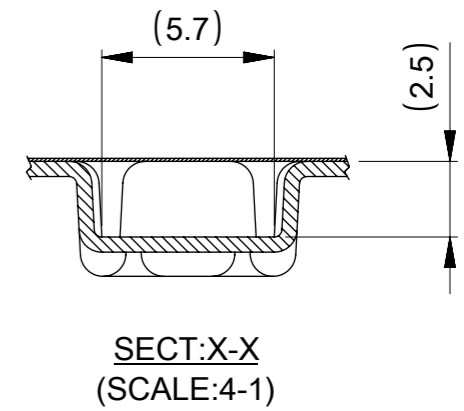
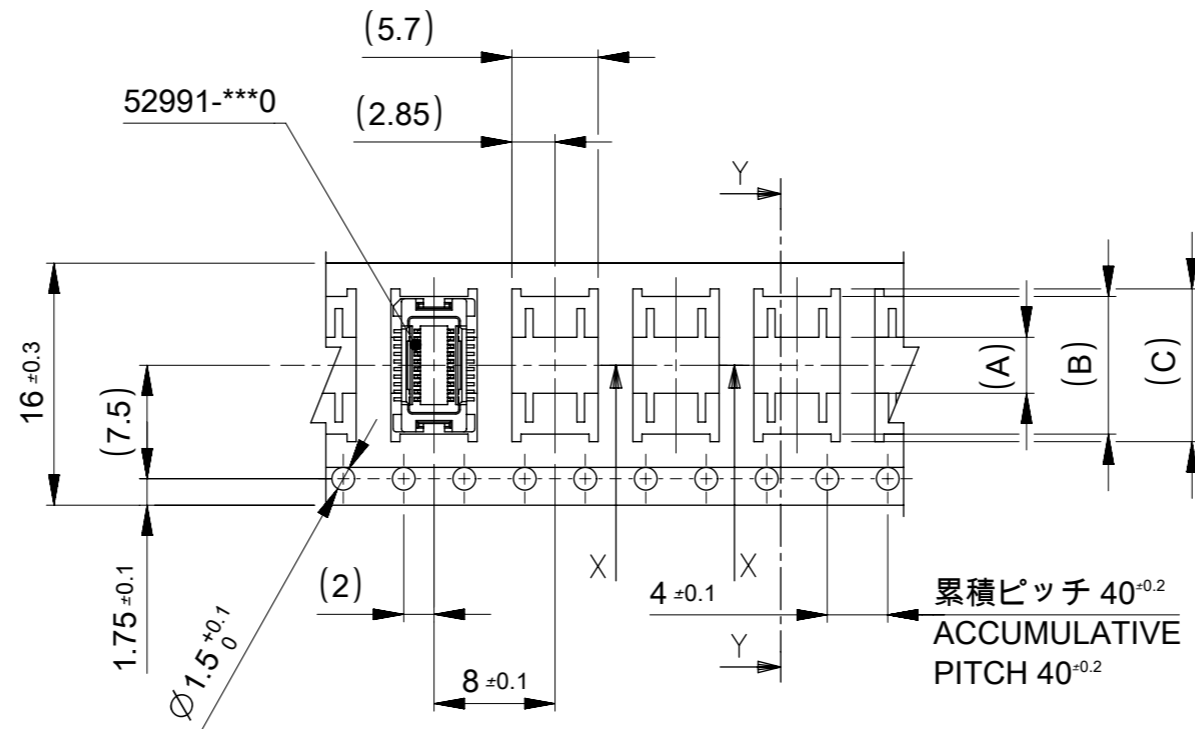
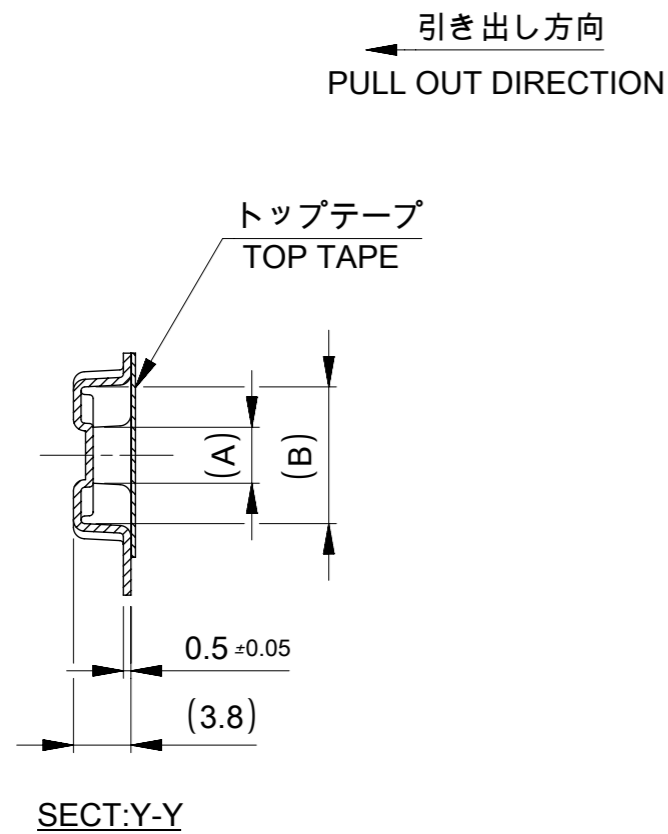
- 製品詳細寸法については図面 SD-52991-004を参照下さい。
DETAIL DIMENSION, SEE SD-52991-004
- 梱包数量 : 3000個 / リール
NUMBER OF CONNECTORS : 3000PCS/REEL
- リードテープ長さ LEAD TAPE LENGTH



- カバーテープの剥離強度については、IEC60286-3に準拠
COVER TAPE PEEL FORCE IS DEFINED BY IEC60286-3.
- 材料 (MATERIAL)
キャリアテープ (CARRIER TAPE) : ポリプロピレン (POLYPROPYLENE)
トップテープ (TOPTAPE) : PET , PE , PEF
リール(REEL) : ポリスチレン (PS) <リサイクル材を含む>
POLYSTYREN(PS) <RECYCLE MATERIAL CONTAINED>

THIS DRAWING CONTAINS INFORMATION THAT IS PROPRIETARY TO MOLEX ELECTRONIC TECHNOLOGIES, LLC AND SHOULD NOT BE USED WITHOUT WRITTEN PERMISSION

DIMENSION UNITS	SCALE	CURRENT REV DESC: REVISED		molex		
mm	---					
GENERAL TOLERANCES (UNLESS SPECIFIED)		ANGULAR TOL ± 30°		0.5 MM PITCH B-TO-B CONN. HEIGHT = 3 & 4 RECEPTACLE EMBOSS TAPE PACKAGE		
4 PLACES ± 0.2		3 PLACES ± 0.25		PRODUCT CUSTOMER DRAWING		
10 ^{UNDER} ± 0.2		2 PLACES ± 0.3		DOCUMENT NUMBER		
10 ^{OVER} 30 ^{UNDER} ± 0.25		1 PLACE ±		SD-52991-005		
30 ^{OVER} ± 0.3		0 PLACES ±		DOC TYPE DOC PART REVISION		
ANGULAR ± 3°		DRAFT WHERE APPLICABLE MUST REMAIN WITHIN DIMENSIONS		PSD 001 E		
DRAFT WHERE APPLICABLE MUST REMAIN WITHIN DIMENSIONS		THIRD ANGLE PROJECTION		SHEET NUMBER		
		DRAWING		1 OF 6		
		SERIES				
		MATERIAL NUMBER				
		CUSTOMER				
		A3-SIZE				
		52991				
		SEE SHEET 2-6				
		GENERAL				

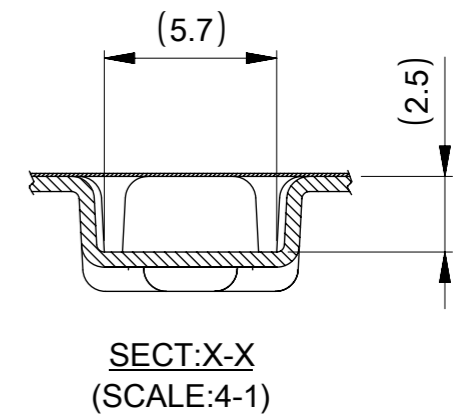
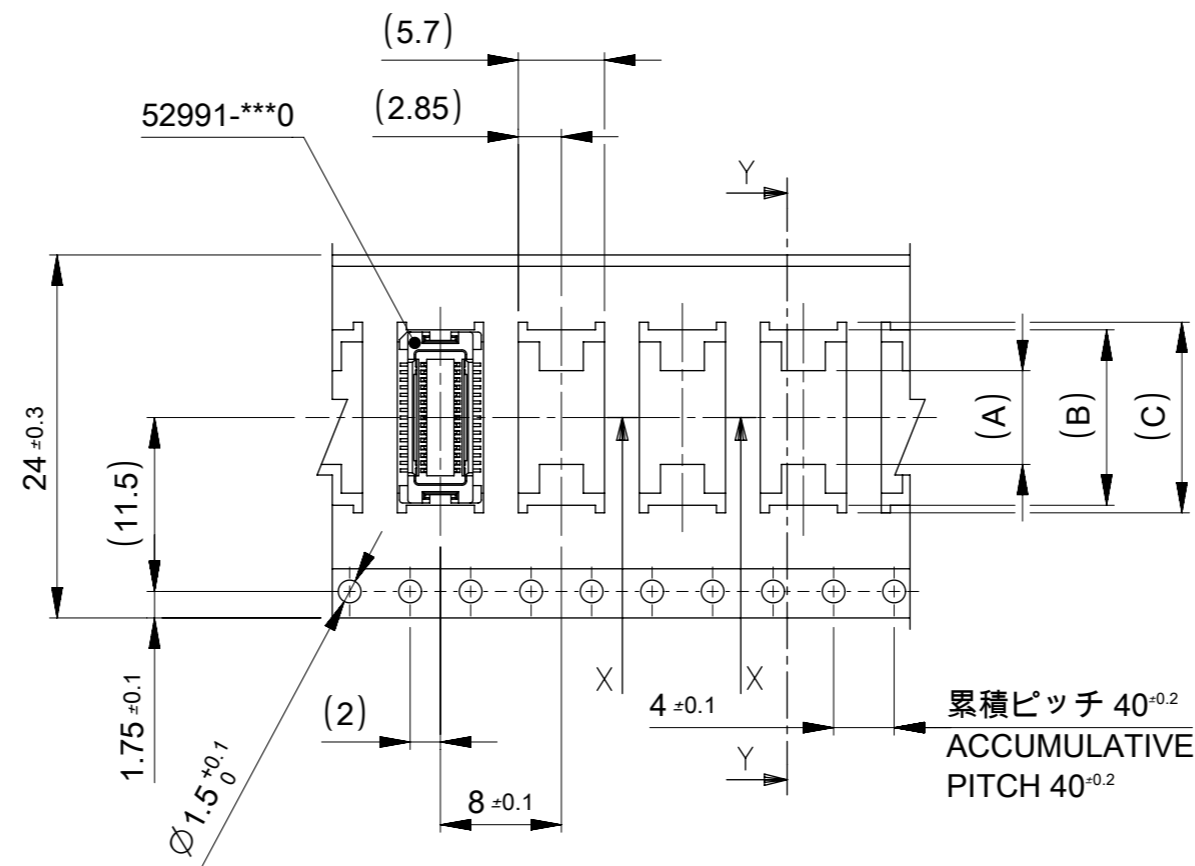
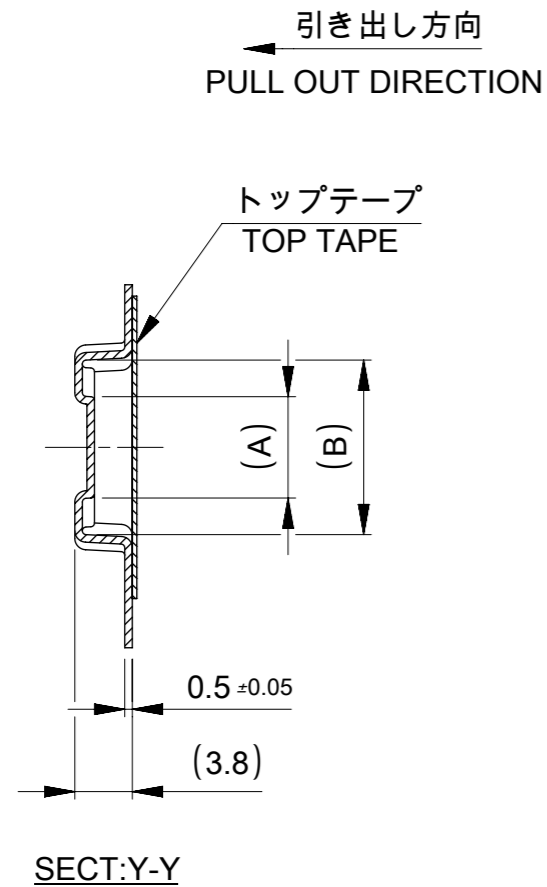


16mm 幅キャリアテープ
16mm WIDTH CARRIER TAPE

16	21.4	17.4	10.1	9.1	3.7	52991-0208	20
キャリアテープ幅 CARRIER TAPE WIDTH	E	D	(C)	(B)	(A)	MATERIAL NO.	極数 CKT.

THIS DRAWING CONTAINS INFORMATION THAT IS PROPRIETARY TO MOLEX ELECTRONIC TECHNOLOGIES, LLC AND SHOULD NOT BE USED WITHOUT WRITTEN PERMISSION

DIMENSION UNITS mm	SCALE ---	CURRENT REV DESC: REVISED					
GENERAL TOLERANCES (UNLESS SPECIFIED)		<p>molex</p> <p>0.5 MM PITCH B-TO-B CONN. HEIGHT = 3 & 4 RECEPTACLE EMBOSS TAPE PACKAGE</p> <p>PRODUCT CUSTOMER DRAWING</p>					
ANGULAR TOL ± 30°							
GENERAL TOLERANCES (UNLESS SPECIFIED)		EC NO: 649457		2020/08/19		DOCUMENT NUMBER	
4 PLACES ± 0.2		DRWN: SUDAYGUNAGI		2020/12/02		SD-52991-005	
3 PLACES ± 0.25		CHK'D: HSHIMOYAMA		2020/12/02		DOC TYPE DOC PART REVISION	
2 PLACES ± 0.3		APPR: SHOSHIKAWA		2020/12/02		PSD 001 E	
1 PLACE ±		INITIAL REVISION:		1995/10/17		MATERIAL NUMBER	
0 PLACES ±		DRWN: T. NIITSU		2001/01/31		CUSTOMER	
DRAFT WHERE APPLICABLE MUST REMAIN WITHIN DIMENSIONS		THIRD ANGLE PROJECTION		DRAWING		SHEET NUMBER	
DRAFT WHERE APPLICABLE MUST REMAIN WITHIN DIMENSIONS		A3-SIZE		SERIES		2 OF 6	
		52991		SEE TABLE		GENERAL	

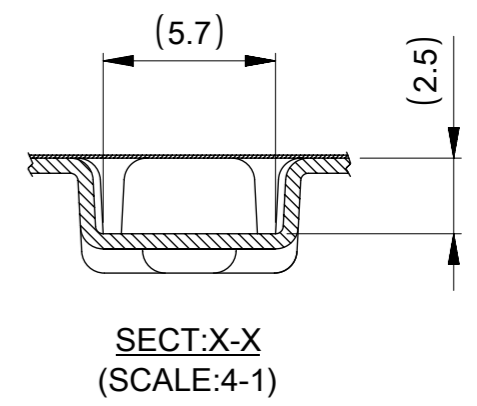
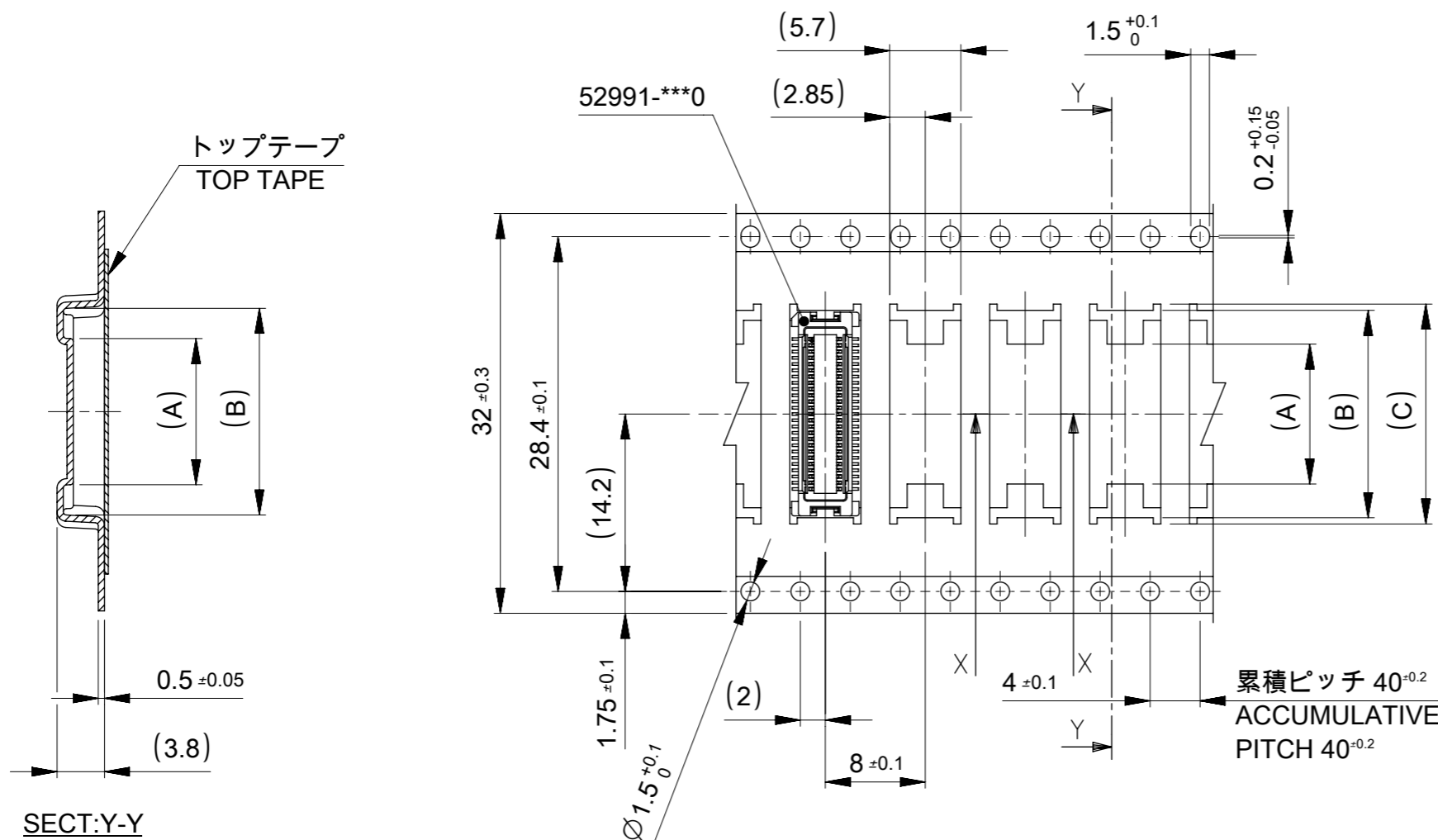


24mm 幅キャリアテープ
24mm WIDTH CARRIER TAPE

24	29.4	25.4	15.1	14.1	7.4	52991-0408	40
			12.6	11.6	4.9	52991-0308	30
キャリアテープ幅 CARRIER TAPE WIDTH	E	D	(C)	(B)	(A)	MATERIAL NO.	極数 CKT.

THIS DRAWING CONTAINS INFORMATION THAT IS PROPRIETARY TO MOLEX ELECTRONIC TECHNOLOGIES, LLC AND SHOULD NOT BE USED WITHOUT WRITTEN PERMISSION							
DIMENSION UNITS mm		SCALE ---		CURRENT REV DESC: REVISED			
GENERAL TOLERANCES (UNLESS SPECIFIED)		ANGULAR TOL ± 30°		molex 0.5 MM PITCH B-TO-B CONN. HEIGHT = 3 & 4 RECEPTACLE EMBOSS TAPE PACKAGE PRODUCT CUSTOMER DRAWING			
4 PLACES ± 0.2		3 PLACES ± 0.25					
10 ^{UNDER} ± 0.2		2 PLACES ± 0.3		EC NO: 649457		2020/08/19	
10 ^{OVER} 30 ^{UNDER} ± 0.25		1 PLACE ±		DRWN: SUDAYGUNAGI		2020/12/02	
30 ^{OVER} ± 0.3		0 PLACES ±		CHK'D: HSHIMYOYAMA		2020/12/02	
ANGULAR ± 3°		DRAFT WHERE APPLICABLE MUST REMAIN WITHIN DIMENSIONS		INITIAL REVISION:		DOCUMENT NUMBER	
DRAFT WHERE APPLICABLE MUST REMAIN WITHIN DIMENSIONS		THIRD ANGLE PROJECTION		DRWN: T. NIITSU		SD-52991-005	
		DRAWING		APPR: M. FUKUSHIMA		DOC TYPE	
		A3-SIZE		1995/10/17		DOC PART	
		SERIES		2001/01/31		REVISION	
		52991		MATERIAL NUMBER		001	
		SEE TABLE		CUSTOMER		E	
		GENERAL		SHEET NUMBER		3 OF 6	

引き出し方向
PULL OUT DIRECTION



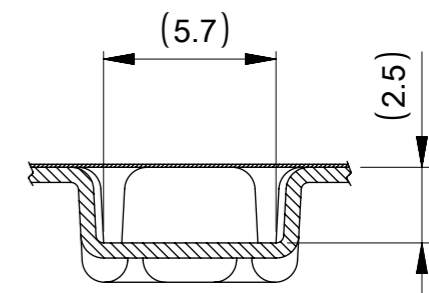
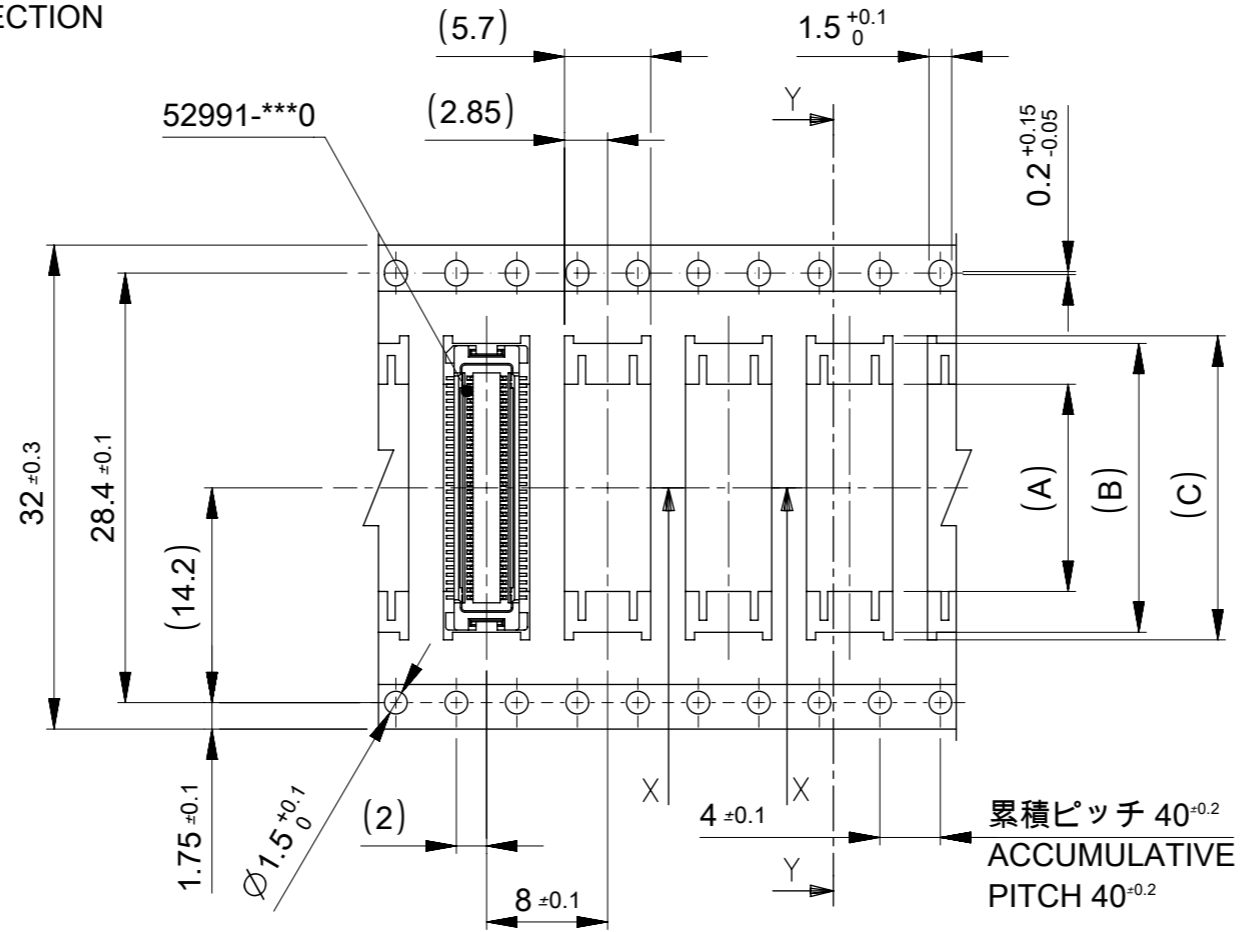
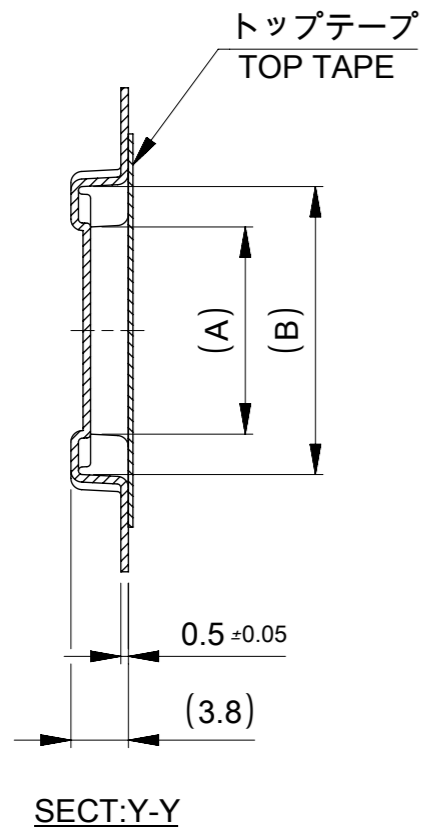
32mm 幅キャリアテープ
32mm WIDTH CARRIER TAPE

32	37.4	33.4	17.6	16.6	11.2	52991-0508	50
キャリアテープ幅 CARRIER TAPE WIDTH	E	D	(C)	(B)	(A)	MATERIAL NO.	極数 CKT.

THIS DRAWING CONTAINS INFORMATION THAT IS PROPRIETARY TO MOLEX ELECTRONIC TECHNOLOGIES, LLC AND SHOULD NOT BE USED WITHOUT WRITTEN PERMISSION

DIMENSION UNITS	SCALE	CURRENT REV DESC: REVISED	
mm	---		
GENERAL TOLERANCES (UNLESS SPECIFIED)		<p>molex</p> <p>0.5 MM PITCH B-TO-B CONN. HEIGHT = 3 & 4 RECEPTACLE EMBOSS TAPE PACKAGE</p> <p>PRODUCT CUSTOMER DRAWING</p>	
ANGULAR TOL	± 30°		
4 PLACES	± 0.2		
3 PLACES	± 0.25		
2 PLACES	± 0.3		
1 PLACE	±	<p>EC NO: 649457</p> <p>DRWN: SUDAYGUNAGI 2020/08/19</p> <p>CHK'D: HSHIMUYAMA 2020/12/02</p> <p>APPR: SHOSHIKAWA 2020/12/02</p>	
0 PLACES	±	<p>INITIAL REVISION:</p> <p>DRWN: T. NIITSU 1995/10/17</p> <p>APPR: M. FUKUSHIMA 2001/01/31</p>	
DRAFT WHERE APPLICABLE MUST REMAIN WITHIN DIMENSIONS		THIRD ANGLE PROJECTION	DRAWING
			A3-SIZE
		SERIES	MATERIAL NUMBER
		52991	SEE TABLE
		CUSTOMER	DOC TYPE
		GENERAL	PSD
		DOC PART	DOC PART
		001	001
		REVISION	REVISION
		E	E
		SHEET NUMBER	SHEET NUMBER
		4 OF 6	4 OF 6

引き出し方向
PULL OUT DIRECTION

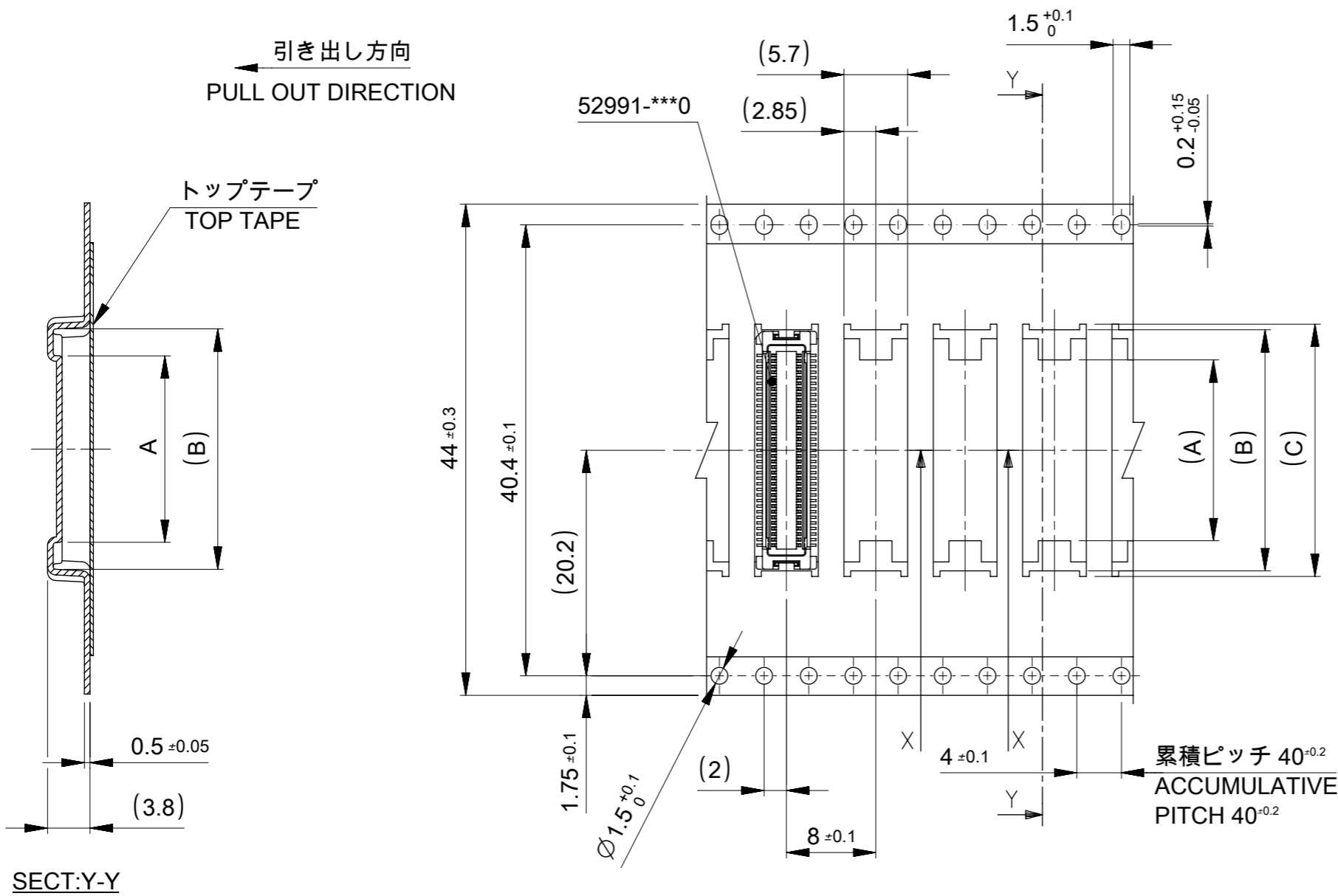


SECT:X-X
(SCALE:4-1)

32mm 幅キャリアテープ
32mm WIDTH CARRIER TAPE

32	37.4	33.4	20.1	19.1	13.7	52991-0608	60
キャリアテープ幅 CARRIER TAPE WIDTH	E	D	(C)	(B)	(A)	MATERIAL NO.	極数 CKT.

THIS DRAWING CONTAINS INFORMATION THAT IS PROPRIETARY TO MOLEX ELECTRONIC TECHNOLOGIES, LLC AND SHOULD NOT BE USED WITHOUT WRITTEN PERMISSION		CURRENT REV DESC: REVISED		molex			
DIMENSION UNITS	SCALE						
mm	---			PRODUCT CUSTOMER DRAWING			
GENERAL TOLERANCES (UNLESS SPECIFIED)		GENERAL TOLERANCES (UNLESS SPECIFIED)		EC NO: 649457		DOCUMENT NUMBER	
ANGULAR TOL ± 30°		ANGULAR TOL ± 30°		DRWN: SUDAYGUNAGI		DOC TYPE	
4 PLACES ± 0.2		4 PLACES ± 0.2		2020/08/19		DOC PART	
3 PLACES ± 0.25		3 PLACES ± 0.25		CHK'D: HSHIMYOYAMA		REVISION	
2 PLACES ± 0.3		2 PLACES ± 0.3		APPR: SHOSHIKAWA		SD-52991-005	
1 PLACE ±		1 PLACE ±		INITIAL REVISION:		PSD 001 E	
0 PLACES ±		0 PLACES ±		DRWN: T. NIITSU		1995/10/17	
				APPR: M. FUKUSHIMA		2001/01/31	
DRAFT WHERE APPLICABLE MUST REMAIN WITHIN DIMENSIONS		DRAFT WHERE APPLICABLE MUST REMAIN WITHIN DIMENSIONS		THIRD ANGLE PROJECTION		MATERIAL NUMBER	
				DRAWING		CUSTOMER	
				A3-SIZE		GENERAL	
				SERIES		SHEET NUMBER	
				52991		5 OF 6	



44mm 幅キャリアテープ
44mm WIDTH CARRIER TAPE

44	49.4	45.4	25.1	24.1	18.7	52991-0808	80		
			22.6	21.6	16.2	52991-0708	70		
キャリアテープ幅 CARRIER TAPE WIDTH			E	D	(C)	(B)	(A)	MATERIAL NO.	極数 CKT.

THIS DRAWING CONTAINS INFORMATION THAT IS PROPRIETARY TO MOLEX ELECTRONIC TECHNOLOGIES, LLC AND SHOULD NOT BE USED WITHOUT WRITTEN PERMISSION

DIMENSION UNITS: mm SCALE: ---

GENERAL TOLERANCES (UNLESS SPECIFIED):
 ANGULAR TOL ± 30°
 4 PLACES ± 0.2
 3 PLACES ± 0.25
 2 PLACES ± 0.3
 1 PLACE ±
 0 PLACES ±

GENERAL TOLERANCES (UNLESS SPECIFIED):
 10^{UNDER} ± 0.2
 10^{OVER} 30^{UNDER} ± 0.25
 30^{OVER} ± 0.3

ANGULAR ± 3°
 DRAFT WHERE APPLICABLE MUST REMAIN WITHIN DIMENSIONS

THIRD ANGLE PROJECTION

DRAWING: A3-SIZE

SERIES: 52991

MATERIAL NUMBER: SEE TABLE

CUSTOMER: GENERAL

SHEET NUMBER: 6 OF 6

EC NO: 649457
 DRWN: SUDAYGUNAGI 2020/08/19
 CHK'D: HSHIMYOYAMA 2020/12/02
 APPR: SHOSHIKAWA 2020/12/02

INITIAL REVISION:
 DRWN: T. NIITSU 1995/10/17
 APPR: M. FUKUSHIMA 2001/01/31

DOCUMENT NUMBER: SD-52991-005
 DOC TYPE: PSD
 DOC PART: 001
 REVISION: E

PRODUCT CUSTOMER DRAWING