

(E)

NOTES:

1. MATERIAL:
 - (A). SCREW: SEE LEGEND
 - (B). INSULATOR: PBT, UL94V-0
 - (C). TERMINAL: BRASS, TIN PLATED
2. NUMBER OF CIRCUIT POSITIONS AVAILABLE: 2 THROUGH 15
3. ELECTRICAL RATINGS:
 - (A). MAXIMUM VOLTAGE: 600V
 - (B). MAXIMUM CURRENT: 50A
 - (C). INSULATION RESISTANCE: 500MΩ PER MINUTE
 - (D). DIELECTRIC WITHSTAND VOLTAGE: 2200V AC
4. WIRE RANGE: 8 TO 20 AWG (SOLID OR STRANDED COPPER)
5. RECOMMENDED WIRE STRIP LENGTH: 0.32 IN. (8mm)
6. SCREW TORQUE: 16 LBF. IN. (1.8Nm)
7. OPERATING TEMPERATURE: -40°C TO +120°C

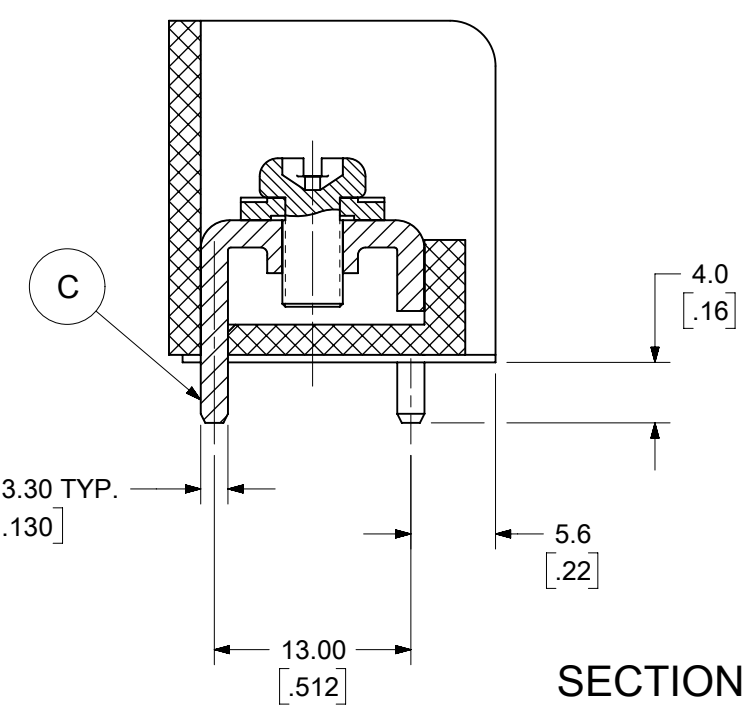
MATERIAL NUMBER LEGEND

389 XX X X XX

INSULATOR STYLE ———— NO. OF CIRCUITS
 69- NO MOUNTING ENDS (02 - 15)

TERMINAL STYLE ———— SCREW STYLE
 0 - PC TAILS 0 - M4 WITH SQUARE WASHER, STEEL, NICKEL PLATED

TERM. STYLE 0 - PC TAILS



SECTION A-A

THIS DRAWING CONTAINS INFORMATION THAT IS PROPRIETARY TO MOLEX ELECTRONIC TECHNOLOGIES, LLC AND SHOULD NOT BE USED WITHOUT WRITTEN PERMISSION									
SYMBOLS		DIMENSION UNITS		SCALE		CURRENT REV DESC: UPDATED NOTES SECTION			
▽ = 0		MM/INCH		2:1		EC NO: 632901			
▽ = 0		GENERAL TOLERANCES (UNLESS SPECIFIED)				DRWN: ABENJAMINLW 2020/01/14			
▽ = 0		4 PLACES ± --- ± ---		MM INCH		CHK'D: DACHAMMER 2020/02/25			
▽ = 0		3 PLACES ± --- ± .005				APPR: JFMURPHY 2020/03/09			
▽ = 0		2 PLACES ± 0.13 ± .01				INITIAL REVISION:			
▽ = 0		1 PLACE ± 0.3 ± ---				DRWN: CLYORK 2006/11/22		DOCUMENT NUMBER	
▽ = 0		0 PLACES ± --- ± ---				APPR: JMACNEIL 2006/12/01		SD-38969-001	
▽ = 0		ANGULAR TOL ± 2°				MATERIAL NUMBER		DOC TYPE DOC PART REVISION	
▽ = 0		DRAFT WHERE APPLICABLE MUST REMAIN WITHIN DIMENSIONS		THIRD ANGLE PROJECTION		DRAWING		SERIES	
▽ = 0				B-SIZE		38969		SEE LEGEND GENERAL MARKET 1 OF 2	

