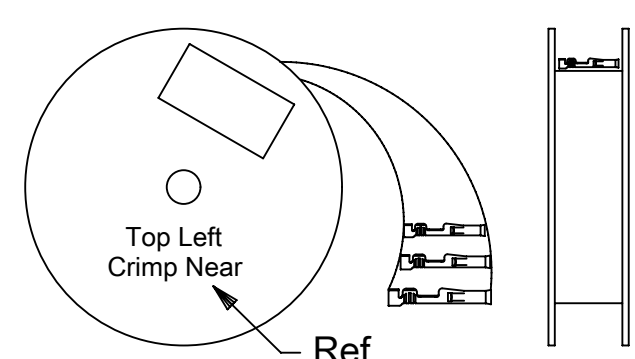
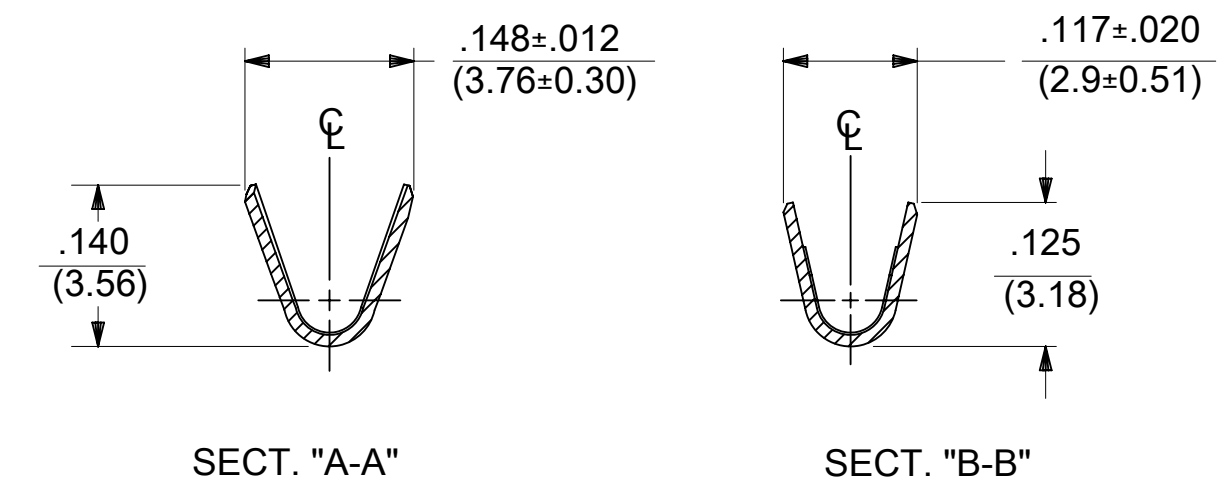
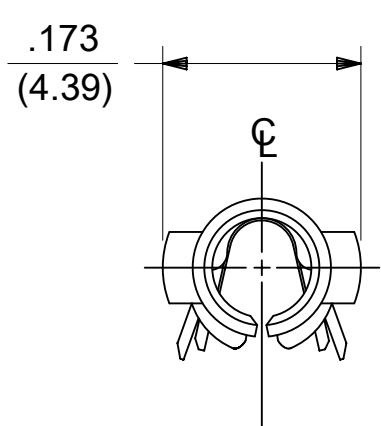
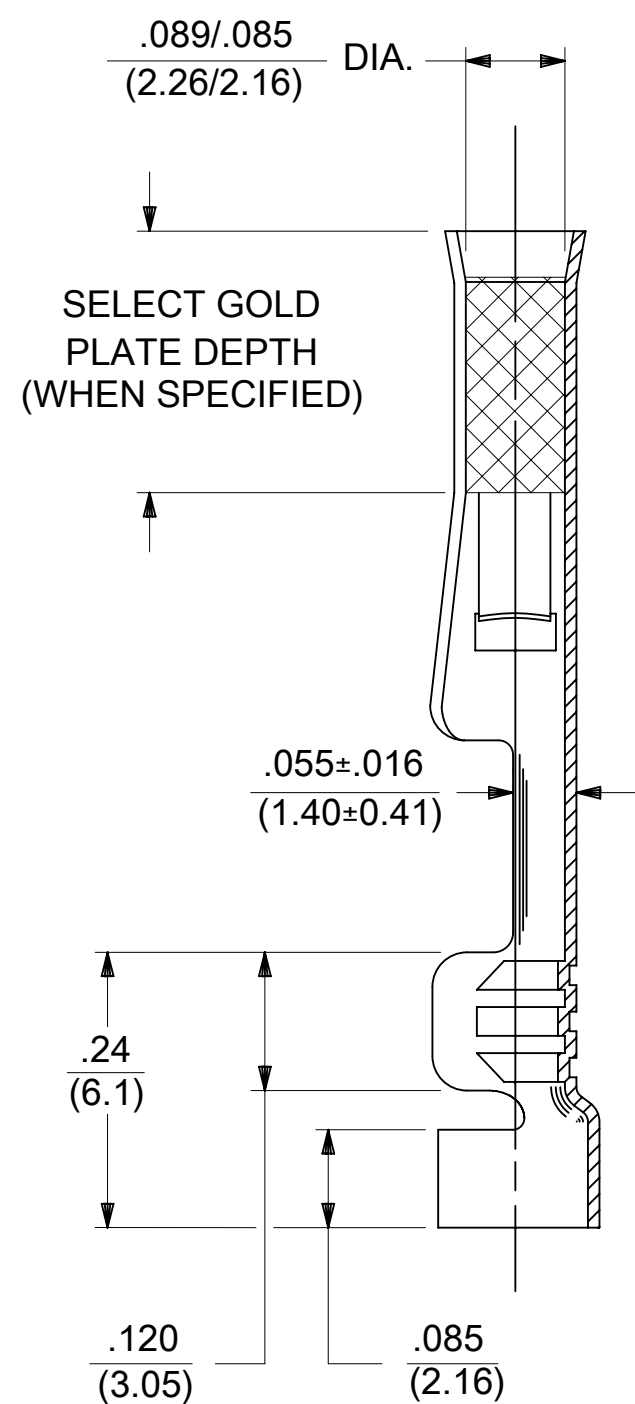
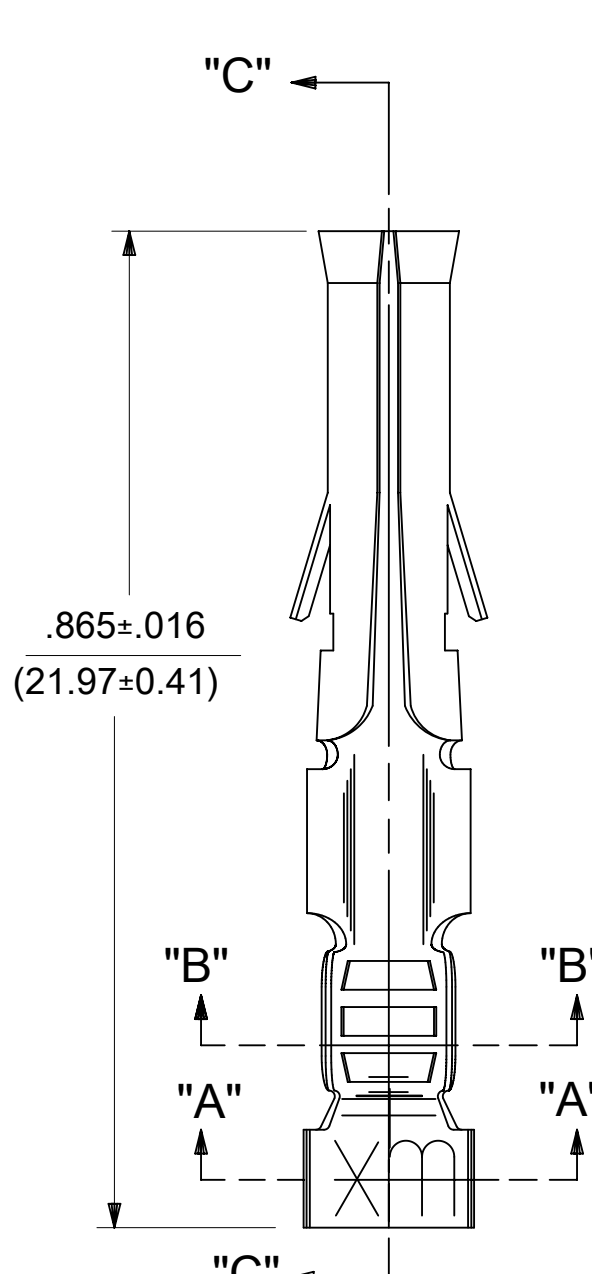


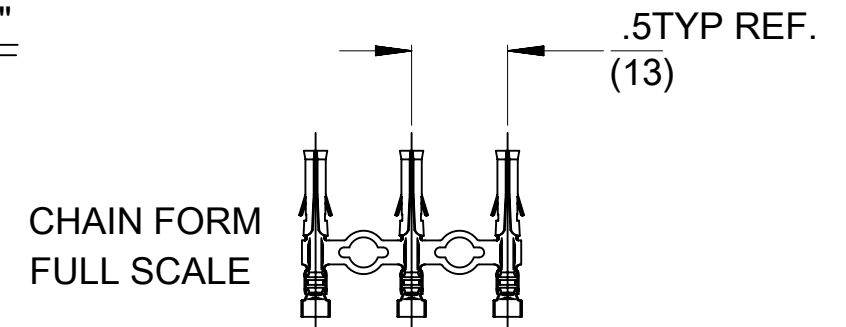
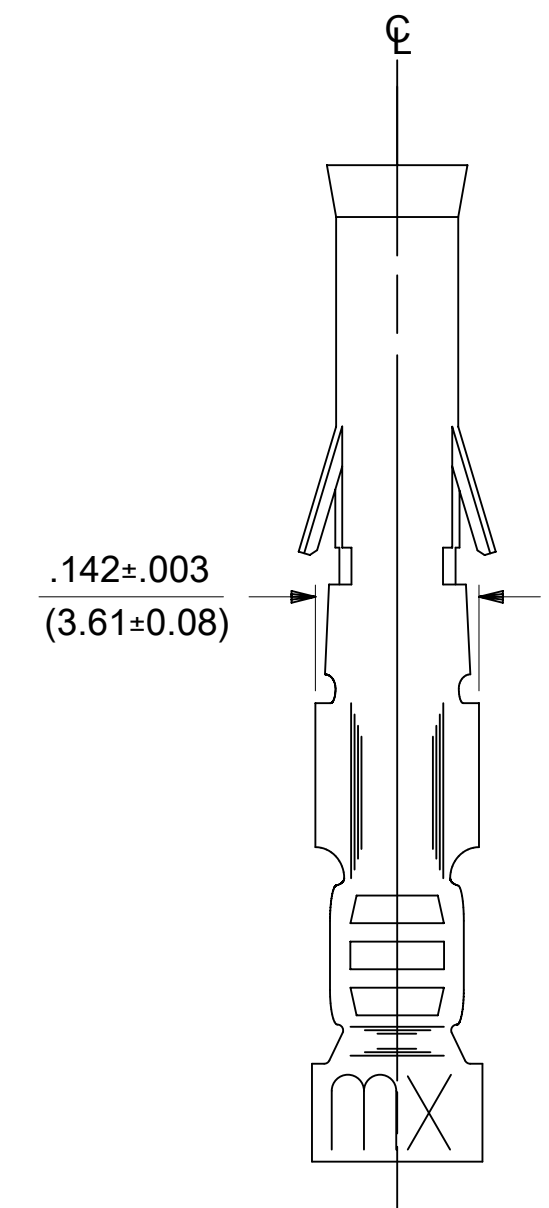
PART NO.	ENG NO.
02-09-1119	1381-A(P901)L
02-09-1117	1381-A(P901)
02-09-5142	1381-A(P550)L
02-09-5143	1381-A(P550)



STANDARD CHAIN



SECT. "C-C"



LEGEND

1381-A(****)*

- P = PREPLATE
- BLANK = POSTPLATE
- FORM
- BLANK = STD. CHAIN
- 1 = STD. CHAIN WITH INTERLEAF PAPER
- L = LOOSE
- FINISH CODE

NOTES:

1. MATERIAL: BRASS
2. FINISH:
 - 901 HOT TIN DIP .000020/(0.00051) MIN.
 - 591 SELECT GOLD PLATE .000050/(0.00127) MIN. IN CONTACT AREA. OVER .000050/(0.00127) MIN. NICKEL OVERALL WITH .000010/(0.00025) MAX. GOLD FLASH OVERALL.
 - 550 SELECT GOLD PLATE .000015/(0.00038) MIN. IN CONTACT AREA, OVER .000030/(0.00076) MIN. NICKEL OVERALL WITH .000010/(0.00025) MAX. GOLD FLASH OVERALL.
3. PRODUCT SPECIFICATION PS-43660-9999.
4. PACKAGING INFORMATION: NOT AVAILABLE
5. TERMINAL FOR USE WITH .093/(2.36) SERIES HOUSINGS AND WILL ACCEPT 18-22 AWG WIRE
6. INSERTION FORCE: 3.5 LBS. MAX. WHEN TERMINAL IS INSERTED INTO AN .093 SERIES HOUSING.
7. TERMINAL RETENTION: 20 LBS. MIN. FROM HOUSING.

THIS DRAWING CONTAINS INFORMATION THAT IS PROPRIETARY TO MOLEX ELECTRONIC TECHNOLOGIES, LLC AND SHOULD NOT BE USED WITHOUT WRITTEN PERMISSION

DIMENSION UNITS IN/MM		SCALE 6:1		CURRENT REV DESC: REMOVED OBSOLETE PART NUMBER AS PER PCN#509450.		molex							
GENERAL TOLERANCES (UNLESS SPECIFIED)				EC NO: 694111						CRIMP TERMINAL, FEMALE .093/(2.36) DIA. 18-22 AWG			
4 PLACES		±	±	DRWN: SUGEEB		2022/01/24		PRODUCT CUSTOMER DRAWING					
3 PLACES		±	± 0.01	CHK'D: GGA		2022/03/31							
2 PLACES		± 0.25	± 0.014	APPR: GGA		2022/03/31		DOCUMENT NUMBER SD-1381-X					
1 PLACE		± 0.35	±	INITIAL REVISION:									
0 PLACES		±	±	DRWN: GEP		1987/11/06		DOC TYPE PSD		DOC PART 001		REVISION BY1	
ANGULAR TOL		± 0.5 °		APPR: RAS		1987/11/06		MATERIAL NUMBER SEE TABLE		CUSTOMER GENERAL MARKET		SHEET NUMBER 1 OF 1	
DRAFT WHERE APPLICABLE MUST REMAIN WITHIN DIMENSIONS				THIRD ANGLE PROJECTION		DRAWING C-SIZE		SERIES 1381					